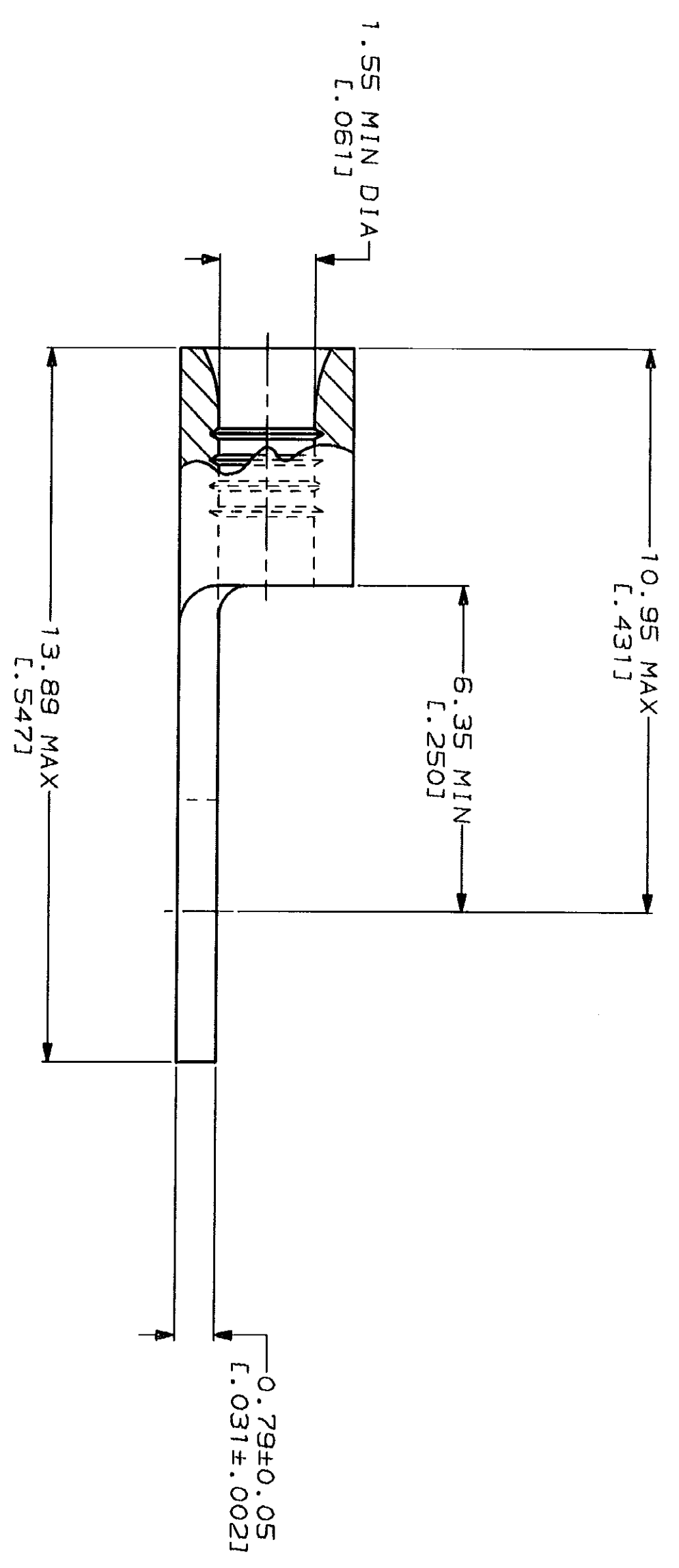
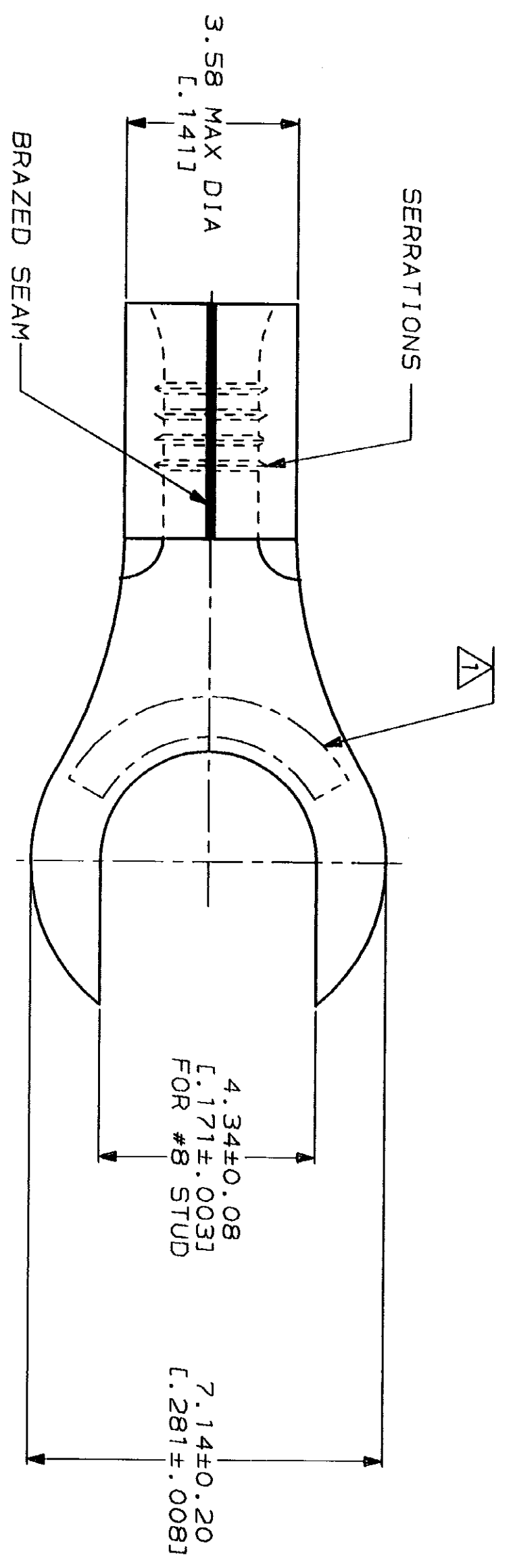


LOC	DIST	ZONE	LTR	DESCRIPTION	DATE	APPD
G	14	F	E	REV & REDRAWN PER 0720-0040-93	4-8-93	18 DAP

**METRIOR**  
 DIMENSIONS LISTED IN MM [ INCHES ]

<b>AMP</b> WIRE RANGE	<b>UL</b> E13288 Listed
22-16 AWG SOLID OR STRANDED	22-16 AWG SOLID OR STRANDED
<b>LR7189</b> Certified	MILITARY P/N AND CLASS
22-16 AWG SOLID OR STRANDED	NOT APPLICABLE

STAMP AMP 22-18\* APPROX AS SHOWN  
 22-16 TERMINALS ARE STAMPED 22-18 IN  
 ACCORDANCE WITH MILITARY SPECIFICATION  
 MIL-T-7928, COMMERCIAL WIRE RANGE IS 22-16



<b>AMP INCORPORATED CUSTOMER SERVICE SYSTEMS</b>		MAX RECOMMENDED OPERATING TEMPERATURE: 170°C MAX
FOR ADDITIONAL PRODUCT INFORMATION OR COPIES OF DRAWINGS AND TECHNICAL DOCUMENTS	PRODUCT INFORMATION CENTER 1-800-522-6752	VOLTAGE RATING: NOT APPLICABLE
FOR APPLICATION TOOLING INFORMATION	TOOLING ASSISTANCE CENTER 1-800-722-1111	WIRE CROSS SECTIONAL AREA RANGE: 0.26-1.65mm² [509-3,260] CIR MILS SOLID OR STRANDED
FOR ORDER ENTRY	1-800-526-5142	FINISH: TIN PLATE 0.00254 [0.001001] MIN THK PER MIL-T-10727

DO NOT SCALE PRINT. UNLESS SPECIFIED DIMENSIONS IN MILLIMETERS TOLERANCES IN MILLIMETERS 1. ±0.25 2. ±0.13 3. ±0.075 ANGLES ±0.5°	DR 4-8-93 TA BRINKMAN
MATERIAL COPPER PER ASTM B-152 ANNEALED	CHK 4-8-93 DA PATTERSON
FINISH: TIN PLATE 0.00254 [0.001001] MIN THK PER MIL-T-10727	APPD 4-8-93 DE MILLER
APPLICATION SPEC	APPD 4-8-93 JL MECKLEY
WEIGHT	

<b>AMP</b> AMP Incorporated Harrisburg, PA 17105-3608	323129 PART NO
TERMINAL, SLOTTED RING TONGUE, SOLISTRAND™	00779 DRAWING NO
SIZE: 00779	SCALE: 10:1
CAGE CODE: 00779	DRG NO: 323129
SCALE: 10:1	SHEET: 1 OF 1