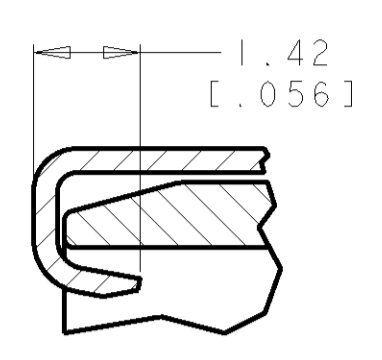
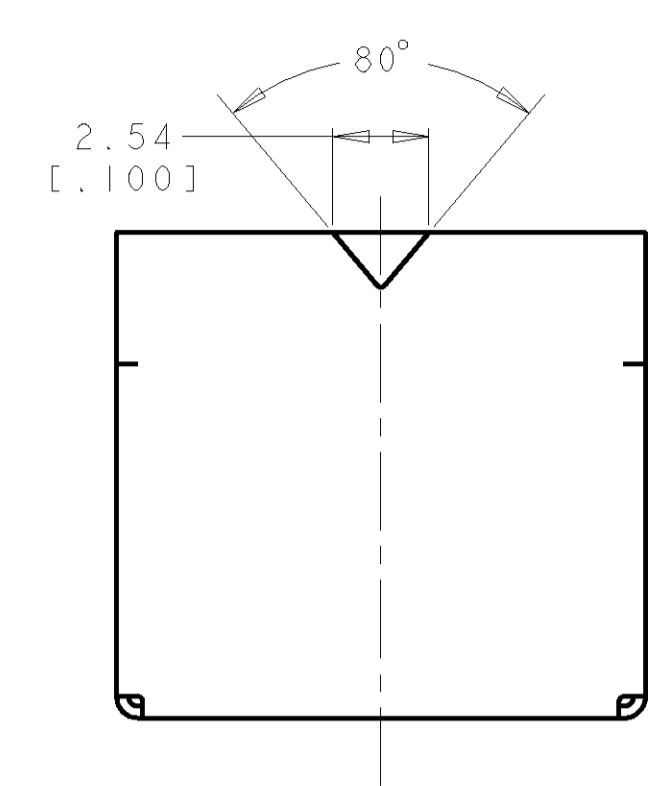
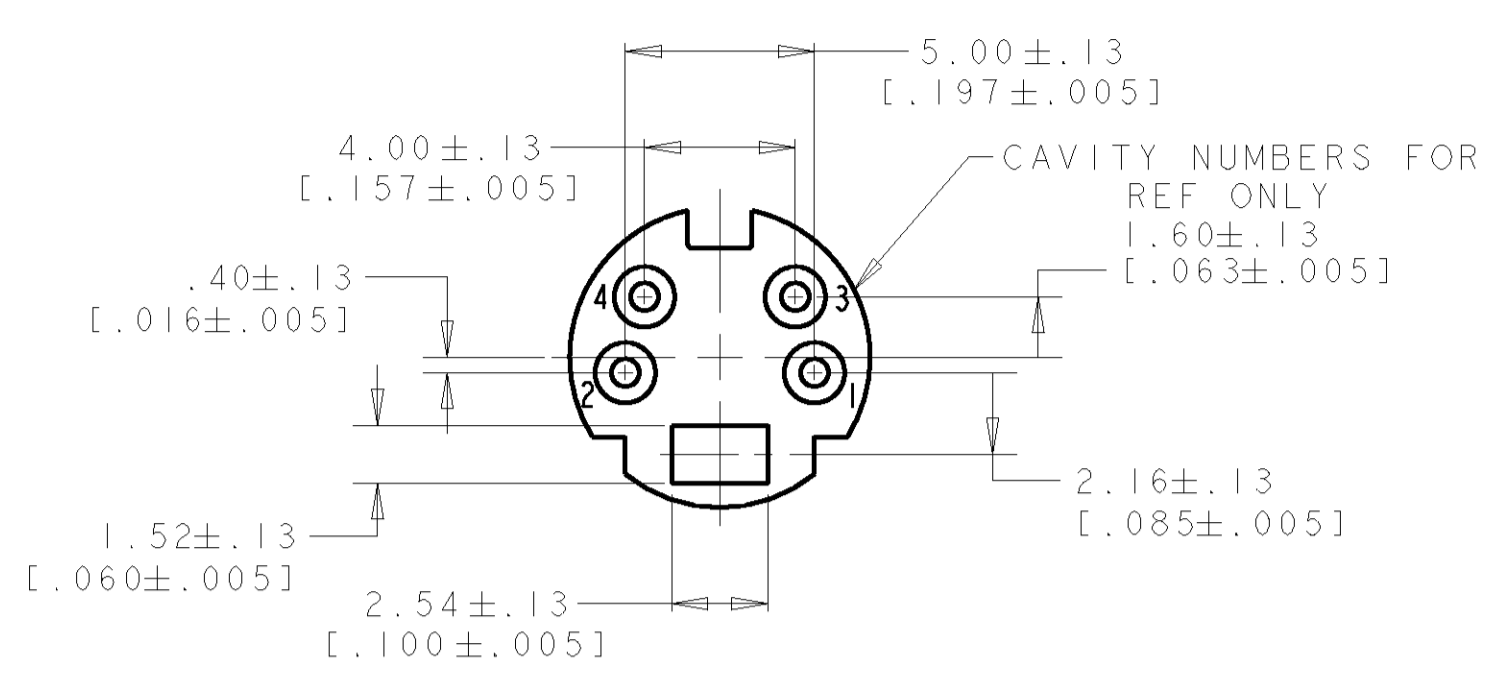


LOC	DIST	REVISIONS			
F	LTR	DESCRIPTION	DATE	DRN	APVD
P		REVISED PER ECO-11-005139	19MAR11	RK	HMR

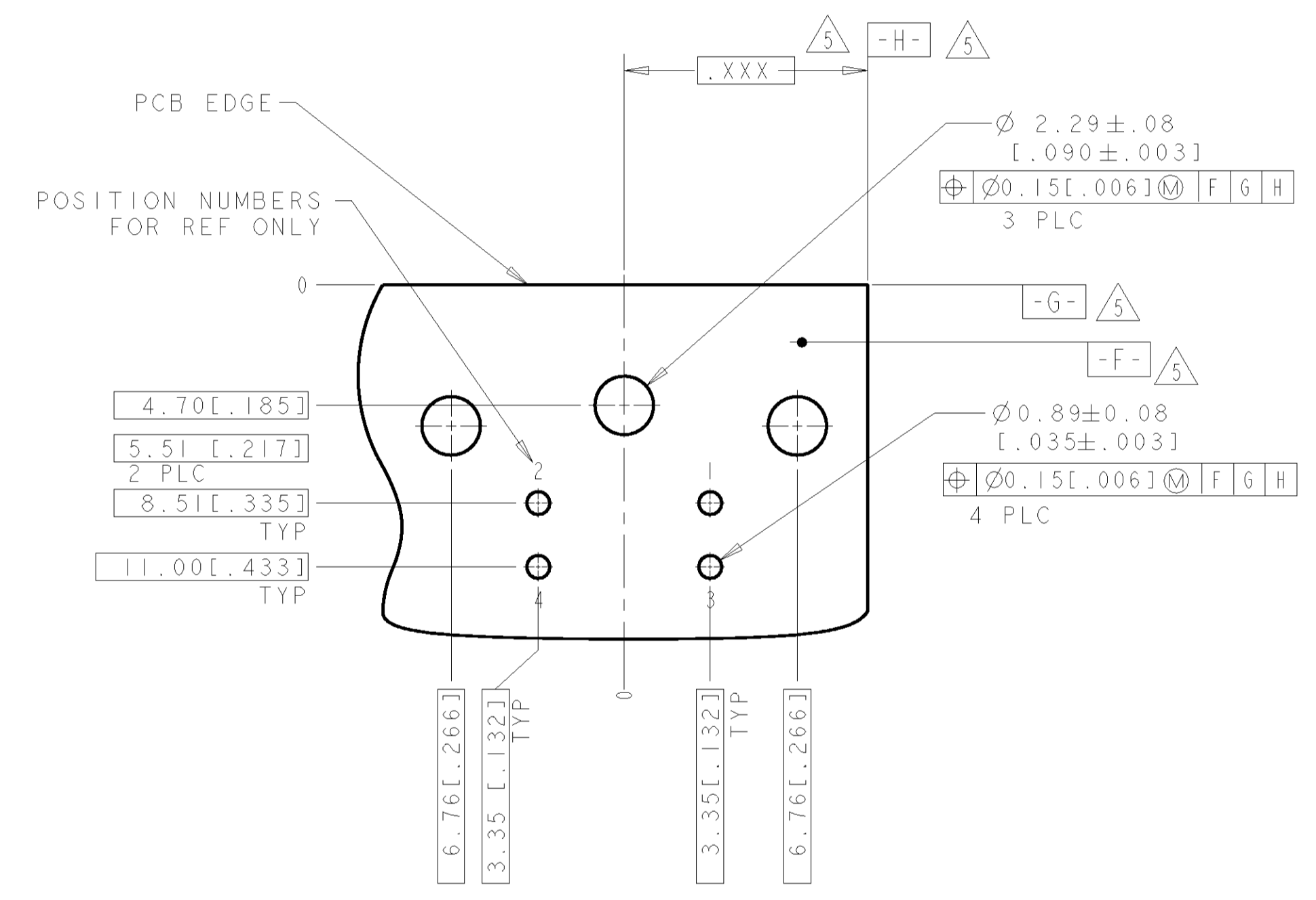
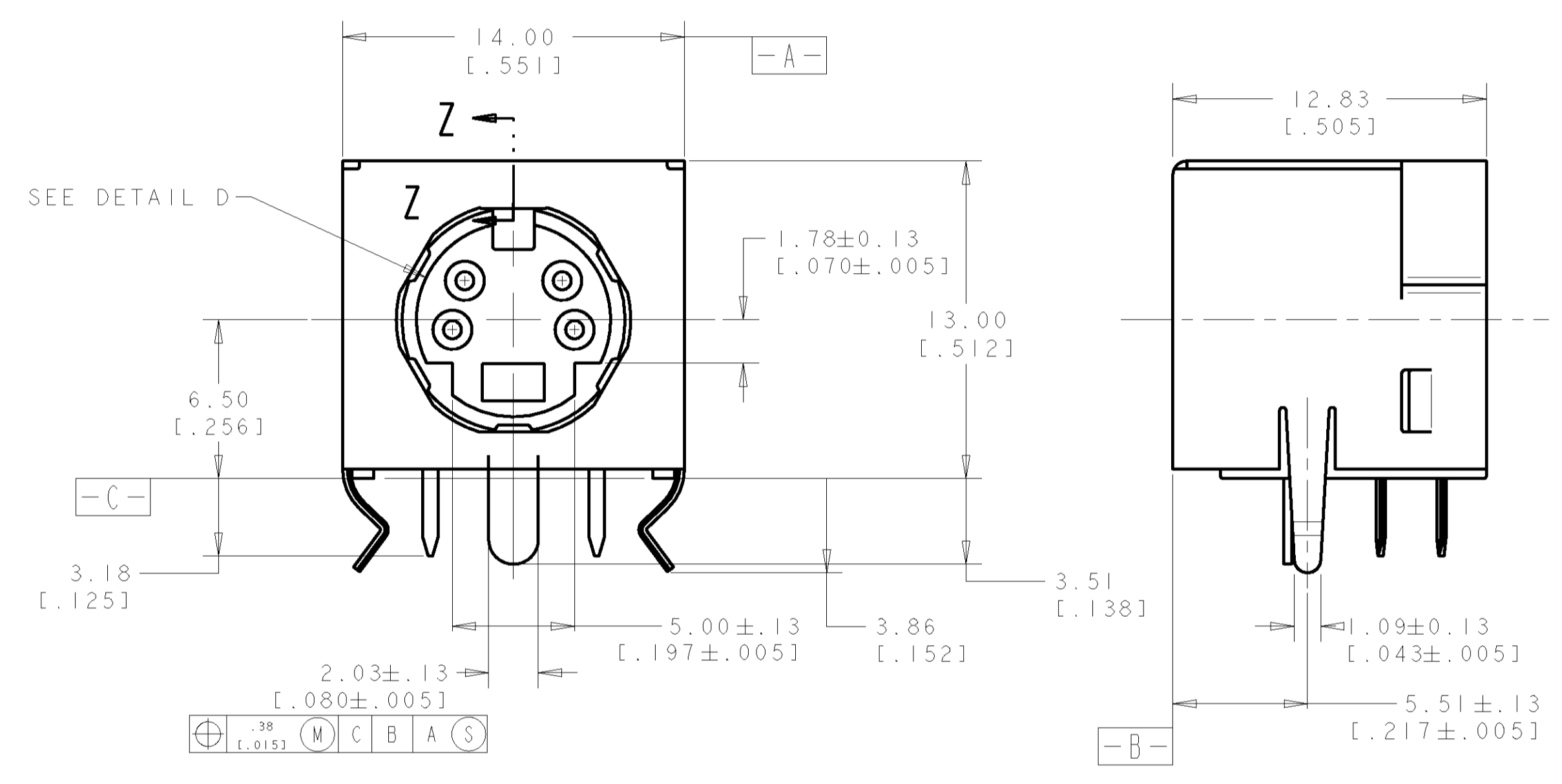


SECTION Z-Z
SCALE 10:1

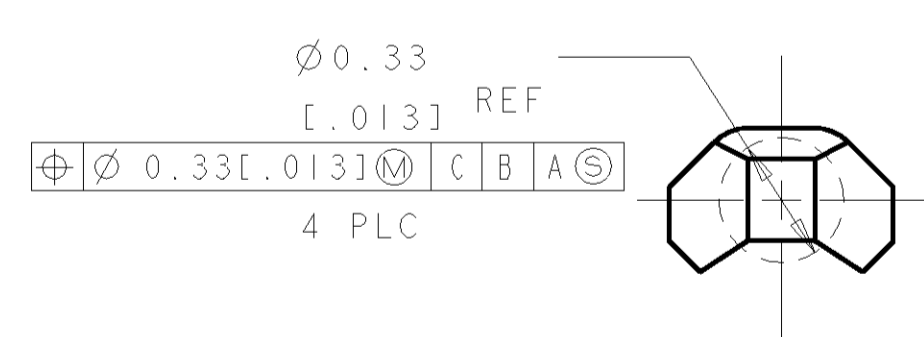
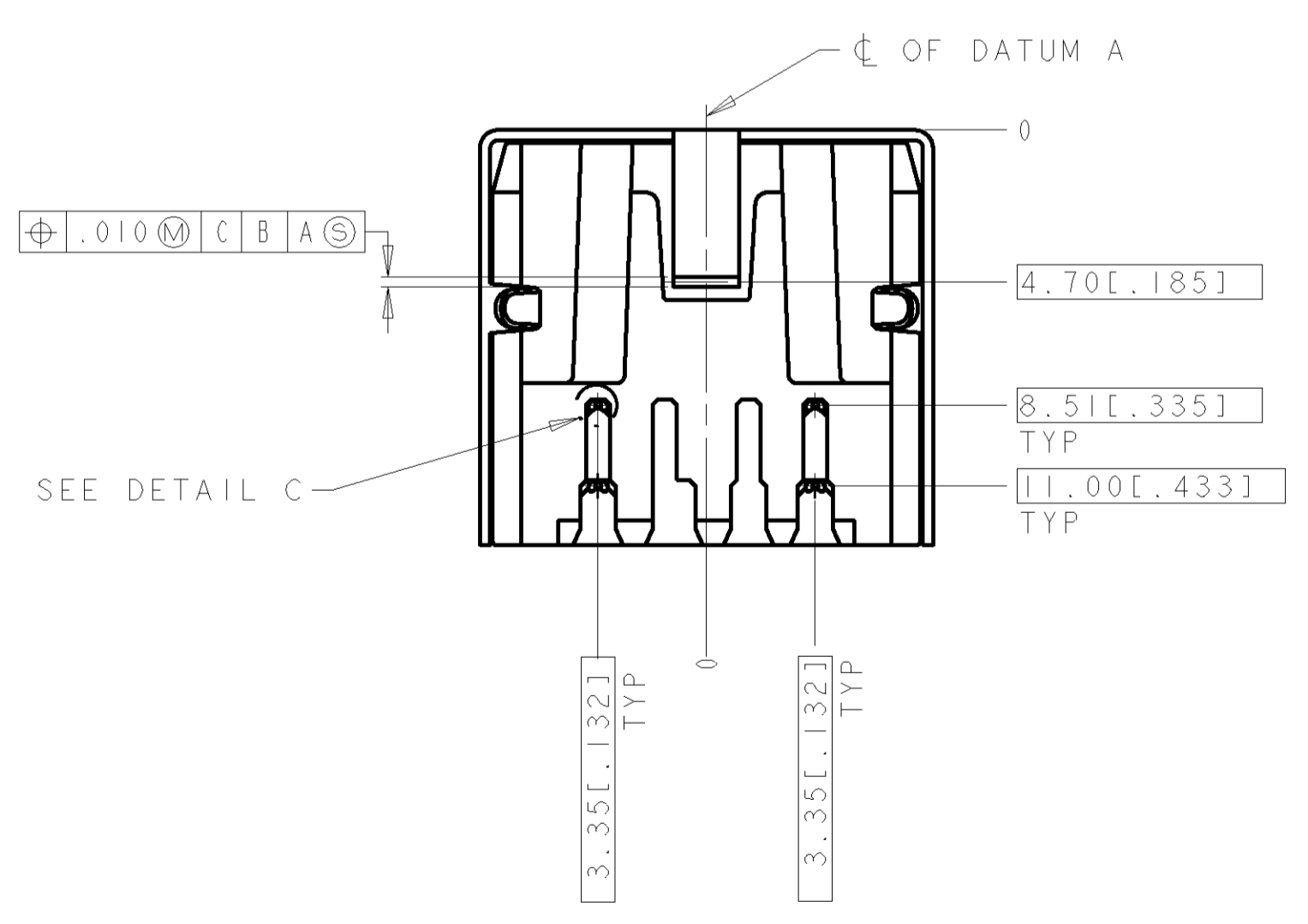


DETAIL D
4 PIN FACE

- △ RECEPTACLE CONTACTS: COPPER ALLOY.
RECEPTACLE SHIELD: COPPER ALLOY.
HOUSING: THERMOPLASTIC, COLOR; SEE TABLE, UL 94V-0 RATED.
- △ PLATING:
RECEPTACLE CONTACTS - GOLD PLATED .00076 MIN [.000030 MIN] THICK ON MATING END, MATTE-TIN PLATED .0030 MIN [.000120 MIN] THICK ON SOLDER TAIL ALL OVER .0013 MIN [.000050 MIN] THICK NICKEL.
- △ PLATING:
SHIELD: PRE-TIN PLATED
- 4. RECEPTACLE ASSEMBLY MATES WITH 4 PIN 9.00±.10 [.354±.004] DIAMETER PLUG.
- △ DATUMS AND BASIC DIMENSION SUPPLIED BY CUSTOMER.



4 PIN PCB LAYOUT
BOTTOM VIEW



DETAIL C
SCALE 50:1

BLACK	5749181-1
HOUSING COLOR	PART NO

DIMENSIONS: mm [INCHES]		TOLERANCES UNLESS OTHERWISE SPECIFIED:		DW: WYLEE 31DEC2004 CHK: SF LEONG APVD: SF LEONG	
0 PLC	±	0 PLC	±	NAME	RECEPTACLE ASSY W/ HOLD DOWN, 4 POS
1 PLC	±	1 PLC	±	PRODUCT SPEC	108-1225
2 PLC	±	2 PLC	±	APPLICATION SPEC	114-40031
3 PLC	±0.38(.015)	3 PLC	±	SIZE	A1
4 PLC	±	4 PLC	±	CAGE CODE	00779
5 PLC	±	5 PLC	±	DRAWING NO	C=5749181
6 PLC	±	6 PLC	±	WEIGHT	
7 PLC	±	7 PLC	±	CUSTOMER DRAWING	
8 PLC	±	8 PLC	±	SCALE	5:1
9 PLC	±	9 PLC	±	SHEET	1 OF 1
10 PLC	±	10 PLC	±	REV	P