

1194-1255, 1559-1610 MHz GNSS ACTIVE ANTENNA

Part Number: 2108854-1

FEATURES & BENEFITS

- L1+G1 & L2+E5b+G2 bands for GNSS
- Active Patch Antenna
- The following data is based on Dia.150mm ground size
- Different cable lengths and connector options available
- No matching circuits required

RF SPECIFICATIONS

Frequency Range (MHz)	1194 - 1255	1559 - 1610
VSWR	< 1.2:1	< 1.4:1
System Gain at Zenith @ 5V	Typ. 28.2~32.8 dBic	Typ. 29.5~35.2 dBic
Axial Ratio at Zenith	Typ.1.4 dB	Typ. 1.0 dB
Average Gain (Cable loss included)	24.0 dBic	24.6 dBic
Noise Figure	Typ. 3.0 dB @ 5V	Typ. 2.4 dB @ 5V
Group Delay @ Zenith Variation Across Single Constellation(ns)	13.4	42.7
Phase Center Variation PCV (mm) including Active Circuitry	11.1 @1227.6 MHz Max +/- 2.0 mm	7.5 @1575.42 MHz Max +/- 2.0 mm
LNA (Voltage & Current)	DC Voltage Range 3.0~5.0V & 15.0mA @5.0V	
Feed Point Impedance	50 ohms	
Polarization	RHCP	

1194-1255, 1559-1610 MHz GNSS ACTIVE ANTENNA

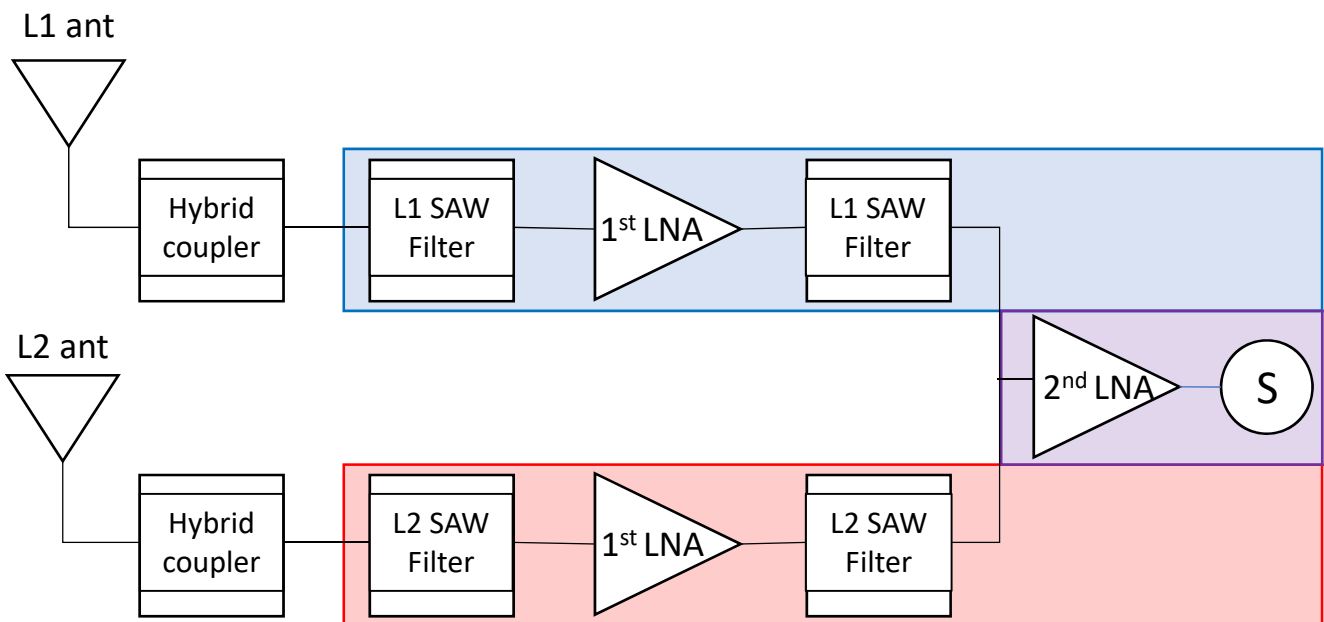
Standard Antenna Solutions

MECHANICAL SPECIFICATIONS

Size	43.0 mm x 43.0 mm x 18.0 mm
Weight	< 70.0 g
Mounting	Adhesive Tape
Mating Connector	MHF-type receptacle (TE PN 2337019-1)
Cable	Coaxial Cable: 1.13mm Dia. (Length : 100±3 mm)
Operating Temperature	-40 to +85°C
Storage Temperature	-40 to +85°C
Hazardous Materials	A certificate of conformance is available from the product page on TE website.

OUT OF BAND ATTENUATION

Frequency (MHz)	1459(F_0-100)	1710(F_0+100)
L1 Atten. (dB)	66.19	74.69
L1 & G1 $F_0 = 1559$ MHz & 1610 MHz		
Frequency (MHz)	1094(F_0-100)	1355(F_0+100)
L2 Atten. (dB)	50.54	79.71
L2, E5b, & G2 $F_0 = 1194$ MHz & 1255 MHz		



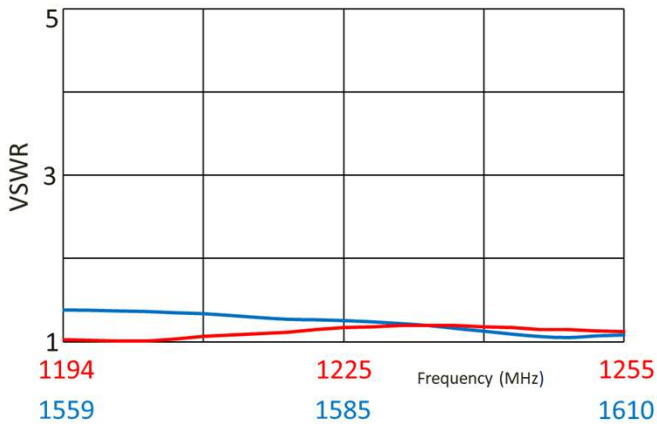
1194-1255, 1559-1610 MHz GNSS ACTIVE ANTENNA

Standard Antenna Solutions

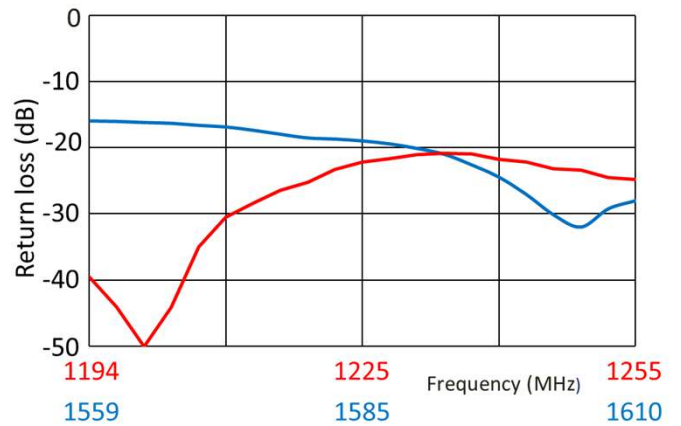
RF DATA

(shown as 2108854-1 : Ground size :Diameter 150mm, DC 5V & Current 15.0mA.)

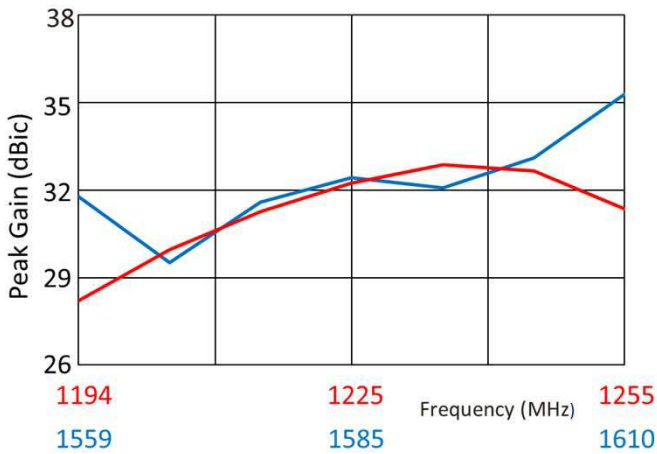
VSWR



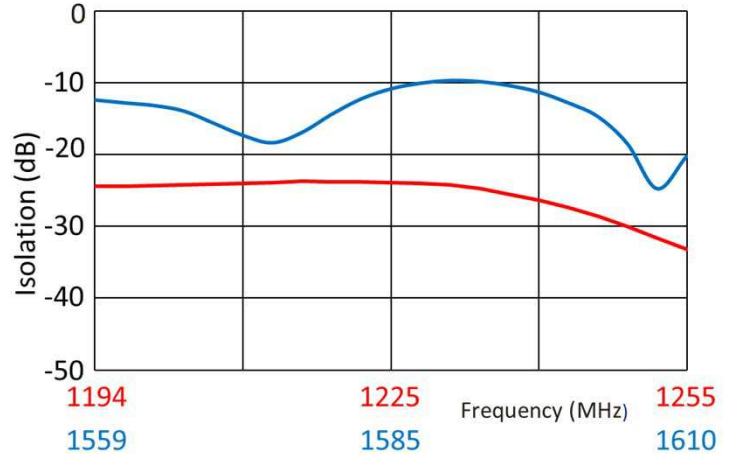
Return Loss



Peak Gain



Isolation



Antenna gain varies with cable length

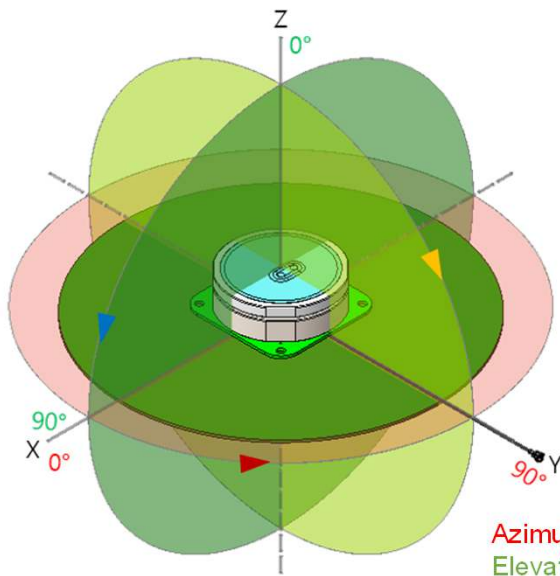
1194-1255, 1559-1610 MHz GNSS ACTIVE ANTENNA

Standard Antenna Solutions

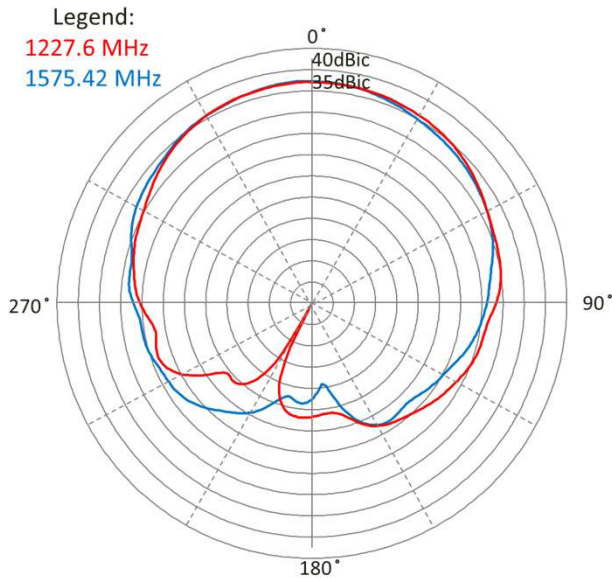
RADIATION PATTERN

(shown as 2108854-1 : Ground size :Diameter 150mm, DC 5V & Current 15.0mA.)

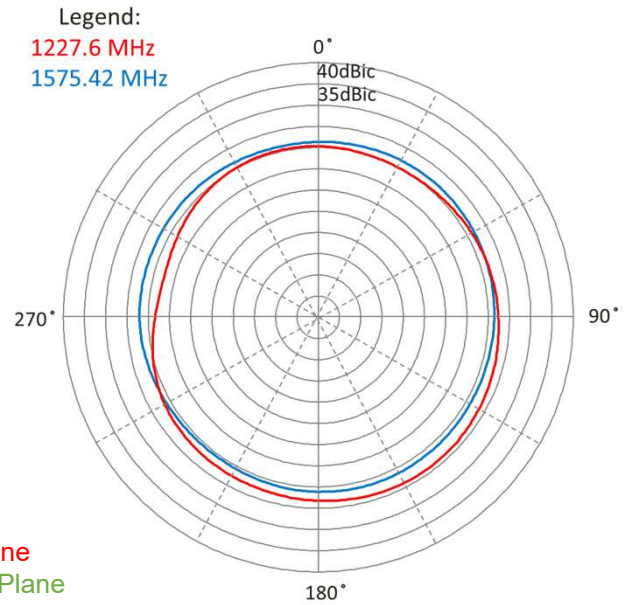
Test setup



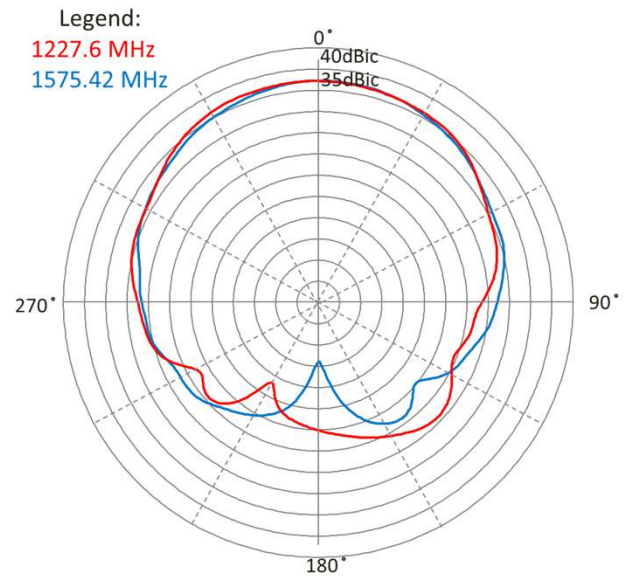
Elevation 1



Azimuth



Elevation 2

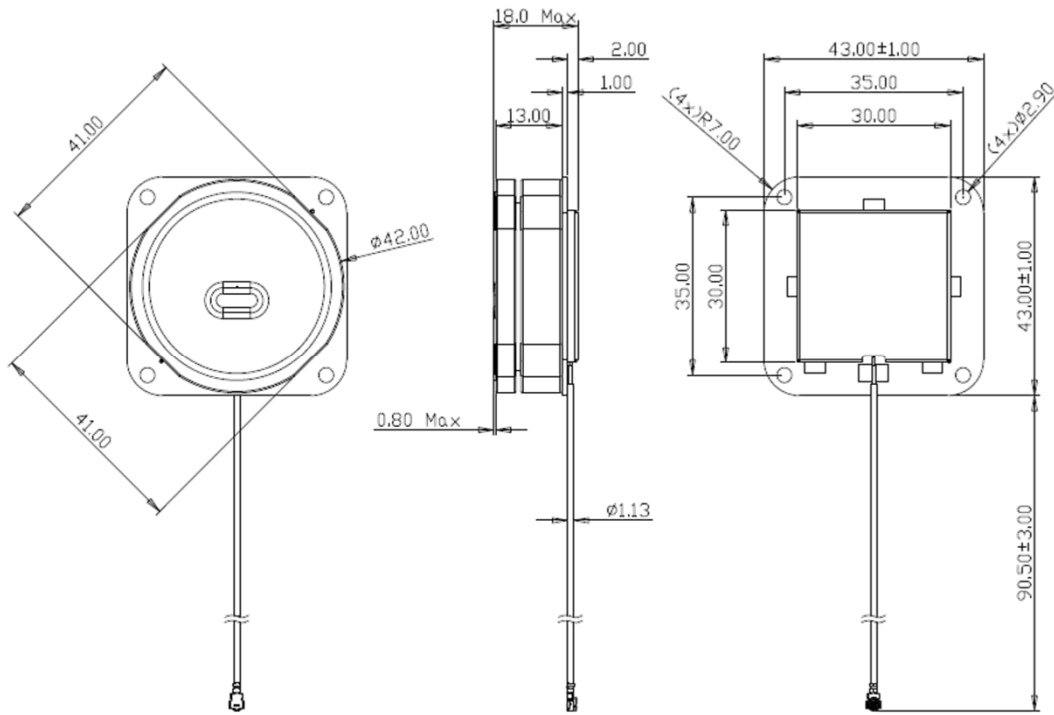


Antenna gain varies with cable length

1194-1255, 1559-1610 MHz GNSS ACTIVE ANTENNA


Standard Antenna Solutions

DIMENSIONS



Dimension: mm
Diagrams is not to scale

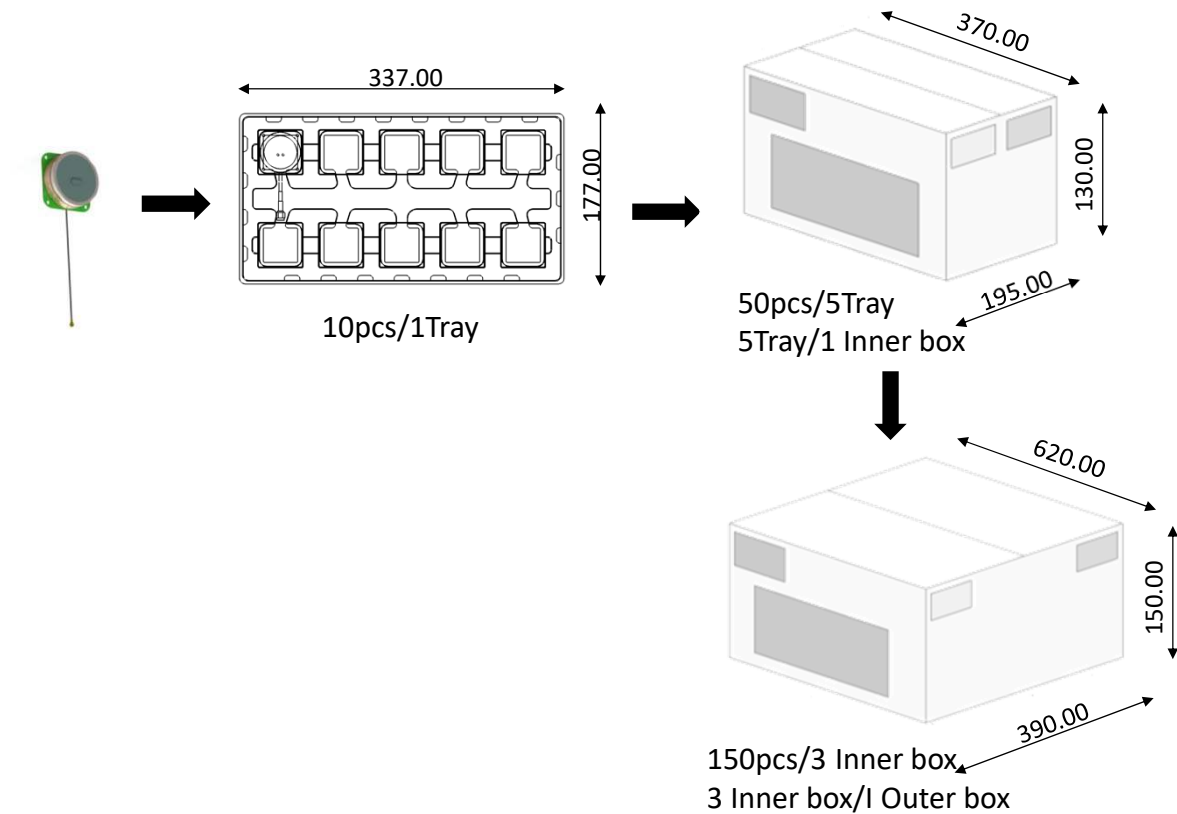
MATING COMPONENTS

2108854-1	100.0	3.937	MHF-TYPE PLUG	RECEPTACLE (TE PN: 2337019-1)	
PART NUMBER	MM	INCH	CONNECTOR TYPE (ON CABLE)	PART NUMBER	IMAGE
	CABLE LENGTH(A)			MATING COMPONENTS	

1194-1255, 1559-1610 MHz GNSS ACTIVE ANTENNA

Standard Antenna Solutions

PACKAGING



TE TECHNICAL SUPPORT CENTER

USA:	+1 (800) 522-6752
Canada:	+1 (905) 475-6222
Mexico:	+52 (0) 55-1106-0800
Latin/S. America:	+54 (0) 11-4733-2200
Germany:	+49 (0) 6251-133-1999
UK:	+44 (0) 800-267666
France:	+33 (0) 1-3420-8686
Netherlands:	+31 (0) 73-6246-999
China:	+86 (0) 400-820-6015

For phone numbers in other countries, go to te.com/support-center

te.com

TE Connectivity, TE Connectivity (logo) are trademarks. All other logos, products and/or company names referred to herein might be trademarks of their respective owners.

The information given herein, including drawings, illustrations and schematics which are intended for illustration purposes only, is believed to be reliable. However, TE Connectivity makes no warranties as to its accuracy or completeness and disclaims any liability in connection with its use. TE Connectivity's obligations shall only be as set forth in TE Connectivity's Standard Terms and Conditions of Sale for this product and in no case will TE Connectivity be liable for any incidental, indirect or consequential damages arising out of the sale, resale, use or misuse of the product. Users of TE Connectivity products should make their own evaluation to determine the suitability of each such product for the specific application.

© 2020 TE Connectivity Ltd. family of companies All Rights Reserved.

05/2021