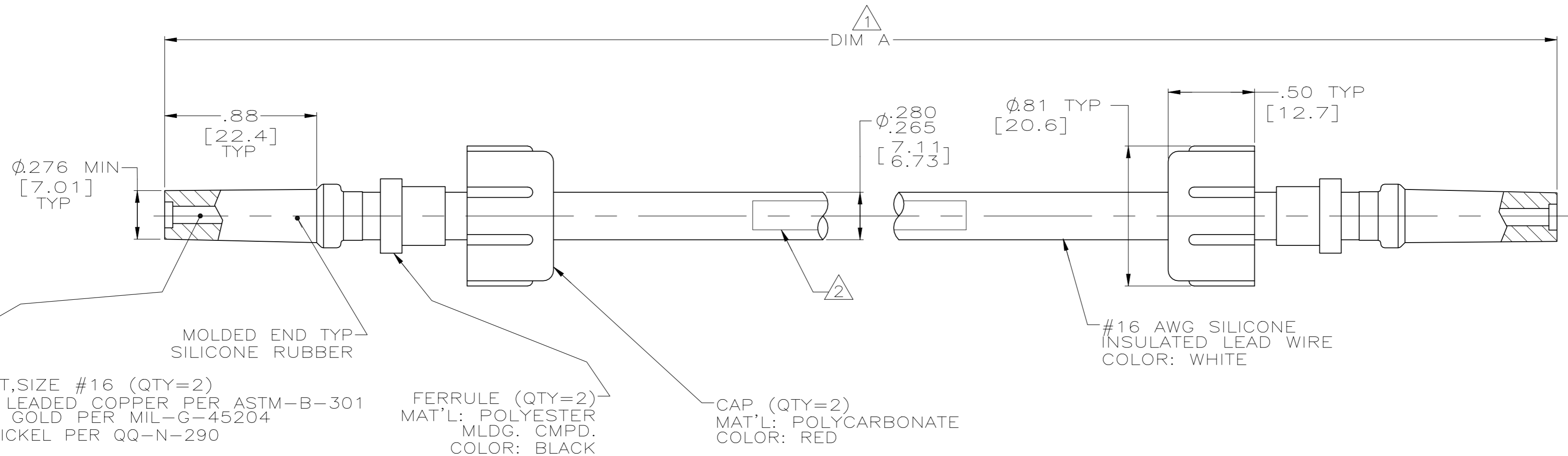


PART NO.	DIM A	
862550-1	6.00 [152.4]	
862550-2	8.00 [203.2]	OBSOLETE
862550-3	10.00 [254.0]	OBSOLETE
862550-4	12.00 [304.8]	OBSOLETE
862550-5	15.00 [381.0]	OBSOLETE
862550-6	18.00 [457.2]	OBSOLETE
862550-7	21.00 [533.4]	OBSOLETE
862550-8	24.00 [609.6]	OBSOLETE
862550-9	36.00 [914.4]	OBSOLETE
1-862550-0	30.00 [762.0]	OBSOLETE
1-862550-1	110.00 [2794.0]	OBSOLETE
1-862550-2	72.00 [1828.8]	OBSOLETE
1-862550-3	48.00 [1219.2]	OBSOLETE
1-862550-4	7.00 [177.8]	OBSOLETE
1-862550-5	5.00 [127.0]	OBSOLETE
1-862550-6	60.00 [1524.0]	OBSOLETE

WARNING - THIS DOCUMENT CONTAINS TECHNOLOGY WHOSE EXPORT IS RESTRICTED BY THE EXPORT ADMINISTRATION REGULATIONS ("EAR") PURSUANT TO 15 C.F.R. PARTS 730-774. VIOLATIONS OF THE EAR ARE SUBJECT TO SEVERE CRIMINAL PENALTIES UNDER THE EXPORT CONTROL REFORM ACT, AS AMENDED (TITLE 50, U.S.C., SEC. 4801, ET SEQ.).

P	LTR	DESCRIPTION	DATE	DWN	APVD
L		REVISED PER ECN-23-215995	21JUN2023	LP	RL



- TOLERANCE OF LEAD LENGTH:
UP TO 24 INCHES [609.6] = ±.12 [±3.1]
24 INCHES [609.6] & UP = ±1%
- MARKED PER MIL-STD-130 LOCATED APPROX IN CENTER OF LEAD.
- 3. TO MATE WITH AMP LGH-1 RECEPTACLE WITH .88 [22.4] BARREL DEPTH.
- 4. OPERATING VOLTAGE: 20 KVDC AT 0 TO 70,000 FEET; -55° C TO 125° C.

THIS DRAWING IS A CONTROLLED DOCUMENT.		DWN 9-27-96 C.C.THOMAS	TE Connectivity	
DIMENSIONS: INCHES		CHK 10-30-96 S.GLATFELTER		
TOLERANCES UNLESS OTHERWISE SPECIFIED:		APVD 10-30-96 S.GLATFELTER	NAME LEAD ASS'Y,DBL. END,POS. STOP, LGH-1	
0 PLC ± - 1 PLC ± - 2 PLC ± .02 [0.5] 3 PLC ± - 4 PLC ± - ANGLES ± -		PRODUCT SPEC APPLICATION SPEC	SIZE CAGE CODE DRAWING NO A2 00779 C=862550	
MATERIAL SEE CALLOUTS		FINISH SEE CALLOUTS	WEIGHT 0.000000	RESTRICTED TO -
		CUSTOMER DRAWING	SCALE 2:1	SHEET 1 OF 1