

206966-7 ✓ ACTIVE

AMP | AMP CPC

TE Internal #: 206966-7

Unscreened, Cable Clamp & Body, .453 in [11.51 mm] Cable Entry,  
Thermoplastic, Straight, Shell Size 13, AMP CPC

[View on TE.com >](#)



Connectors > Connector Accessories > Connector Backshells > CPC Cable Clamps



Connector Backshell Product Style: **Unscreened**

Connector Backshell Product Type: **Cable Clamp & Body**

Cable Entry Diameter: **11.51 mm [ .453 in ]**

Primary Product Material: **Thermoplastic**

Body Orientation: **Straight**

[All CPC Cable Clamps \(25\)](#)

## Features

### Product Type Features

Connector Backshell Product Style	Unscreened
Connector Backshell Product Type	Cable Clamp & Body

### Body Features

Primary Product Color	Black
Primary Product Material	Thermoplastic

### Mechanical Attachment

Thread Size	3/4-20 UNEF-2B
-------------	----------------

### Housing Features

Body Orientation	Straight
Compatible With Connector Shape	Circular

### Dimensions

Cable Entry Diameter	11.51 mm[.453 in]
----------------------	-------------------



### Operation/Application

Compatible With Connector Shell Size	13
--------------------------------------	----

### Industry Standards

UL Flammability Rating	UL 94V-0
------------------------	----------

### Packaging Features

Packaging Quantity	1
Packaging Method	Individual

### Product Compliance

[For compliance documentation, visit the product page on TE.com>](#)

EU RoHS Directive 2011/65/EU	Compliant
EU ELV Directive 2000/53/EC	Compliant
China RoHS 2 Directive MIIT Order No 32, 2016	No Restricted Materials Above Threshold
EU REACH Regulation (EC) No. 1907/2006	Current ECHA Candidate List: JUNE 2023 (235) Candidate List Declared Against: JUNE 2023 (235) Does not contain REACH SVHC
Halogen Content	BFR/CFR/PVC Free, but Br/Cl >900 ppm in other sources.
Solder Process Capability	Not applicable for solder process capability

#### Product Compliance Disclaimer

This information is provided based on reasonable inquiry of our suppliers and represents our current actual knowledge based on the information they provided. This information is subject to change. The part numbers that TE has identified as EU RoHS compliant have a maximum concentration of 0.1% by weight in homogenous materials for lead, hexavalent chromium, mercury, PBB, PBDE, DBP, BBP, DEHP, DIBP, and 0.01% for cadmium, or qualify for an exemption to these limits as defined in the Annexes of Directive 2011/65/EU (RoHS2). Finished electrical and electronic equipment products will be CE marked as required by Directive 2011/65/EU. Components may not be CE marked. Additionally, the part numbers that TE has identified as EU ELV compliant have a maximum concentration of 0.1% by weight in homogenous materials for lead, hexavalent chromium, and mercury, and 0.01% for cadmium, or qualify for an exemption to these limits as defined in the Annexes of Directive 2000/53/EC (ELV). Regarding the REACH Regulation, the information TE provides on SVHC in articles for this part number is based on the latest European Chemicals Agency (ECHA) 'Guidance on requirements for substances in articles' posted at this URL: <https://echa.europa.eu/guidance-documents/guidance-on-reach>

### Compatible Parts



TE Part # CAT-AM71-C83998J  
Cable/Panel Mount Connector, CPC Series 1



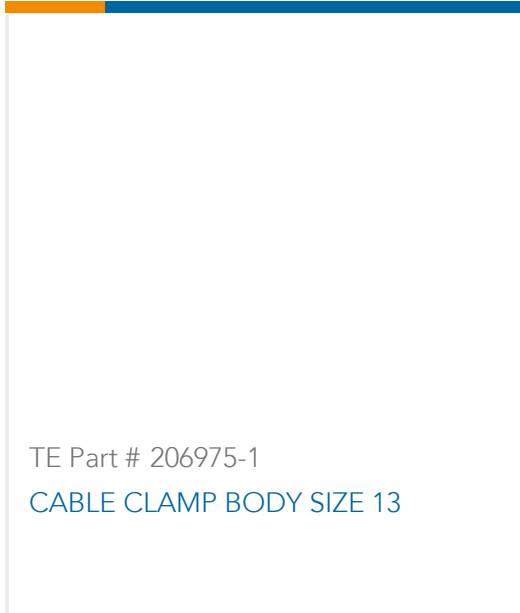
TE Part # 206708-1  
CPC PLUG ASSEMBLY SIZE 13-9



TE Part # CAT-AM71-C83998Y  
One-Piece Connector, Sealed, CPC Series 1



TE Part # CAT-AM71-C83998F  
Connectors with Posted Pin Contacts, CPC Series 1

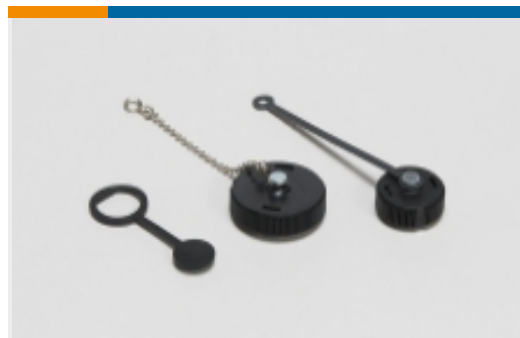


TE Part # 206975-1  
CABLE CLAMP BODY SIZE 13

## Also in the Series | AMP CPC



Circular Connector Adapters(7)



Circular Connector Caps & Covers(16)



Circular Connector Hardware(3)



Circular Connector Keying Plugs(2)



Circular Power Connectors(459)



Connector Backshells(56)



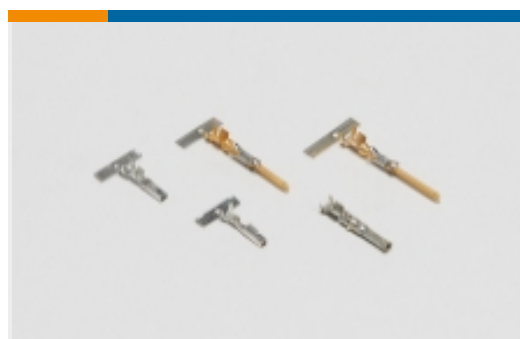
Connector Seals & Cavity Plugs(36)



Connector Strain Relief(6)



Insertion & Extraction Tools(1)

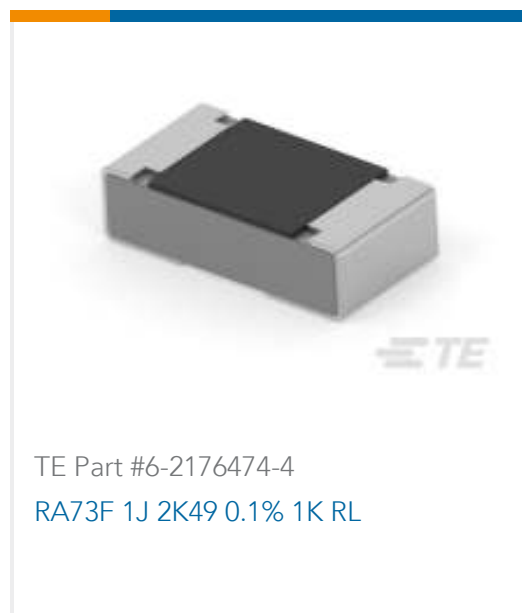
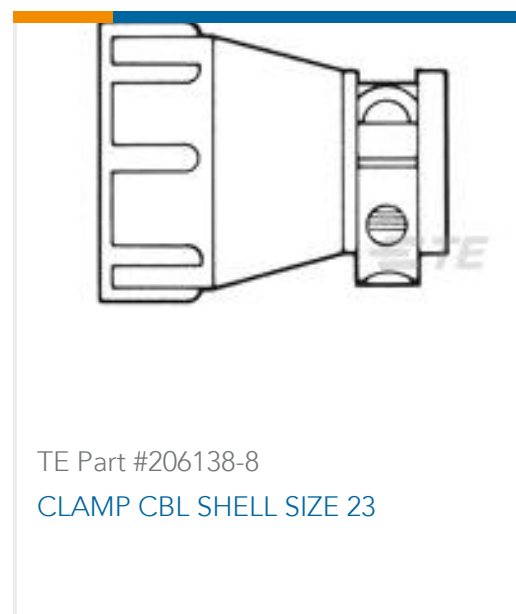


Power Contacts(6)



Sealing Sleeves(2)

## Customers Also Bought



## Documents

### Product Drawings

#### CABLE SHELL CLAMP SIZE 13

English

### CAD Files

#### Customer View Model

[ENG\\_CVM\\_CVM\\_206966-7\\_S.2d\\_dxf.zip](#)

English

#### 3D PDF

3D

#### Customer View Model

[ENG\\_CVM\\_CVM\\_206966-7\\_S.3d\\_igs.zip](#)

English

#### Customer View Model

[ENG\\_CVM\\_CVM\\_206966-7\\_S.3d\\_stp.zip](#)

English

By downloading the CAD file I accept and agree to the [Terms and Conditions](#) of use.

### Datasheets & Catalog Pages

#### AMP Circular Connectors for Commercial Signal & Power Applications

English

### Product Environmental Compliance

#### Product Compliance Document

English

#### Product Compliance Document

English

206966-7

Unscreened, Cable Clamp & Body, .453 in [11.51 mm] Cable Entry, Thermoplastic,  
Straight, Shell Size 13, AMP CPC



[Instruction Sheets](#)

[Instruction Sheet \(U.S.\)](#)

English