

Reduced Flange 38999 Jam Nut Receptacles

Derived connector from MIL-DTL-38999 Series III



Description

Where Small Dimensions & Lower Weight are critical ...

Main Features

- Derived from MIL-DTL-38999 series III version
- For Jam Nut Receptacles (TV07/TVS07)
- Higher density on panel **41% average footprint surface reduction**
- Lighter: **20% average lighter than standard 38999 stand off receptacle**
- Mates with standard MIL-DTL-38999 series III plugs and caps
- Matches MIL-DTL-38999 series III performances
- Available in Crimp version, with PC Tail contacts, and in Stand Off version
- Reduced Flange Deviation (to be added at the end of your part number):
 - **F312** for Crimp and Standard PC Tail versions (F311 with safety castle nut*)
 - **F059** for Stand Off PC Tail versions (F058 with safety castle nut*)

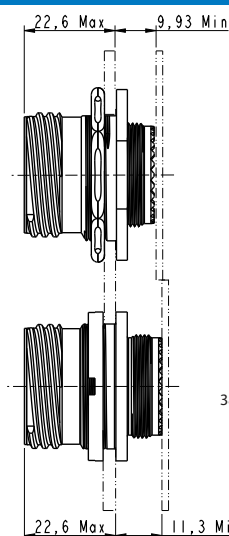


with
standard
castle nut

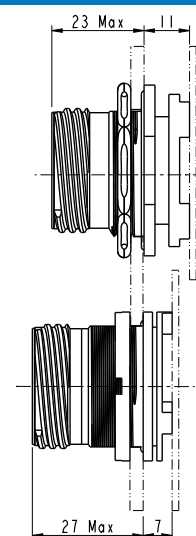
* with
safety
castle nut

Smaller Dimensions

LENGTH



Increase of internal length by 1,37 mm



Reduction of internal length by 4mm and increase of external length by 4mm

Markets & Applications



C4ISR, Battlefield, Ground vehicles



Missiles & UAVs



Avionics



Navy



Applications:

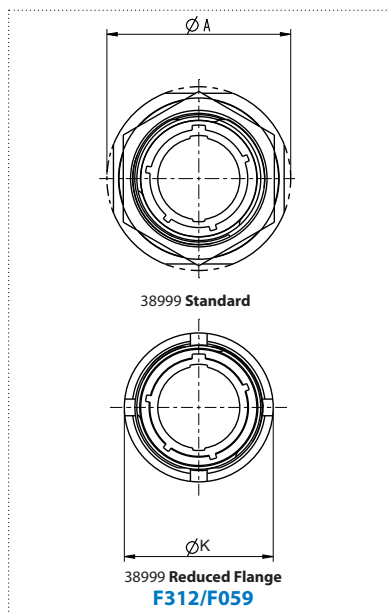
› Ethernet Switches

› Tactical Radios, Computers

Reduced Flange 38999 Jam Nut Receptacles

Footprint Saving

Average 41% footprint reduction:



Shell Sizes	38999 standard diameter ØA max (mm)	38999 Reduced Flange (F312 & F059) diameter ØK max (mm)	Footprint reduction 38999 Standard vs 38999 Reduced Flange
9	30,5	22,1	47%
11	35,2	25,1	49%
13	38,4	28,1	46%
15	41,6	32,1	40%
17	44,8	36,1	35%
19	49,5	38,1	41%
21	52,7	41,1	39%
23	55,9	44,1	38%
25	59	48,1	34%

Weight Saving

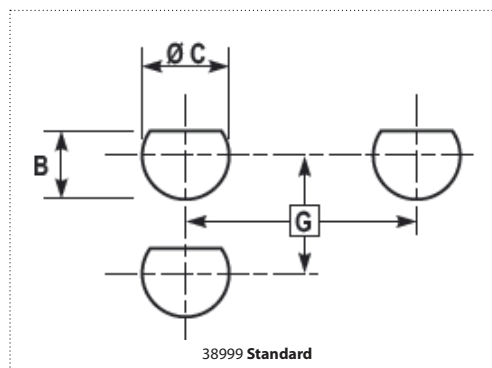
Average 20% weight reduction:

Examples :

38999 Series III stand off version: TV07WCI15-35P F459 = 40,7 g

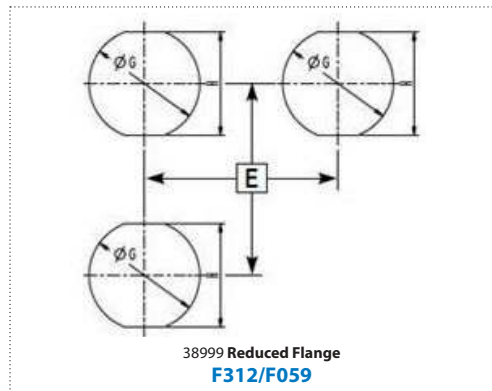
38999 Series III Reduced flange stand off version : TV07WCI15-35P F059 = 32,7 g

Panel Dimension



Sizes	38999 Standard		
	G	ØC ^{+0,25 0}	B ^{0 0,25}
9	27,80	17,60*	16,70*
11	32,60	20,96*	19,59*
13	36,00	25,65*	24,26*
15	39,60	28,83*	27,56*
17	43,30	32,01*	30,73*
19	47,00	35,18*	33,91*
21	50,60	38,35*	37,08*
23	54,20	41,53*	40,26*
25	59,70	44,70*	43,43*

*tolerance is +0,10 / -0,06 for size A/9

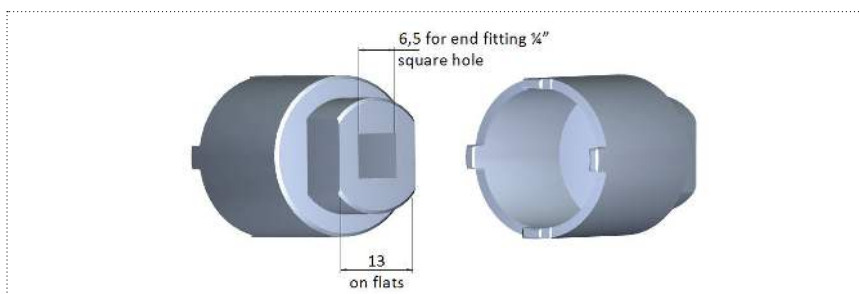


Sizes	38999 Reduced Flange		
	E min	ØG ^{+0,1 0}	H ^{+0,1 0}
9	23,8	17	16
11	27,0	20	19,1
13	31,4	23	22,3
15	34,5	27	25,5
17	37,7	31	30,3
19	40,5	33	31,9
21	43,7	36	35,1
23	46,9	39	38,3
25	51,0	43	41,5

Reduced Flange 38999 Jam Nut Receptacles

Tools

Need of a specific tool for castle nut :



Sizes	Tools Part Number
9	809681
11	809682
13	809683
15	809684
17	809685
19	809686
21	809687
23	809688
25	809689

How to order

Series	TV	07	R	W	-	11-35	P	A	-	F312	-
TV: Metallic shell											
Shell type 07: Jam nut receptacle (O.D.cadmium, black zinc nickel) S07: Jam nut receptacle (nickel, bronze)											
Contact type R: Crimp contacts (or connector delivered without contact) Blank for PC tail contacts and black zinc nickel plating											
Class W: Olive Drab Cadmium Plating (on aluminum) F: Nickel Plating (on aluminum) ✓ B: Marine Bronze ✓ ZN: Black Zinc Nickel Plated (on aluminum) ✓											
PC Tail Contacts Blank for crimp contacts Cl: standard PCB contacts Ll: long tail PCB contacts											
Shell size and Contact arrangement Please consult TV-CTV catalogue - Arrangement chapter											
Contact type P: Pin S: Socket											
Polarization Blank for neutral or A, B, C, D, E											
Contacts Blank for connectors delivered with contacts LC: Connector delivered without contacts											
Deviation F312: Crimp or standard PC Tail Reduced Flange F059: Stand off PC Tail Reduced Flange F311: Crimp or standard PC Tail Reduced Flange with safety castle nut F058: Stand off PC Tail Reduced Flange with safety castle nut											
Blank for Gold plated Crimp contacts Blank for Lead Tin PC Tails contacts LF: Silver Tin PC Tail contacts ✓ LFC: Silver Tin Copper PC Tail contacts ✓											

Examples: TV07RW1135PAF312 ; TV07WC11135PAF059LF.

✓: RoHS compliant



Reduced Flange 38999 Jam Nut Receptacles

NOTES

Blank space with horizontal dotted lines for writing notes.

