
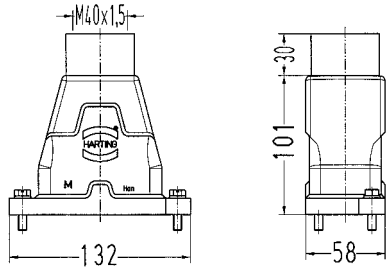

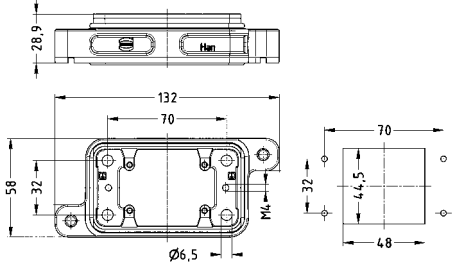

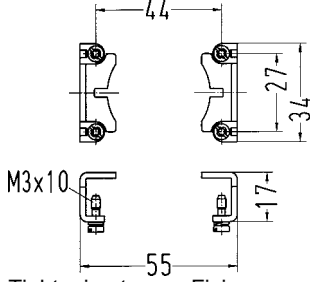


Hoods/housings for harsh outdoor environments  
Screw locking

Han  
HC

Identification	Cable entry	Part number	Drawing (dimensions in mm)
<p>Han® HPR, Hood, With adapter, Top entry, IP65, IP68, IP69 / IPX9K acc. to ISO 20653</p> 	<p>1x M40</p>	<p>19 40 006 0418</p>	
<p>Han® HPR, Bulkhead mounted housing, IP65, IP68, IP69 / IPX9K acc. to ISO 20653</p> 		<p>09 40 006 0311</p>	
<p>Han® HPR, Frame, for male inserts, for female inserts, 1x Han® HC Modular 650</p> 		<p>09 11 000 9971</p>	 <p>Tightening torque Fixing screws M3: 0.5 Nm</p>