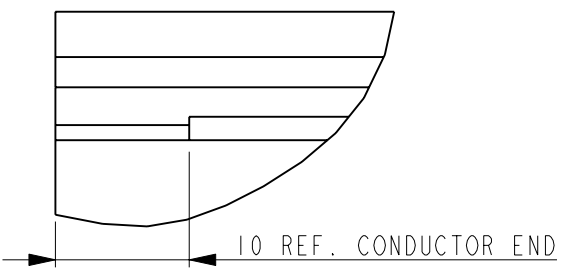


THIS DRAWING IS UNPUBLISHED. RELEASED FOR PUBLICATION
 © COPYRIGHT - BY TYCO ELECTRONICS CORPORATION. ALL RIGHTS RESERVED.

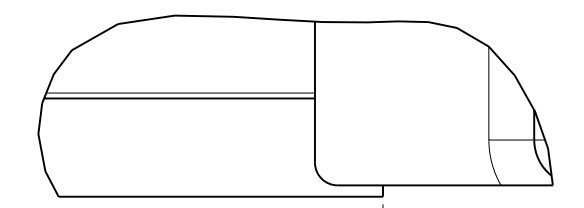
LOC		DIST		REVISIONS			
P	LTR	DESCRIPTION	DATE	DWN	APVD		
	BI	Added New TE logo in Adhesive Tape	05JAN2010	C.J	PKS		

PARTNUMBER: 1551683-1 AS SHOWN



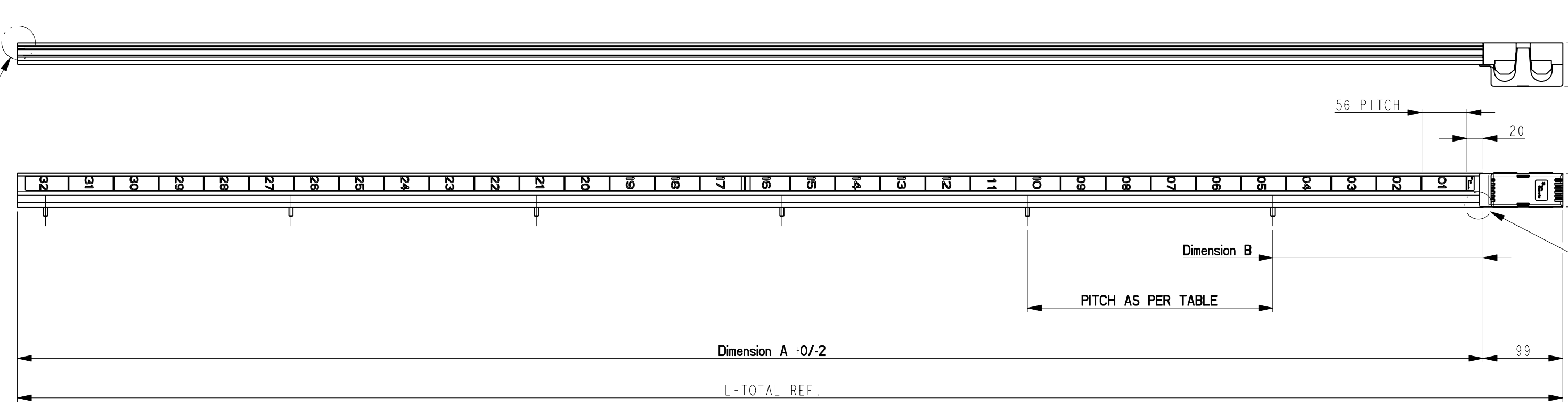
DETAIL B
SCALE 2:1

SEE DETAIL B

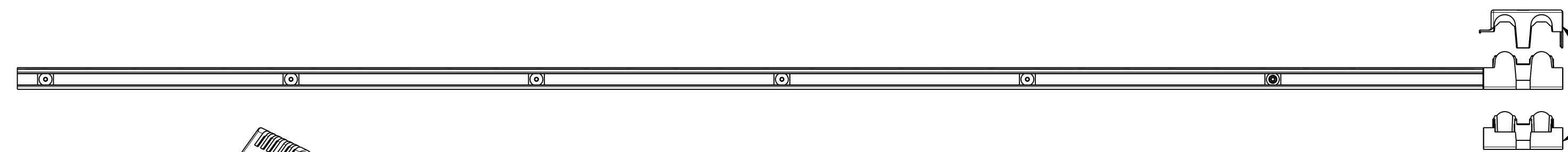


DATUM LINE
END OF EXTRUSION

DETAIL A
SCALE 2:1

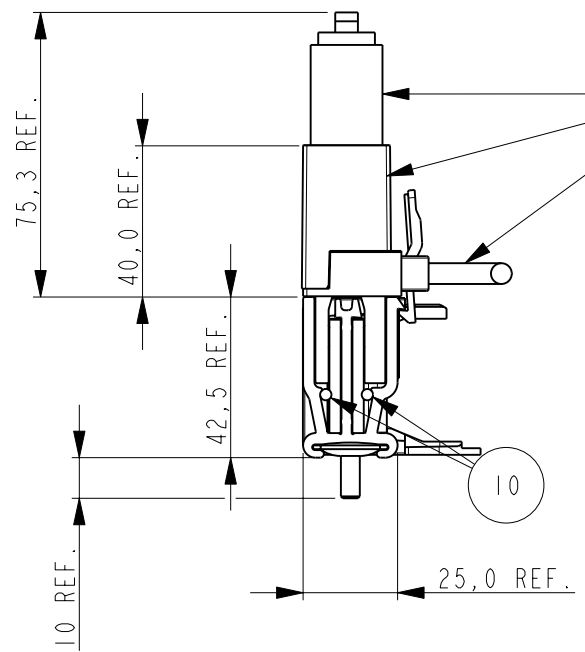
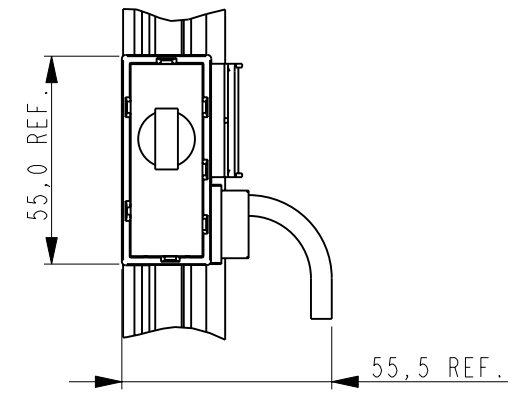
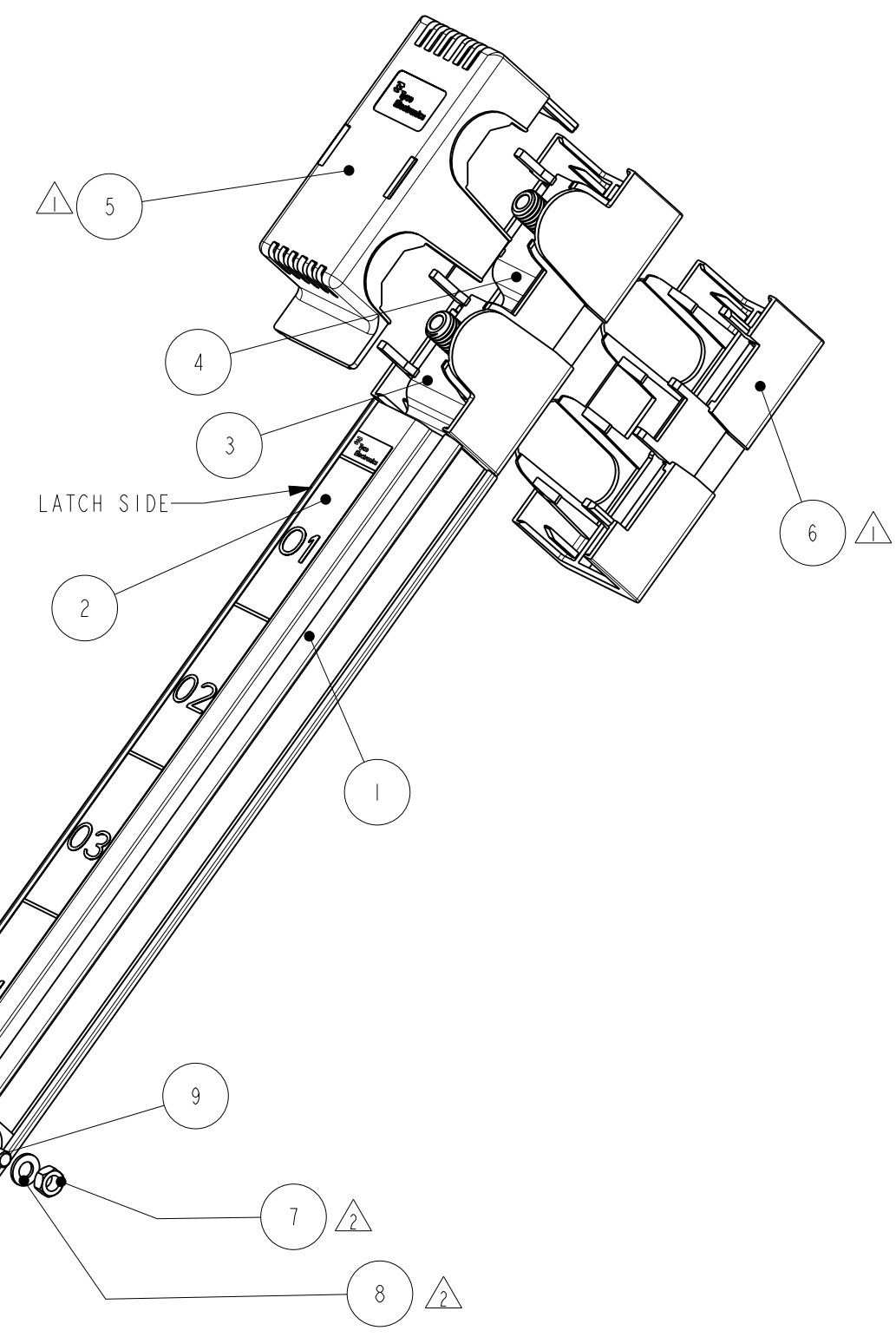


SEE DETAIL A



NOTES:

- △ BASE AND TOP COVERS (ITEM 5 AND 6) SUPPLIED UNASSEMBLED.
- △ NUTS (ITEM 7) AND WASHERS (ITEM 8) SUPPLIED BAGGED IN STATED QUANTITY.
- 3 MATERIAL OF THREADED ENDS ON EXTRUSION: COPPER ALLOY.



8340-F SERIES BREAKER, 1857141-1 CONNECTOR AND 1820539-1 LEAD ARE DRAWN FOR REFERENCE ONLY. THESE PARTS ARE NOT INCLUDED IN ASSEMBLY 1857561-1.

SCALE 1:2
APPLICATION DETAIL

PARTNUMBER	L-TOTAL REF.	EFFECTIVE LENGTH (mm)	Dimension A	Dimension B	PITCH	QTY
1551683-1	1920	1800	1820	35	350	6
1551683-5	620	500	520	35	225	3
1551683-7	1120	1000	1020	30	320	4
1551683-9	1620	1500	1520	40	360	5
1-1551683-1	2120	2000	2020	35	325	7
1-1551683-3	2370	2250	2270	40	365	7
1-1551683-5	900	780	800	47	304.8	2
1-1551683-7	1800	1680	1700	47	304.8	6

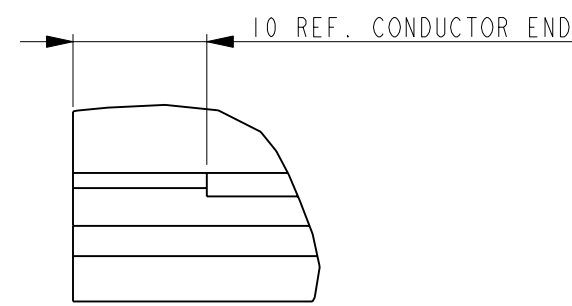
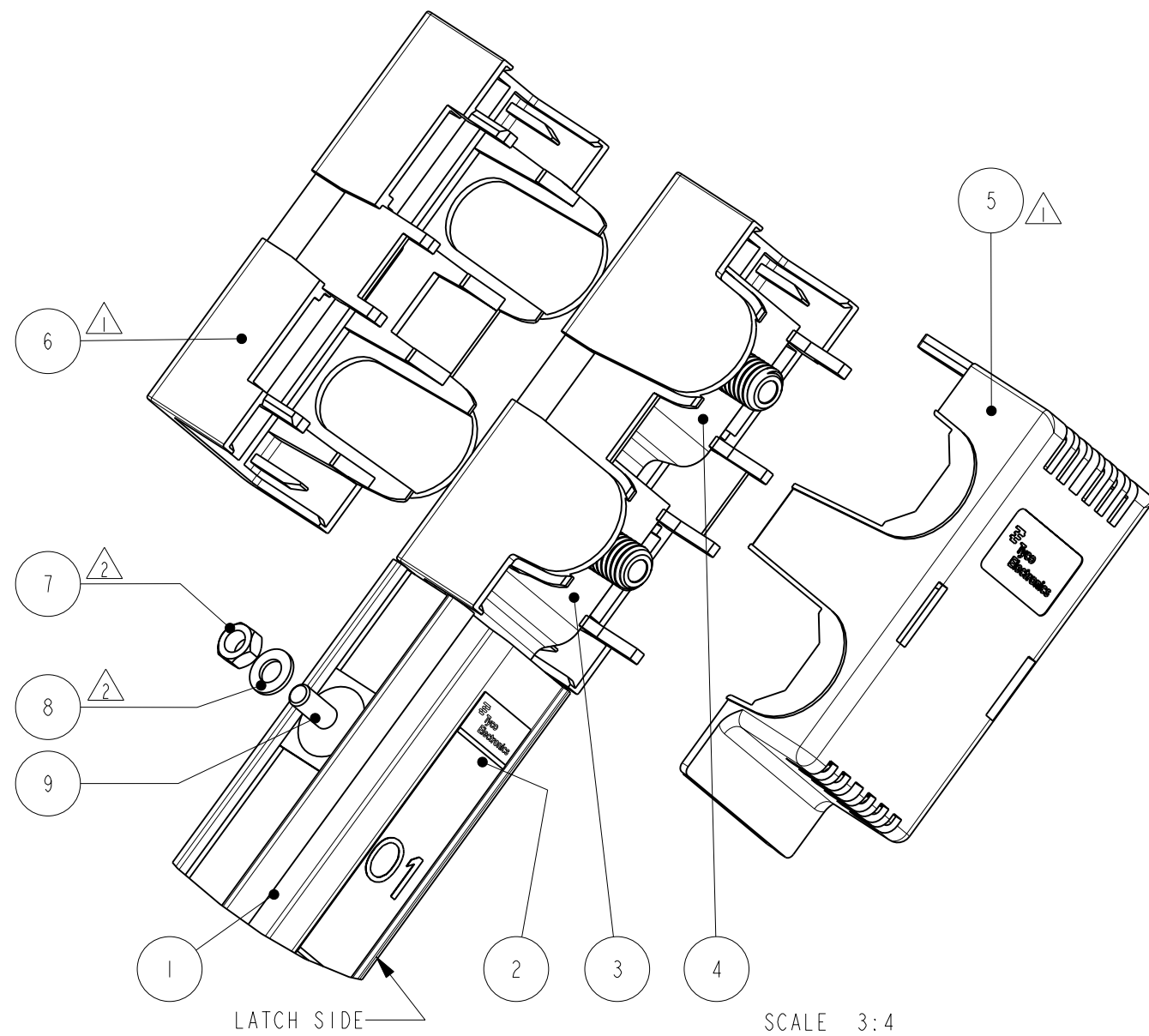
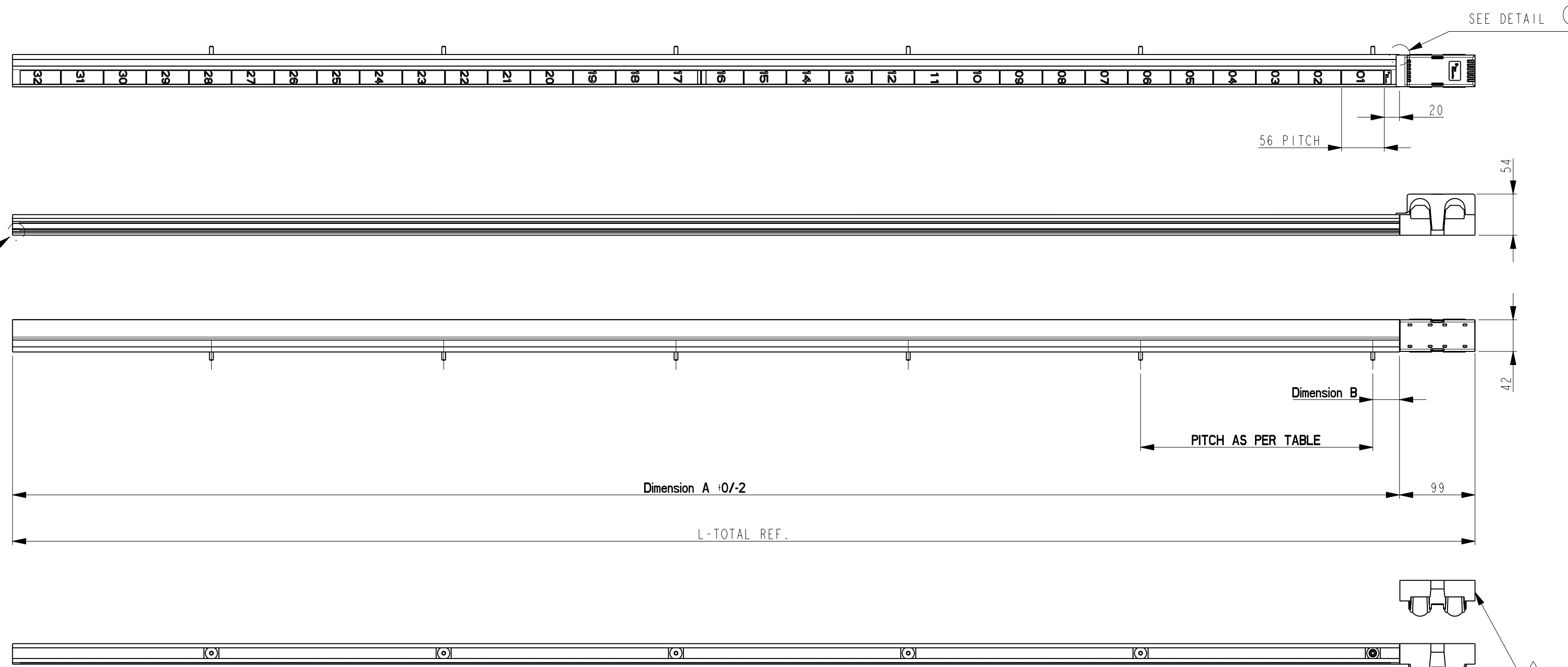
ITEM NO.	DESCRIPTION	MATERIAL	FINISH/COLOR
10	ELASTOMERIC CORD (2x)	ELASTOMER	WHITE
9	SLIDE-BOLT M5	STAINLESS STEEL	
8	WASHER M5	STAINLESS STEEL	
7	NUT M5	STAINLESS STEEL	
6	BASE-COVER	PBT 20%GF	BLACK
5	TOP-COVER	PBT 20% GF	BLACK
4	CONDUCTOR LONG	COPPER ALLOY	NICKEL PLATED
3	CONDUCTOR SHORT	COPPER ALLOY	NICKEL PLATED
2	SELF ADHESIVE TAPE	TAPE	TRANSPARENT/BLACK LETTERS
1	EXTRUSION	THERMOPLASTIC UL94V-0	WHITE

THIS DRAWING IS A CONTROLLED DOCUMENT FOR TYCO ELECTRONICS CORPORATION. IT IS SUBJECT TO CHANGE AND THE CONTROLLING ENGINEERING ORGANIZATION SHOULD BE CONTACTED FOR THE LATEST REVISION.		DWN M. Scheggia 21 may 10	Tyco Electronics Tyco Electronics Nederland BV 's-Hertogenbosch, The Netherlands	
DIMENSIONS: mm		CHK M. Graziosi 21 may 10	NAME BUSBAR ASSEMBLY LEFT	
TOLERANCES UNLESS OTHERWISE SPECIFIED: 0 PLC ±2 1 PLC ± 2 PLC ± 3 PLC ± 4 PLC ± ANGLES ± FINISH ±		APVD I. De Boer 21 may 10	SIZE A2	
MATERIAL		PRODUCT SPEC 108-19299	CAGE CODE 00779	DRAWING NO 1551683
CUSTOMER DRAWING		WEIGHT	RESTRICTED TO	
		SCALE 5:1	SHEET 1	OF 2
		REV BI		

THIS DRAWING IS UNPUBLISHED. RELEASED FOR PUBLICATION
 © COPYRIGHT - BY TYCO ELECTRONICS CORPORATION. ALL RIGHTS RESERVED.

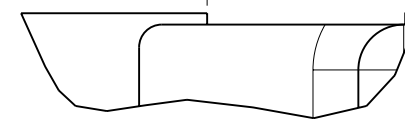
LOC	DIST	REVISIONS					
H	-	P	LTR	DESCRIPTION	DATE	DWN	APVD
		-		SEE SHEET 1			

PARTNUMBER: 1551683-2 AS SHOWN



DETAIL D
SCALE 2:1

DATUM LINE
END OF EXTRUSION



DETAIL C
SCALE 2:1

NOTES:
SEE SHEET 1 FOR NOTES.

1551683-2	1920	1800	1820	35	350	6
1551683-6	620	500	520	35	225	3
1551683-8	1120	1000	1020	30	320	4
1-1551683-0	1620	1500	1520	40	360	5
1-1551683-2	2120	2000	2020	35	325	7
1-1551683-4	2370	2250	2270	40	365	7
1-1551683-6	900	780	800	47	304.8	2
1-1551683-8	1800	1680	1700	47	304.8	6
PARTNUMBER	L-TOTAL REF.	EFFECTIVE LENGTH (mm)	Dimension A	Dimension B	PITCH	QTY

10	ELASTOMERIC CORD (2x)	ELASTOMER	WHITE
9	SLIDE-BOLT M5	STAINLESS STEEL	
8	WASHER M5	STAINLESS STEEL	
7	NUT M5	STAINLESS STEEL	
6	BASE-COVER	PBT 20%GF	BLACK
5	TOP-COVER	PBT 20% GF	BLACK
4	CONDUCTOR LONG	COPPER ALLOY	NICKEL PLATED
3	CONDUCTOR SHORT	COPPER ALLOY	NICKEL PLATED
2	SELF ADHESIVE TAPE	TAPE	TRANSPARENT/BLACK LETTERS
1	EXTRUSION	THERMOPLASTIC UL94V-0	WHITE
ITEM NO.	DESCRIPTION	MATERIAL	FINISH/COLOR

THIS DRAWING IS A CONTROLLED DOCUMENT FOR TYCO ELECTRONICS CORPORATION
 IT IS SUBJECT TO CHANGE AND THE CONTROLLING ENGINEERING ORGANIZATION
 SHOULD BE CONTACTED FOR THE LATEST REVISION.

DWN M. Scheggia 21 may 10
 CHK M. Grazioli 21 may 10
 APVD I. De Boer 21 may 10

Tyco Electronics Tyco Electronics Nederland BV
 's-Hertogenbosch, The Netherlands

NAME: BUSBAR ASSEMBLY RIGHT

PRODUCT SPEC: 108-19299

APPLICATION SPEC: -

MATERIAL: - FINISH: -

WEIGHT: -

CUSTOMER DRAWING

SIZE: A2 CAGE CODE: 00779 DRAWING NO: 1551683 RESTRICTED TO: -

SCALE: 5:1 SHEET 2 OF 2 REV: B1