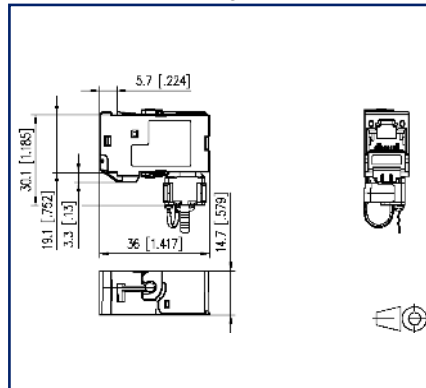


## Data sheet 25Gmodul 270° Jack

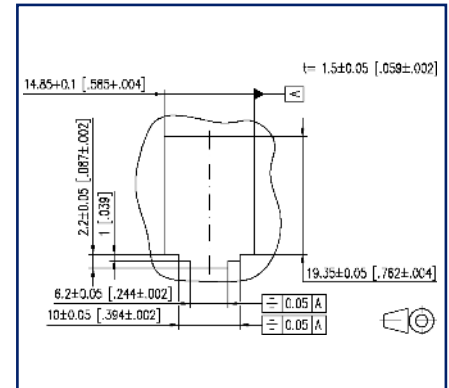
### Illustrations



Dimensional drawing



Cut-out



See enlarged drawings at the end of document

### Product specification

- certified by GHMT according to ISO/IEC TR-11801-9905 for 25GBASE-T in the Channel-Link with 30 m
- in preparation: ISO/IEC TR-11801-9909 for 25GBASE-T in channel link over 30 m
- completely downward compatible by complying with class E<sub>A</sub> according to ISO/IEC 11801-1 and DIN EN 50173-1 (within the permanent link up to 90m, within the permanent link up to 100m)
- RJ45 according to IEC 60603-7-1, 2 mounting versions: module and keystone
- mounting without special tools, low mounting and connection time
- migrating 10G-systems without special tools
- connection of patch- and installations cords is possible for: AWG 26/7 - 22/7 and AWG 26/1 - 22/1
- suitable for 25Gbit/s Ethernet (IEEE 802.3bq) and 10 Gbit/s Ethernet (IEEE 802.3an), Remote Powering (PoE, PoE plus, UPoE and 4PPoE), HDBaseT, SAT-IP and AVoverIP
- solid, reusable module housing refined with zinc die-casting
- intelligent cable management in stuffer caps - also suitable for heavily twisted cables - also easy installation in various applications
- strain relief by latching clip directly on the stuffer cap
- 360°-shield connection
- dust protection cover (optional)



# P | Cabling

## Data sheet 25Gmodul 270° Jack

Page 2/7

P/N  
130B12-25-E  
EAN 4251394629100  
2023/08/08  
Version: E

### Technical Data

#### General Data

|                                               |                                   |
|-----------------------------------------------|-----------------------------------|
| Fields of application                         | office areas                      |
| Mechanical measurement according to MICE      | M1                                |
| Ingress measurement according to MICE         | I1                                |
| Climatic measurement according to MICE        | C1                                |
| Electromagnetic measurement according to MICE | E2                                |
| Design                                        | Jack                              |
| Shielding                                     | shielded                          |
| Transmission technology                       | Copper                            |
| Wiring                                        | T568A, T568B                      |
| Color                                         | metallike                         |
| Dimensions                                    |                                   |
| Dimension (L x W x H)                         | 36 mm x 14.7 mm x 22.4 mm         |
| Dimension (L x W x H)                         | 1.417 in. x 0.579 in. x 0.882 in. |
| Modularity                                    | yes                               |
| Field assembly ability                        | yes                               |
| Labeling option                               | on housing                        |
| Marking option                                | by latching clip                  |

#### Transmission characteristics

|                                 |                |
|---------------------------------|----------------|
| Class (ISO/IEC)                 | E <sub>A</sub> |
| Remote Powering                 | yes            |
| PoE                             | IEEE 802.3af   |
| PoE plus                        | IEEE 802.3at   |
| UPoE                            | yes            |
| 4PPoE                           | IEEE 802.3bt   |
| HDBaseT                         | yes            |
| Transmission rate up to 10 GBit | IEEE 802.3an   |



### Technical Data

| Connections/interfaces                                       |                                               |
|--------------------------------------------------------------|-----------------------------------------------|
| Connector technology interface 1                             | IDC-connection                                |
| Connector technology interface 2                             | RJ45-jack                                     |
| Number of ports interface 2                                  | 1                                             |
| Number of ports interface 2 equipped                         | 1                                             |
| Number of positions/contacts interface 1                     | 8                                             |
| Number of positions/contacts interface 2                     | 8P/8C                                         |
| Termination data, solid wire (min. - max.)                   |                                               |
| Conductor cross section, solid wire                          | AWG 26/1 - AWG 22/1                           |
| Conductor cross section, solid wire                          | 0.128 mm <sup>2</sup> - 0.324 mm <sup>2</sup> |
| Conductor diameter, solid wire (bare copper)                 | 0.409 mm - 0.643 mm                           |
| Conductor diameter, solid wire (bare copper)                 | 0.016 in. - 0.025 in.                         |
| Termination data, stranded wire (min. - max.)                |                                               |
| Conductor cross section, stranded wire                       | AWG 26/7 - AWG 22/7                           |
| Conductor cross section, stranded wire                       | 0.141 mm <sup>2</sup> - 0.355 mm <sup>2</sup> |
| Conductor diameter, stranded wire (bare copper)              | 0.483 mm - 0.762 mm                           |
| Conductor diameter, stranded wire (bare copper)              | 0.019 in. - 0.03 in.                          |
| Cable access/outlet                                          | 270°                                          |
| Electrical characteristics                                   |                                               |
| Current carrying capacity                                    | max. 1 A                                      |
| Rated voltage                                                | max. 50 V                                     |
| Contact resistance                                           | max. 20 mOhm                                  |
| Through resistance                                           | max. 200 mOhm                                 |
| Insulation resistance                                        | min. 500 MOhm                                 |
| Dielectric strength conductor-conductor (secondary)          | max. 1000 V DC                                |
| Mechanical data                                              |                                               |
| Cut-out                                                      | module                                        |
| Mounting method                                              | snap-in function                              |
| Insertion and withdrawal force                               | max. 30 N                                     |
| Position/mounting of latch<br>standard installation position | top                                           |
| strain relief                                                | latching clip                                 |

### Technical Data

#### Materials and material properties

|                           |                       |
|---------------------------|-----------------------|
| Material - Housing        | GD-Zn (zinc die-cast) |
| Material - Contact        | Spring steel          |
| Material - Contact finish | Au (gold)             |
| Material - Shield         | GD-Zn (zinc die-cast) |
| Material - Stuffer cap    | PA 6.6 UL94 V0        |
| Material - Strain relief  | PA 6.6 UL94 V0        |
| Halogen free              | yes                   |
| Material - Finish         | Ni (nickel)           |
| RoHS                      | compliant             |

#### Environmental conditions

|                             |                                                    |
|-----------------------------|----------------------------------------------------|
| Rapid change of temperature | -40°C / -40°F - +70°C / 158°F / 25 cycles t=30 min |
|-----------------------------|----------------------------------------------------|

#### Approvals

|                      |                                                                                      |              |
|----------------------|--------------------------------------------------------------------------------------|--------------|
| UL listed (file no.) |  | DUXR.E178484 |
|----------------------|--------------------------------------------------------------------------------------|--------------|

#### Standards/Regulations

|                                                                                         |                                          |
|-----------------------------------------------------------------------------------------|------------------------------------------|
| Connectors for electronic equipment                                                     |                                          |
| Free and fixed connectors                                                               | IEC 60603-7-51                           |
| Connectors for electronic equipment - Tests and measurements                            |                                          |
| Test standard for connectors (engaging and separating connectors under electrical load) | DIN-EN 60512-99-001, DIN-EN 60512-99-002 |
| Endurance tests                                                                         | IEC 60512-9-3: 03-2009                   |
| Interference proof                                                                      |                                          |
| Immunity for industrial environments                                                    | DIN EN 61000-6-2:2006-03                 |
| Emission proof                                                                          |                                          |
| Electromagnetic emission for residential, commercial and light-industrial environments  | DIN EN 61000-6-3:2011-09                 |
| Climate tests                                                                           | IEC 60512-11                             |

# P | Cabling

## Data sheet 25Gmodul 270° Jack

Page 5/7

P/N  
130B12-25-E  
EAN 4251394629100  
2023/08/08  
Version: E

### Technical Data

#### Classifications

|          |          |
|----------|----------|
| ETIM 5.0 | EC001121 |
| ETIM 6.0 | EC001121 |
| ETIM 7.0 | EC001121 |
| ETIM 8.0 | EC001121 |
| ETIM 9.0 | EC001121 |

#### Packing details

|                   |                |
|-------------------|----------------|
| Type of packaging | 10 pc(s) / box |
|-------------------|----------------|



# P | Cabling

## Data sheet 25Gmodul 270° Jack

Page 6/7

P/N

130B12-25-E

EAN 4251394629100

2023/08/08

Version: E

### Accessories from

| P/N          | Designation                                                    |
|--------------|----------------------------------------------------------------|
| 1309460003-I | Modul IP44SG surface mounted housing unequipped                |
| 1309461002-I | E-DAT modul IP44SG flush mounted housing pure white unequipped |
| 1309461003-I | E-DAT modul IP44SG flush mounted housing gray unequipped       |



# P | Cabling

Data sheet

## 25Gmodul 270° Jack

Page 7/7

P/N  
130B12-25-E

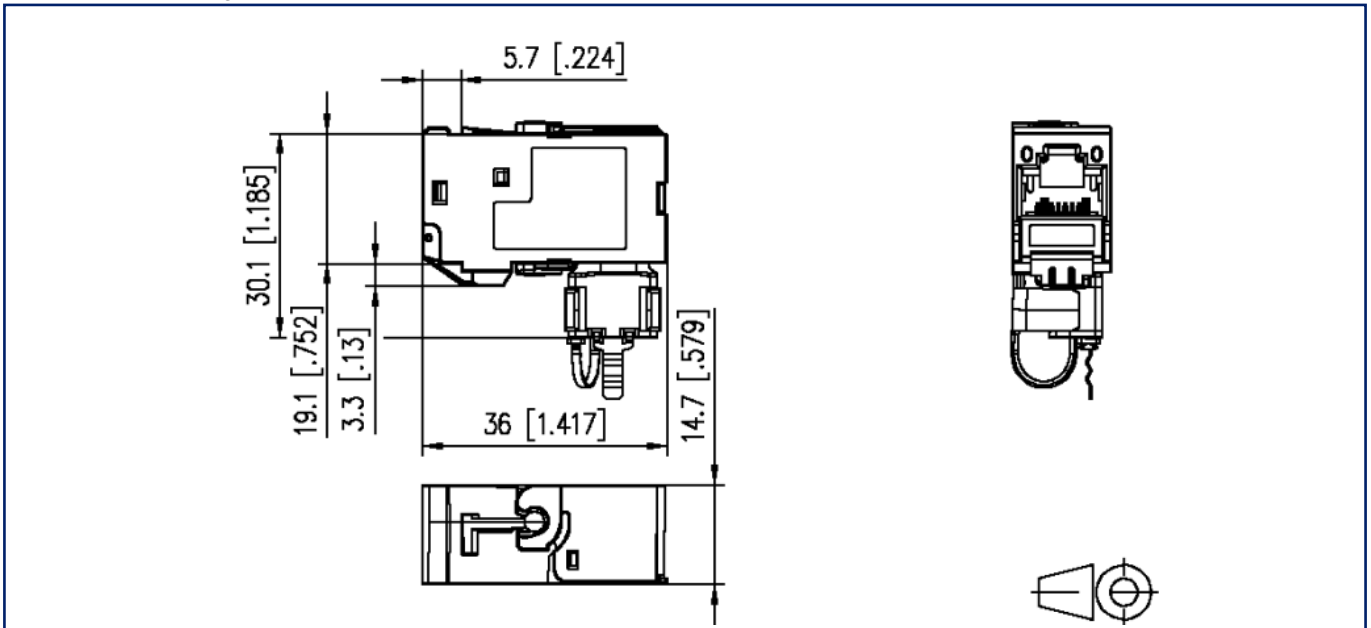
EAN 4251394629100

2023/08/08

Version: E

### Illustrations

Dimensional drawing



Cut-out

