

NOTES

- 1. 端子テール部及びネイルの平坦度:0.1 MAX.
- △2 TAIL AND NAIL COPLANARITY TO BE 0.1 MAX.
極数/2 = 偶数に適用
- △3 APPLY FOR CIRCUIT SIZE / 2 =EVEN
適用製品及び各種仕様書はSHEET 5を参照のこと
REFER TO SHEET 5 ABOUT APPLICABLE PRODUCTS
AND VARIOUS SPECIFICATIONS.
- △4 オーダー番号(製品番号) : SHEET 6の製品一覧を参照ください
ORDER No (MATERIAL No) : REFER TO SHEET 6 FOR PRODUCT LIST

502584 ****

↑ ↑ ↑ ↑

シリーズ番号 極数 色 カバーテープ

SERIES NO CIRCUIT SIZE COLOR COVER TAPE

| | | | | | |
|------|---------|------|------|------------------|----|
| 25 | | 21 | 26.8 | | 15 |
| 23.5 | | 19.5 | 25.3 | | 14 |
| 22 | | 18 | 23.8 | | 13 |
| 20.5 | | 16.5 | 22.3 | | 12 |
| 19 | ±0.25 | 15 | 20.8 | ±0.25 | 11 |
| 17.5 | | 13.5 | 19.3 | | 10 |
| 16 | | 12 | 17.8 | | 9 |
| 14.5 | | 10.5 | 16.3 | | 8 |
| 13 | | 9 | 14.8 | | 7 |
| 11.5 | | 7.5 | 13.3 | | 6 |
| 10 | | 6 | 11.8 | | 5 |
| 8.5 | (±0.20) | 4.5 | 10.3 | (±0.20) | 4 |
| 7 | | 3 | 8.8 | | 3 |
| 5.5 | | 1.5 | 7.3 | | 2 |
| C | | B | A | 極数 CIRCUIT NO | |

| 番号 NO. | 部品 PART | 材質 MATERIAL |
|-----------|-------------------|--|
| ① | ハウジング HOUSING | ポリアミド(PA) UL94V-0 色 : SEE CHART POLYAMIDE(PA) UL94V-0 COLOR : SEE CHART |
| ② | ターミナル TERMINAL | 銅合金 COPPER ALLOY |
| | | 錫めっき : 1.0 micro-meter MIN MATTE TIN PLATING ニッケルめっき(下地) : 1.0 micro-meter MIN NICKEL (UNDER PLATING) |
| ③ | ネイル NAIL | 黄銅 BRASS |
| | | 錫めっき : 1.0 micro-meter MIN MATTE TIN PLATING ニッケルめっき(下地) : 1.0 micro-meter MIN NICKEL (UNDER PLATING) |

| CIRCUIT | No | COVER TAPE | No | COLOR | No | COLOR |
|---------|----|------------|----|---------------------------------|----|----------|
| 02 ~ 15 | 6 | WITH | 0 | ナチュラル NATURAL (ページユ) (BEIGE) | 5 | 桃 PINK |
| | | | 1 | 黒 BLACK | 6 | 緑 GREEN |
| | 7 | WITHOUT | 2 | 赤 RED | 7 | 茶 BROWN |
| | | | 3 | 黄 YELLOW | 8 | 橙 ORANGE |
| | | | 4 | 青 BLUE | 9 | 紫 VIOLET |

THIS DRAWING CONTAINS INFORMATION THAT IS PROPRIETARY TO MOLEX ELECTRONIC TECHNOLOGIES, LLC AND SHOULD NOT BE USED WITHOUT WRITTEN PERMISSION

mm NTS SCALE

GENERAL TOLERANCES (UNLESS SPECIFIED)

ANGULAR TOL ± 3.0°

4 PLACES ± 0.2

3 PLACES ± 0.2

2 PLACES ± 0.2

1 PLACE ± 0.2

0 PLACES ± 0.2

DRAFT WHERE APPLICABLE MUST REMAIN WITHIN DIMENSIONS

THIRD ANGLE PROJECTION

DRAWING SERIES MATERIAL NUMBER CUSTOMER SHEET NUMBER

A3-SIZE 502584 GENERAL 1 OF 6

EC NO: 638671
DRWN: MIKEDA01 2020/06/01
CHK'D: SAKIYAMA 2020/06/02
APPR: KOMURAKAMI 2020/06/02

INITIAL REVISION:
DRWN: AISHIKAWA 2018/03/16
APPR: KOMURAKAMI 2020/03/03

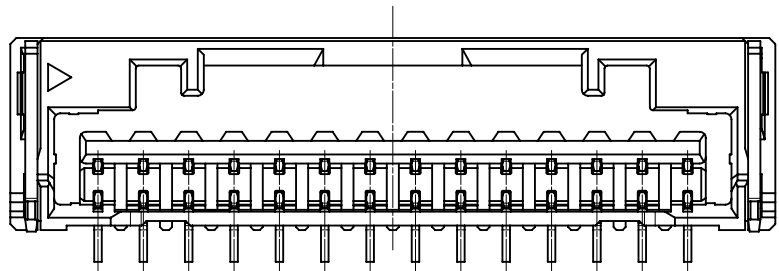
DOCUMENT NUMBER DOC TYPE DOC PART REVISION

5025840000-SD PSD 000 C

molex

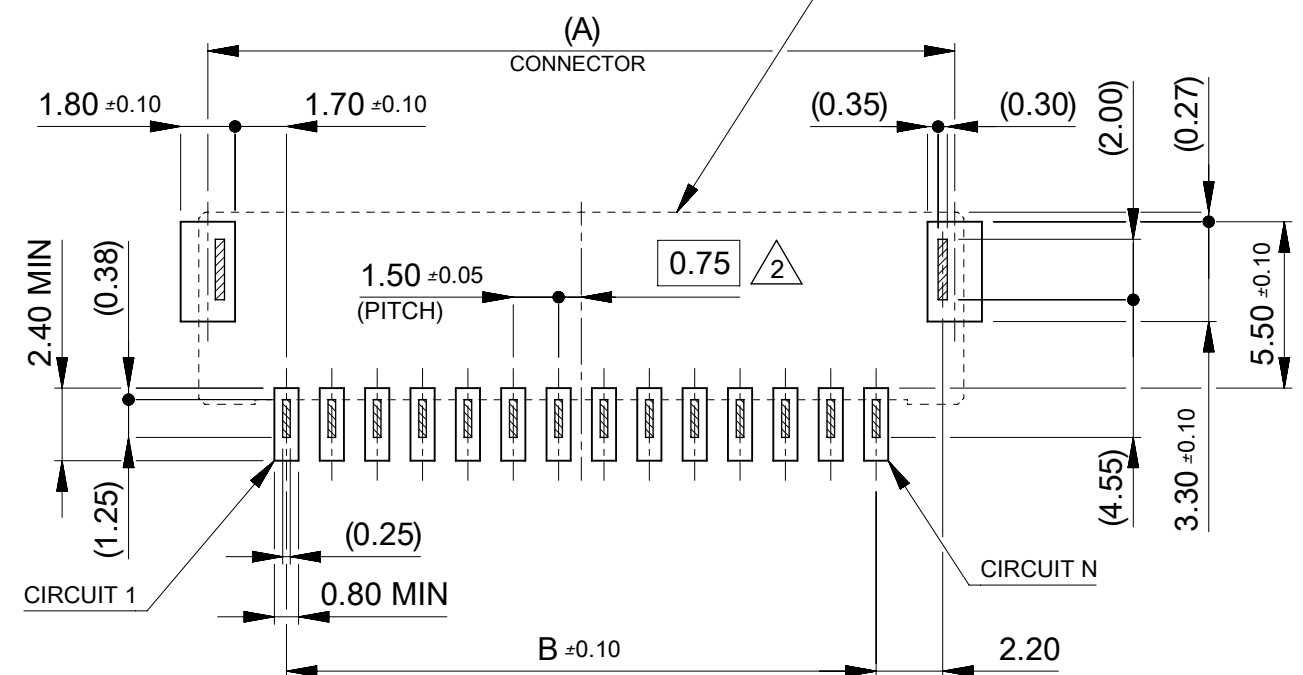
CLIK-MATE 1.5
SINGLE ROW SMT VT TYPE REC ASSY
TIN PLATING

PRODUCT CUSTOMER DRAWING



製品レイアウト
PRODUCT LAYOUT

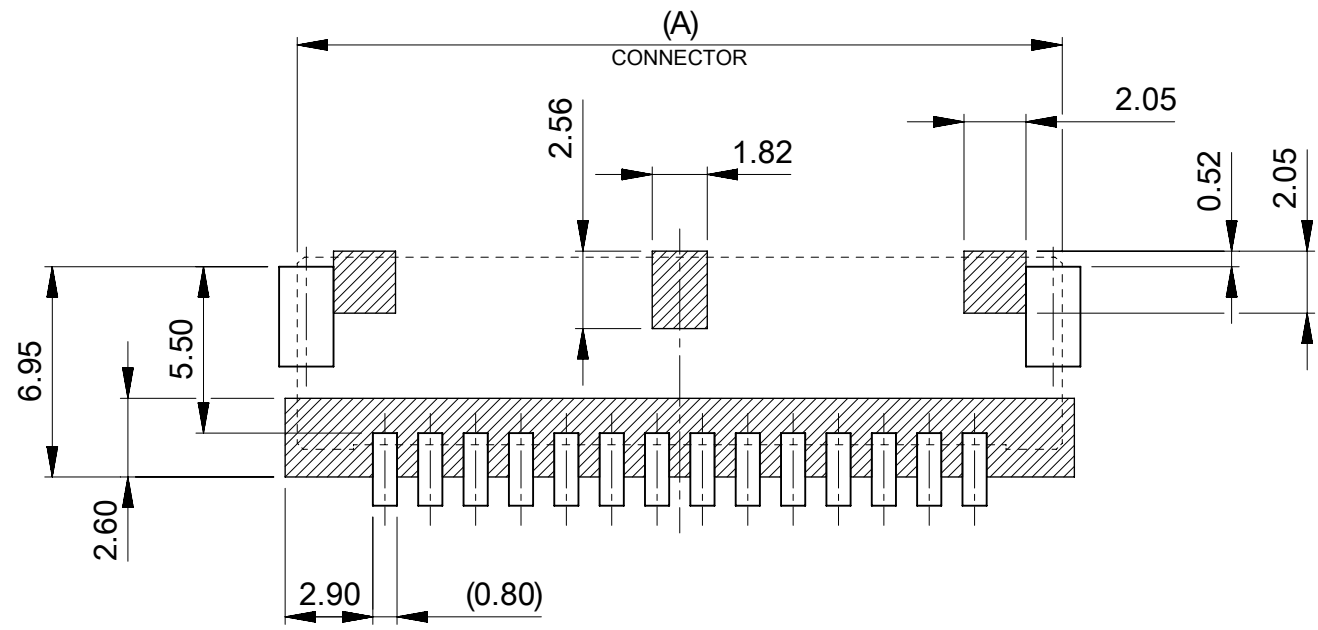
コネクタ外形
CONNECTOR OUTLINE



基板レイアウト(参考)

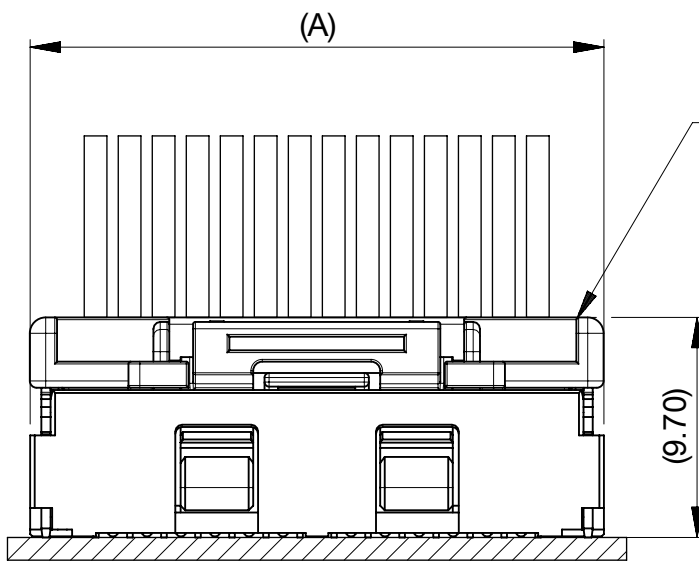
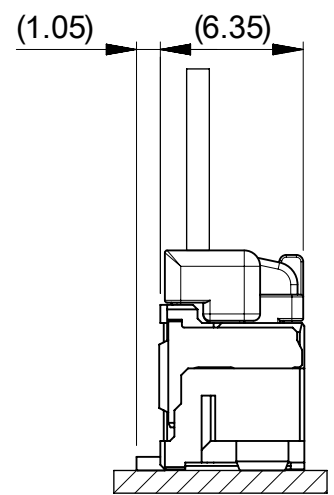
PCB PATTERN LAYOUT (REFERENCE)

(参考: メタルマスク厚さ 0.10mm, マスク開口率100%)
(REFERENCE: METAL STENCIL THICKNESS 0.10mm, APERTURE RATIO 100%)



パターン非推奨エリア

パターンを引き回す際は、製品機能に影響がないことをご確認ください。
PATTERN IS NOT RECCOMENDED ON THE HATCHED AREA.
PLEASE CHECK NOT TO HAVE PROBLEM FOR PRODUCT FUNCTION
WHEN SETTING PATTERN ON THE HATCHED AREA.



嵌合相手: 502578 シリーズ
MATE WITH: 502578 SERIES

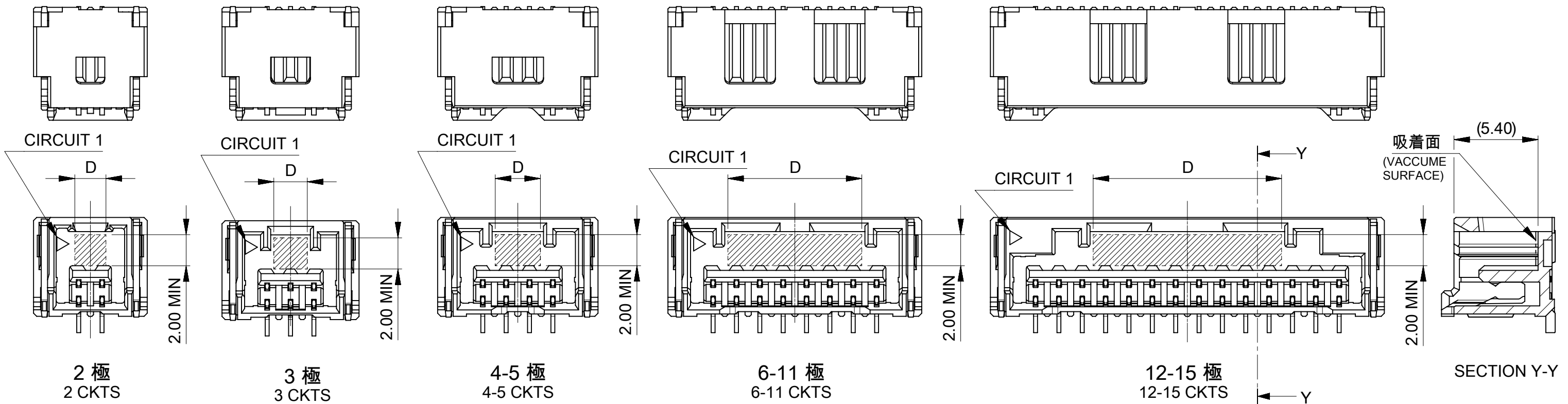
嵌合図
MATED CONNECTORS

| | | | | | | |
|---|--------|------------------------|---------|---|-----------------|--------------|
| THIS DRAWING CONTAINS INFORMATION THAT IS PROPRIETARY TO MOLEX ELECTRONIC TECHNOLOGIES, LLC AND SHOULD NOT BE USED WITHOUT WRITTEN PERMISSION | | CURRENT REV DESC: | | molex | | |
| DIMENSION UNITS | SCALE | | | | | |
| mm | NTS | | | CLIK-MATE 1.5 SINGLE ROW SMT VT TYPE REC ASSY TIN PLATING | | |
| GENERAL TOLERANCES (UNLESS SPECIFIED) | | | | PRODUCT CUSTOMER DRAWING | | |
| ANGULAR TOL | ± 3.0° | | | DOCUMENT NUMBER | | |
| 4 PLACES | ± 0.2 | EC NO: 638671 | | 5025840000-SD | | |
| 3 PLACES | ± 0.2 | DRWN: MIKEDA01 | | DOC TYPE | | |
| 2 PLACES | ± 0.2 | CHK'D: SAKIYAMA | | PSD | | |
| 1 PLACE | ± 0.2 | APPR: KOMURAKAMI | | DOC PART | | |
| 0 PLACES | ± 0.2 | INITIAL REVISION: | | REVISION | | |
| DRAFT WHERE APPLICABLE MUST REMAIN WITHIN DIMENSIONS | | THIRD ANGLE PROJECTION | DRAWING | SERIES | MATERIAL NUMBER | CUSTOMER |
| | | | A3-SIZE | 502584 | GENERAL | SHEET NUMBER |
| | | | | | | 2 OF 6 |

WITHOUT COVER TAPE

MATERIAL No. : 502584 **7*

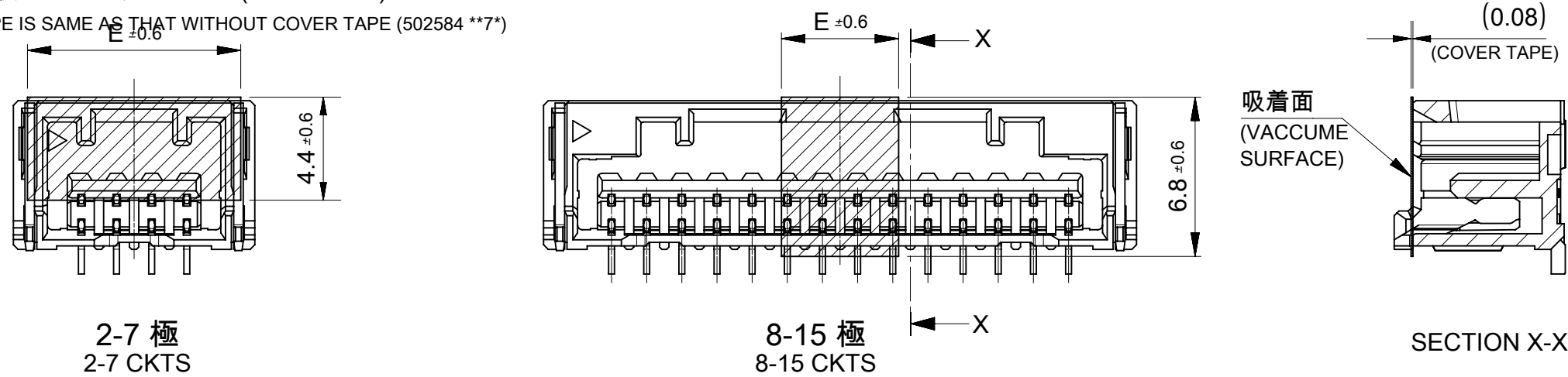
ロック形状および吸着エリア
LOCK SHAPE AND VACCUME AREA



WITH COVER TAPE

MATERIAL No. : 502584 **6*

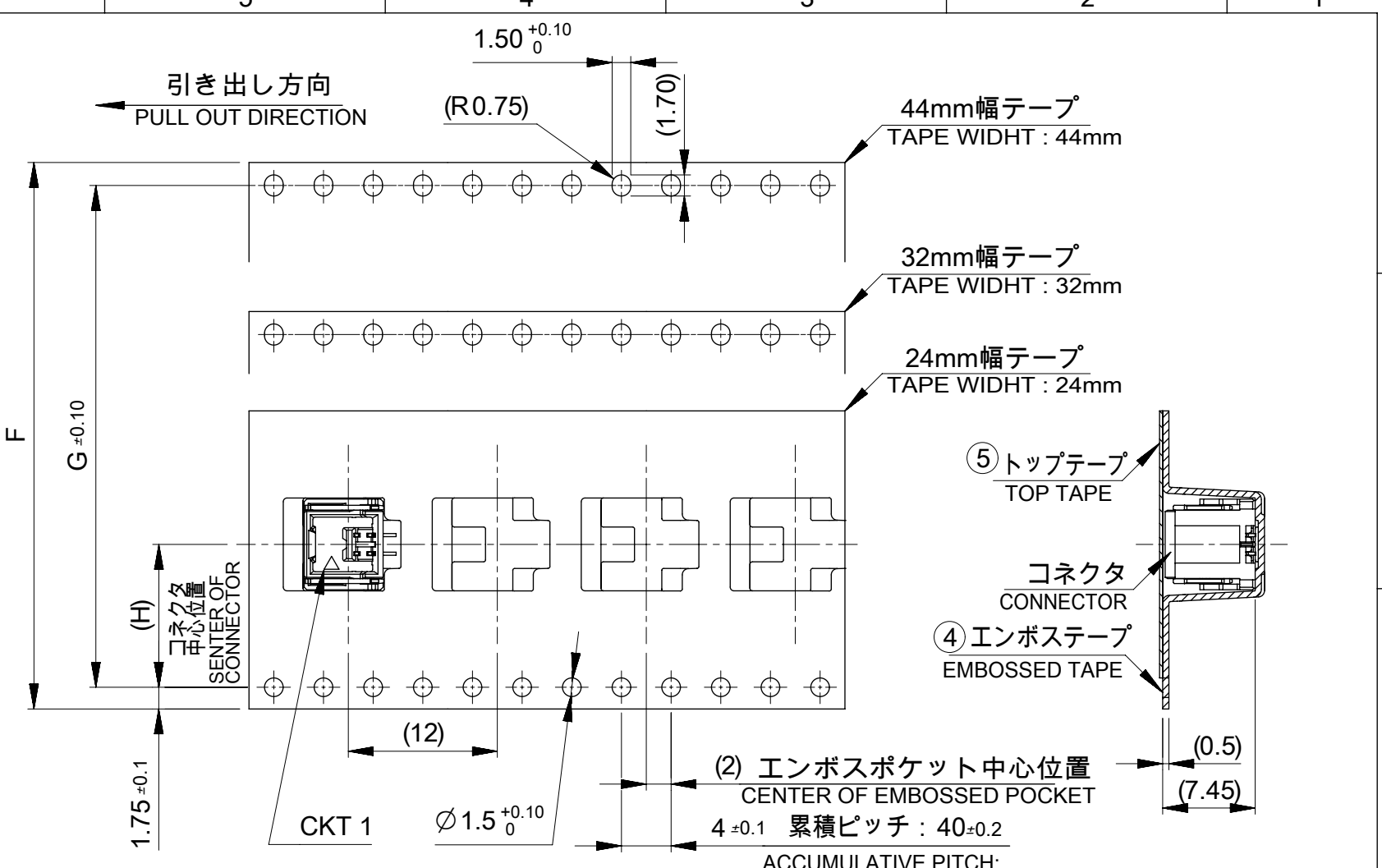
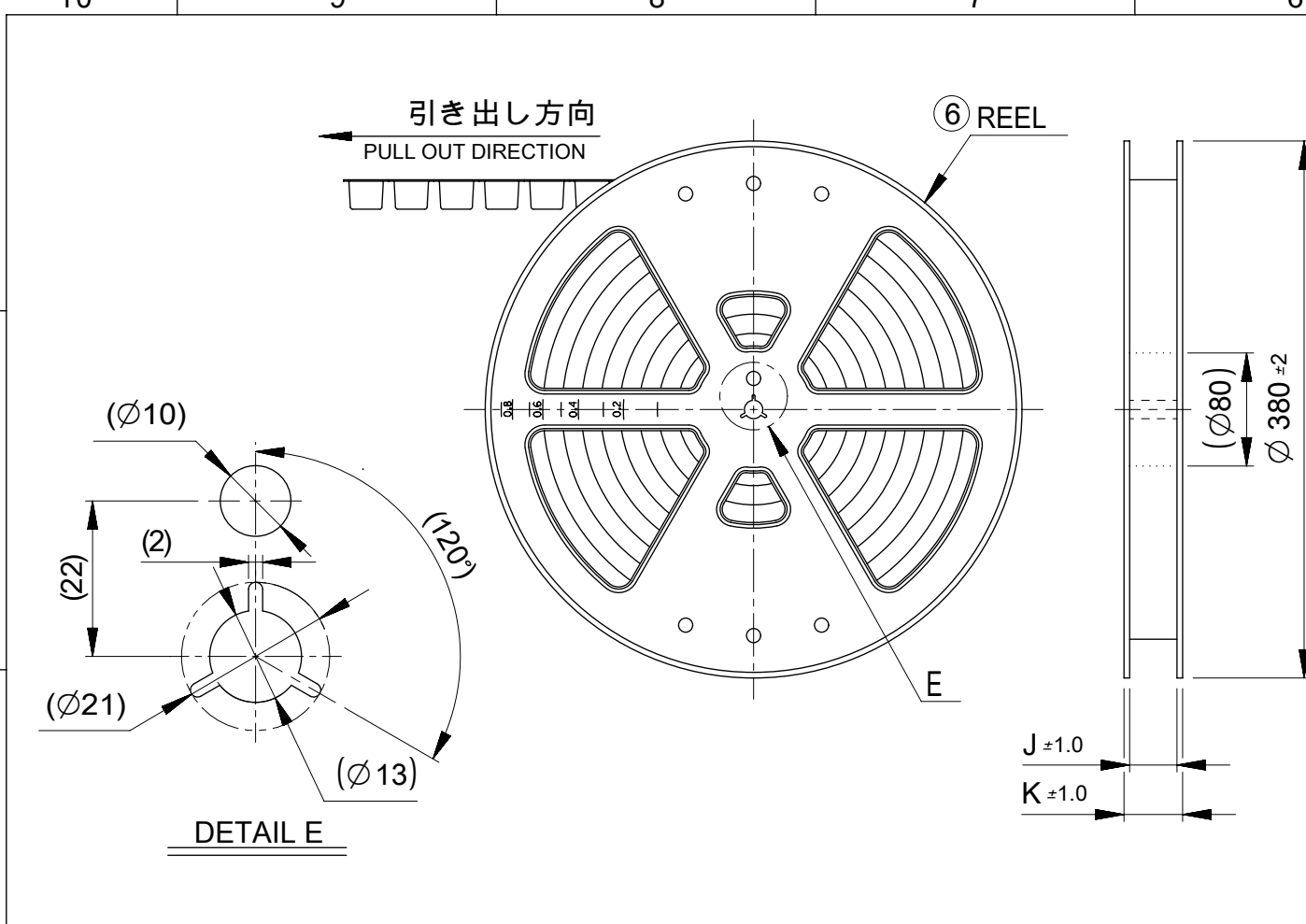
ロック形状はカバーテープなし(502584 **7*)と共通
LOCK SHAPE IS SAME AS THAT WITHOUT COVER TAPE (502584 **7*)



| | | |
|------|------|------------------|
| 5.0 | 12.1 | 15 |
| | | 14 |
| | | 13 |
| 10.1 | 10.1 | 12 |
| | | 11 |
| | | 10 |
| 8.6 | 8.6 | 9 |
| | | 8 |
| | | 7 |
| 13.6 | 7.1 | 7 |
| 12.1 | 6.2 | 6 |
| 10.6 | 3.2 | 5 |
| 9.1 | 2.9 | 4 |
| 7.6 | 2.15 | 3 |
| 6.1 | 2.0 | 2 |
| E | D | 極数 CIRCUIT NO |

THIS DRAWING CONTAINS INFORMATION THAT IS PROPRIETARY TO MOLEX ELECTRONIC TECHNOLOGIES, LLC AND SHOULD NOT BE USED WITHOUT WRITTEN PERMISSION

| | | | | | | |
|--|--------------|------------------------|-------|--------------------|---------------------|---|
| DIMENSION UNITS mm | SCALE NTS | CURRENT REV DESC: | | molex | | |
| GENERAL TOLERANCES (UNLESS SPECIFIED) | | EC NO: 638671 | | | | |
| ANGULAR TOL | ± 3.0 ° | 4 PLACES | ± 0.2 | DRWN: MIKEDA01 | 2020/06/01 | PRODUCT CUSTOMER DRAWING |
| 3 PLACES | ± 0.2 | 2 PLACES | ± 0.2 | CHK'D: SAKIYAMA | 2020/06/02 | |
| 2 PLACES | ± 0.2 | 1 PLACE | ± 0.2 | APPR: KOMURAKAMI | 2020/06/02 | DOCUMENT NUMBER 5025840000-SD |
| 1 PLACE | ± 0.2 | 0 PLACES | ± 0.2 | INITIAL REVISION: | | |
| DRAFT WHERE APPLICABLE MUST REMAIN WITHIN DIMENSIONS | | THIRD ANGLE PROJECTION | | DRWN: AISHIKAWA | 2018/03/16 | DOC PART 000 |
| | | | | APPR: KOMURAKAMI | 2020/03/03 | REVISION C |
| | | | | DRAWING A3-SIZE | SERIES 502584 | SHEET NUMBER 3 OF 6 |
| | | | | MATERIAL NUMBER | CUSTOMER GENERAL | |



NOTES

- 5. 梱包数量 : 900個/リール
NUMBER OF CONNECTORS : 900 PIECES/REEL
 - 6. リードテープ長さ
LEAD TAPE LENGTH
-
- 7. トップテープの剥離強度はJIS C0806-3に準拠
TOP TAPE PEELING FORCE IS DEFINED BY JIS C0806-3.
 - 8. 本製品は乾燥剤入り、ハイバリア梱包である
THIS PRODUCT IS DELIVERD IN HIGH BARRIER PACKAGE WITH DESICCANT.

| | | | | | |
|------|------|------|------|--------------------------------------|------------------|
| 49.4 | 45.4 | 20.2 | 40.4 | 44 ± 0.3 | 15 |
| | | | | | 14 |
| | | | | | 13 |
| | | | | | 12 |
| | | | | | 11 |
| | | | | | 10 |
| 37.4 | 33.4 | 14.2 | 28.4 | 32 ± 0.3 | 9 |
| | | | | | 8 |
| | | | | | 7 |
| | | | | | 6 |
| 29.4 | 25.4 | 11.5 | - | 24 ^{+0.3} / _{-0.1} | 5 |
| | | | | | 4 |
| | | | | | 3 |
| | | | | | 2 |
| K | J | H | G | エンボステープ幅F WIDTH OF TAPE | 極数 CIRCUIT NO |

| 番号 NO. | 部品 PART | 材質 MATERIAL |
|-----------|---------------------------|--|
| ④ | エンボステープ EMBOSSSED TAPE | ポリスチレン(PS) POLYSTYRENE(PS) |
| ⑤ | トップテープ TOP TAPE | ポリエチレン、ポリエチレンテレフタレート POLYETHLENE(PE), POLYETHYLENE TEREPHTHALATE(PET) |
| ⑥ | リール REEL | ポリスチレン(PS) <リサイクル材を含む> POLYSTYRENE(PS) <RECYCLE MATERIAL CONTAINED> |

THIS DRAWING CONTAINS INFORMATION THAT IS PROPRIETARY TO MOLEX ELECTRONIC TECHNOLOGIES, LLC AND SHOULD NOT BE USED WITHOUT WRITTEN PERMISSION

| | | | |
|--|--------------|--|-----------------|
| DIMENSION UNITS mm | SCALE NTS | CURRENT REV DESC: | |
| GENERAL TOLERANCES (UNLESS SPECIFIED) | | <p>molex</p> <p>CLIK-MATE 1.5 SINGLE ROW SMT VT TYPE REC ASSY TIN PLATING</p> <p>PRODUCT CUSTOMER DRAWING</p> | |
| ANGULAR TOL | ± 3.0 ° | | |
| 4 PLACES | ± 0.2 | | |
| 3 PLACES | ± 0.2 | | |
| 2 PLACES | ± 0.2 | | |
| 1 PLACE | ± 0.2 | EC NO: 638671 | 2020/06/01 |
| 0 PLACES | ± 0.2 | DRWN: MIKEDA01 | 2020/06/02 |
| DRAFT WHERE APPLICABLE MUST REMAIN WITHIN DIMENSIONS | | CHK'D: SAKIYAMA | 2020/06/02 |
| THIRD ANGLE PROJECTION | | APPR: KOMURAKAMI | 2020/06/02 |
| DRAWING | | INITIAL REVISION: | DOCUMENT NUMBER |
| A3-SIZE | | DRWN: AISHIKAWA | 5025840000-SD |
| SERIES | | APPR: KOMURAKAMI | DOC TYPE |
| 502584 | | 2018/03/16 | PSD |
| MATERIAL NUMBER | | 2020/03/03 | DOC PART |
| CUSTOMER | | | 000 |
| SHEET NUMBER | | | C |
| GENERAL | | | |
| 4 OF 6 | | | |

△ 3 適用製品及び各種仕様書
 APPLICABLE PRODUCTS AND VARIOUS SPECIFICATIONS

| | | |
|----------------------------------|----------------------------|-----------------|
| 梱包仕様書 PACKAGING SPECIFICATION | PART NUMBER | DOCUMENT NUMBER |
| | 502584 **7* 502584 **6* | SPK-502584-001 |

| | | | |
|--|---------------|------------------------|-------------|
| 適用嵌合相手 MATE WITH | HOUSING | TERMINAL (TIN PLATING) | |
| | | #24-28 | #28-30 |
| シリーズ番号 SERIES NUMBER | 502578 | 502579 0000 | 503429 0000 |
| 製品仕様書 PRODUCT SPECIFICATION | 5025780000-PS | | |
| アプリケーション仕様書 APPLICATION SPECIFICATION | AS-502578-001 | | |

| | | | | | | | | | | |
|---|-------|---|--|---------|--|---|--|----------|----------|--------------|
| THIS DRAWING CONTAINS INFORMATION THAT IS PROPRIETARY TO MOLEX ELECTRONIC TECHNOLOGIES, LLC AND SHOULD NOT BE USED WITHOUT WRITTEN PERMISSION | | | | | | | | | | |
| DIMENSION UNITS | SCALE | CURRENT REV DESC: | | | | molex | | | | |
| mm | NTS | | | | | | | | | |
| GENERAL TOLERANCES (UNLESS SPECIFIED) | | EC NO: 638671 DRWN: MIKEDA01 2020/06/01 CHK'D: SAKIYAMA 2020/06/02 APPR: KOMURAKAMI 2020/06/02 INITIAL REVISION: DRWN: AISHIKAWA 2018/03/16 APPR: KOMURAKAMI 2020/03/03 | | | | CLIK-MATE 1.5 SINGLE ROW SMT VT TYPE REC ASSY TIN PLATING | | | | |
| ANGULAR TOL ± 3.0 ° | | | | | | PRODUCT CUSTOMER DRAWING | | | | |
| 4 PLACES ± 0.2 | | | | | | DOCUMENT NUMBER | | DOC TYPE | DOC PART | REVISION |
| 3 PLACES ± 0.2 | | | | | | 5025840000-SD | | PSD | 000 | C |
| 2 PLACES ± 0.2 | | | | | | MATERIAL NUMBER | | CUSTOMER | | SHEET NUMBER |
| 1 PLACE ± 0.2 | | | | | | 502584 | | GENERAL | | 5 OF 6 |
| 0 PLACES ± 0.2 | | DRAWING | | SERIES | | | | | | |
| DRAFT WHERE APPLICABLE MUST REMAIN WITHIN DIMENSIONS | | THIRD ANGLE PROJECTION | | A3-SIZE | | | | | | |

4 製品一覧 PRODUCT LIST

| HOUSING COLOR : BLUE | | HOUSING COLOR : YELLOW | | HOUSING COLOR : RED | | HOUSING COLOR : BLACK | | HOUSING COLOR : NATURAL (BEIGE) | | |
|----------------------|-----------------|------------------------|-----------------|---------------------|-----------------|-----------------------|-----------------|---------------------------------|-----------------|----|
| WITHOUT COVER TAPE | WITH COVER TAPE | WITHOUT COVER TAPE | WITH COVER TAPE | WITHOUT COVER TAPE | WITH COVER TAPE | WITHOUT COVER TAPE | WITH COVER TAPE | WITHOUT COVER TAPE | WITH COVER TAPE | |
| 502584 1574 | 502584 1564 | 502584 1573 | 502584 1563 | 502584 1572 | 502584 1562 | 502584 1571 | 502584 1561 | 502584 1570 | 502584 1560 | 15 |
| 502584 1474 | 502584 1464 | 502584 1473 | 502584 1463 | 502584 1472 | 502584 1462 | 502584 1471 | 502584 1461 | 502584 1470 | 502584 1460 | 14 |
| 502584 1374 | 502584 1364 | 502584 1373 | 502584 1363 | 502584 1372 | 502584 1362 | 502584 1371 | 502584 1361 | 502584 1370 | 502584 1360 | 13 |
| 502584 1274 | 502584 1264 | 502584 1273 | 502584 1263 | 502584 1272 | 502584 1262 | 502584 1271 | 502584 1261 | 502584 1270 | 502584 1260 | 12 |
| 502584 1174 | 502584 1164 | 502584 1173 | 502584 1163 | 502584 1172 | 502584 1162 | 502584 1171 | 502584 1161 | 502584 1170 | 502584 1160 | 11 |
| 502584 1074 | 502584 1064 | 502584 1073 | 502584 1063 | 502584 1072 | 502584 1062 | 502584 1071 | 502584 1061 | 502584 1070 | 502584 1060 | 10 |
| 502584 0974 | 502584 0964 | 502584 0973 | 502584 0963 | 502584 0972 | 502584 0962 | 502584 0971 | 502584 0961 | 502584 0970 | 502584 0960 | 9 |
| 502584 0874 | 502584 0864 | 502584 0873 | 502584 0863 | 502584 0872 | 502584 0862 | 502584 0871 | 502584 0861 | 502584 0870 | 502584 0860 | 8 |
| 502584 0774 | 502584 0764 | 502584 0773 | 502584 0763 | 502584 0772 | 502584 0762 | 502584 0771 | 502584 0761 | 502584 0770 | 502584 0760 | 7 |
| 502584 0674 | 502584 0664 | 502584 0673 | 502584 0663 | 502584 0672 | 502584 0662 | 502584 0671 | 502584 0661 | 502584 0670 | 502584 0660 | 6 |
| 502584 0574 | 502584 0564 | 502584 0573 | 502584 0563 | 502584 0572 | 502584 0562 | 502584 0571 | 502584 0561 | 502584 0570 | 502584 0560 | 5 |
| 502584 0474 | 502584 0464 | 502584 0473 | 502584 0463 | 502584 0472 | 502584 0462 | 502584 0471 | 502584 0461 | 502584 0470 | 502584 0460 | 4 |
| 502584 0374 | 502584 0364 | 502584 0373 | 502584 0363 | 502584 0372 | 502584 0362 | 502584 0371 | 502584 0361 | 502584 0370 | 502584 0360 | 3 |
| 502584 0274 | 502584 0264 | 502584 0273 | 502584 0263 | 502584 0272 | 502584 0262 | 502584 0271 | 502584 0261 | 502584 0270 | 502584 0260 | 2 |

オーダー番号 ORDER No

極数
CIRCUIT

| HOUSING COLOR : VIOLET | | HOUSING COLOR : ORANGE | | HOUSING COLOR : BROWN | | HOUSING COLOR : GREEN | | HOUSING COLOR : PINK | | |
|------------------------|-----------------|------------------------|-----------------|-----------------------|-----------------|-----------------------|-----------------|----------------------|-----------------|----|
| WITHOUT COVER TAPE | WITH COVER TAPE | WITHOUT COVER TAPE | WITH COVER TAPE | WITHOUT COVER TAPE | WITH COVER TAPE | WITHOUT COVER TAPE | WITH COVER TAPE | WITHOUT COVER TAPE | WITH COVER TAPE | |
| 502584 1579 | 502584 1569 | 502584 1578 | 502584 1568 | 502584 1577 | 502584 1567 | 502584 1576 | 502584 1566 | 502584 1575 | 502584 1565 | 15 |
| 502584 1479 | 502584 1469 | 502584 1478 | 502584 1468 | 502584 1477 | 502584 1467 | 502584 1476 | 502584 1466 | 502584 1475 | 502584 1465 | 14 |
| 502584 1379 | 502584 1369 | 502584 1378 | 502584 1368 | 502584 1377 | 502584 1367 | 502584 1376 | 502584 1366 | 502584 1375 | 502584 1365 | 13 |
| 502584 1279 | 502584 1269 | 502584 1278 | 502584 1268 | 502584 1277 | 502584 1267 | 502584 1276 | 502584 1266 | 502584 1275 | 502584 1265 | 12 |
| 502584 1179 | 502584 1169 | 502584 1178 | 502584 1168 | 502584 1177 | 502584 1167 | 502584 1176 | 502584 1166 | 502584 1175 | 502584 1165 | 11 |
| 502584 1079 | 502584 1069 | 502584 1078 | 502584 1068 | 502584 1077 | 502584 1067 | 502584 1076 | 502584 1066 | 502584 1075 | 502584 1065 | 10 |
| 502584 0979 | 502584 0969 | 502584 0978 | 502584 0968 | 502584 0977 | 502584 0967 | 502584 0976 | 502584 0966 | 502584 0975 | 502584 0965 | 9 |
| 502584 0879 | 502584 0869 | 502584 0878 | 502584 0868 | 502584 0877 | 502584 0867 | 502584 0876 | 502584 0866 | 502584 0875 | 502584 0865 | 8 |
| 502584 0779 | 502584 0769 | 502584 0778 | 502584 0768 | 502584 0777 | 502584 0767 | 502584 0776 | 502584 0766 | 502584 0775 | 502584 0765 | 7 |
| 502584 0679 | 502584 0669 | 502584 0678 | 502584 0668 | 502584 0677 | 502584 0667 | 502584 0676 | 502584 0666 | 502584 0675 | 502584 0665 | 6 |
| 502584 0579 | 502584 0569 | 502584 0578 | 502584 0568 | 502584 0577 | 502584 0567 | 502584 0576 | 502584 0566 | 502584 0575 | 502584 0565 | 5 |
| 502584 0479 | 502584 0469 | 502584 0478 | 502584 0468 | 502584 0477 | 502584 0467 | 502584 0476 | 502584 0466 | 502584 0475 | 502584 0465 | 4 |
| 502584 0379 | 502584 0369 | 502584 0378 | 502584 0368 | 502584 0377 | 502584 0367 | 502584 0376 | 502584 0366 | 502584 0375 | 502584 0365 | 3 |
| 502584 0279 | 502584 0269 | 502584 0278 | 502584 0268 | 502584 0277 | 502584 0267 | 502584 0276 | 502584 0266 | 502584 0275 | 502584 0265 | 2 |

オーダー番号 ORDER No

極数
CIRCUIT

| | | | | | | | | |
|---|---------|--|--|--|--|--------------|----------|----------|
| THIS DRAWING CONTAINS INFORMATION THAT IS PROPRIETARY TO MOLEX ELECTRONIC TECHNOLOGIES, LLC AND SHOULD NOT BE USED WITHOUT WRITTEN PERMISSION | | CURRENT REV DESC: | | molex | | | | |
| DIMENSION UNITS | SCALE | EC NO: 638671 | | | | | | |
| mm | NTS | DRWN: MIKEDA01 2020/06/01 | | SINGLE ROW SMT VT TYPE REC ASSY TIN PLATING | | | | |
| GENERAL TOLERANCES (UNLESS SPECIFIED) | | CHK'D: SAKIYAMA 2020/06/02 | | | | | | |
| ANGULAR TOL | ± 3.0 ° | APPR: KOMURAKAMI 2020/06/02 | | PRODUCT CUSTOMER DRAWING | | | | |
| 4 PLACES | ± 0.2 | INITIAL REVISION: | | | | | | |
| 3 PLACES | ± 0.2 | DRWN: AISHIKAWA 2018/03/16 | | DOCUMENT NUMBER | | DOC TYPE | DOC PART | REVISION |
| 2 PLACES | ± 0.2 | APPR: KOMURAKAMI 2020/03/03 | | 5025840000-SD | | PSD | 000 | C |
| 1 PLACE | ± 0.2 | DRAFT WHERE APPLICABLE MUST REMAIN WITHIN DIMENSIONS | | SERIES | | SHEET NUMBER | | |
| 0 PLACES | ± 0.2 | THIRD ANGLE PROJECTION | | A3-SIZE | | 6 OF 6 | | |