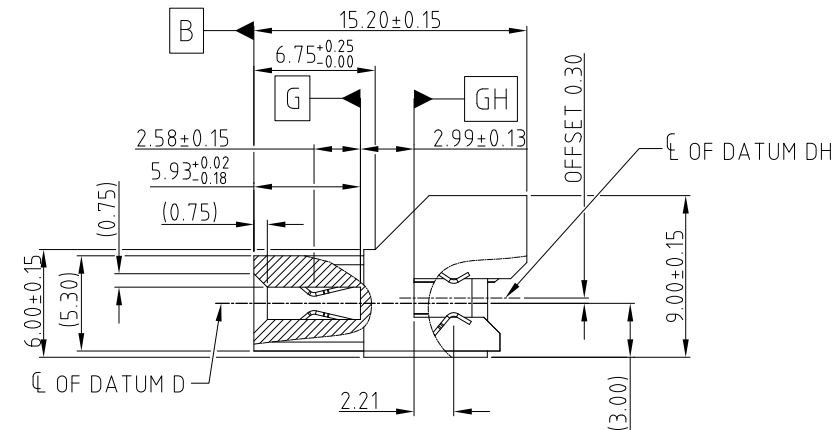
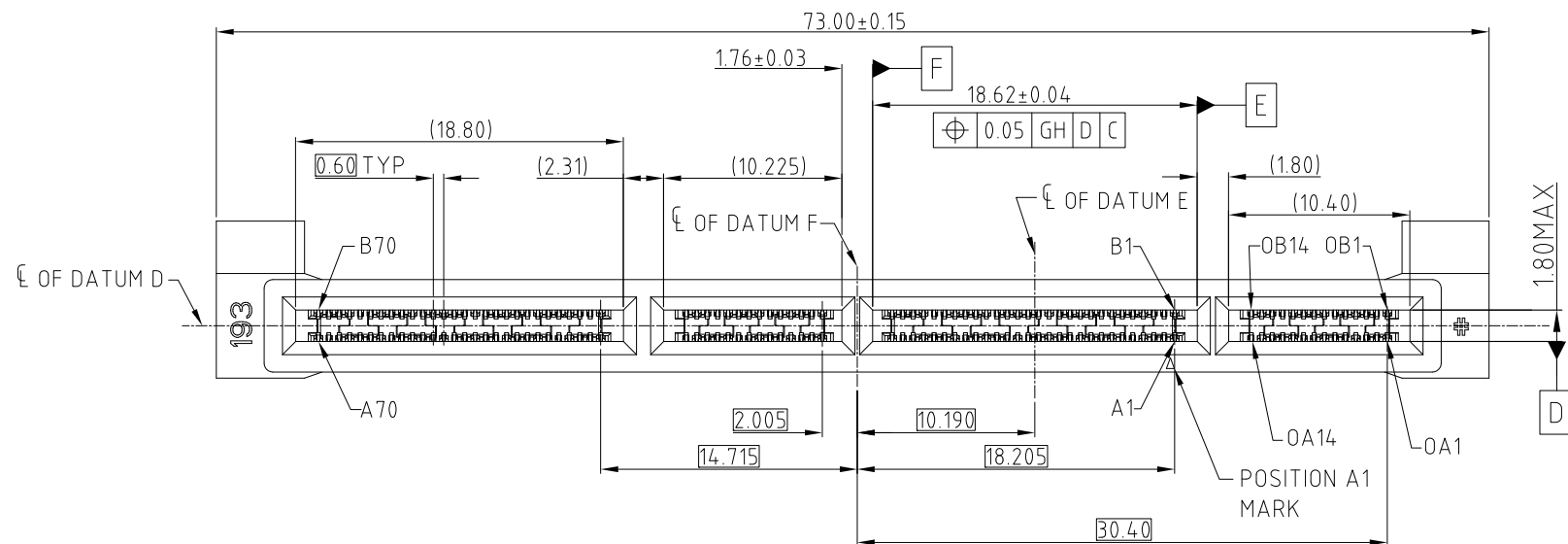
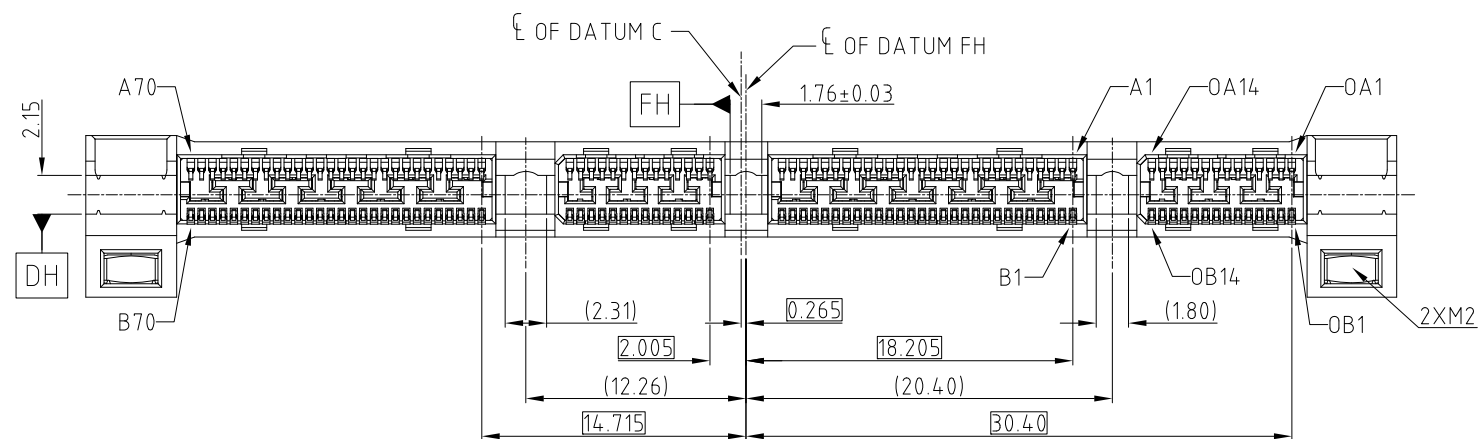
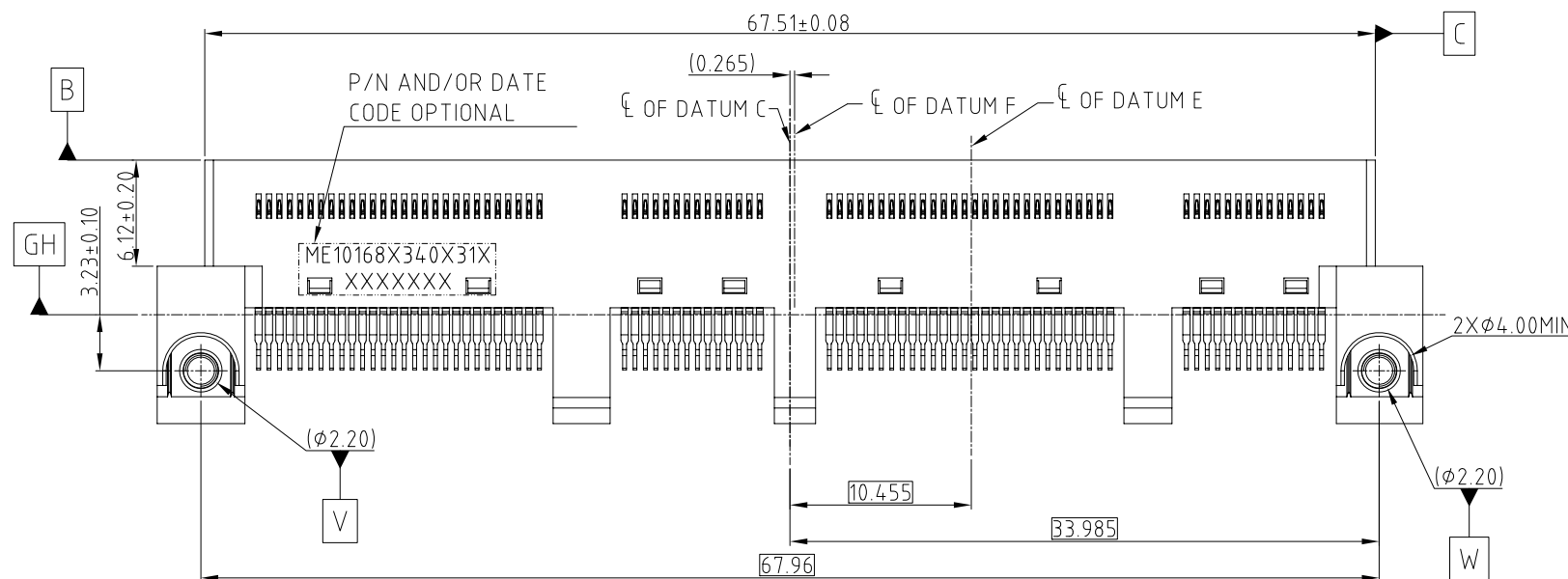


This document is the property of Amphenol Corporation and is delivered on the express condition that it is not to be disclosed, reproduced or used, in whole or in part, for manufacture or sale by anyone other than Amphenol Corporation without its prior consent, & that no right is granted to disclose or to use any information in this document.

REVISIONS				
SYM	ECN	DESCRIPTION	DATE	APPROVED
15	CD1856	STANDARDIZE THE WAFER CONSTRUCTURE	Sep.24,2019	YH
16	CD---	ADD PACKING SPEC OPTION	Jan.20,2020	YH
17	CD---	CHANGE THE TAPE PITCH FROM 32 TO 24	Mar.04,2020	YH
18	CD2190	ADD PACKING SPEC OPTION	May.18,2020	YH
19	CD2830	CHANGE THE MAX OR MIN DIMENSIONS TO ACTUAL DIMENSIONS	Aug.31,2021	YH
20	CD2837	ADD P/N OPTION FOR NEW PACKING	Sep.01,2021	YH
21	ELX-CD-XXXX-1	ADD LASER DATE CODE OPTION	Feb.22,2022	YH



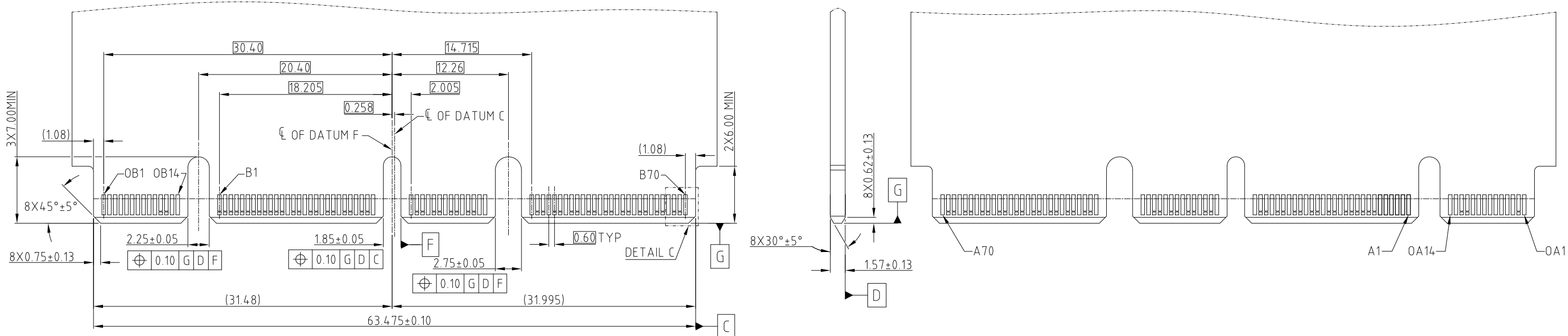
- NOTE:
- MATERIAL:
HOUSING: HIGH TEMPERATURE THERMOPLASTIC BLACK UL94-V0
CONTACT: COPPER ALLOY
NUT: STAINLESS STEEL
 - PLATING:
CONTACT: MATING AREA: Au THICKNESS PLEASE REFER TO PN SYSTEM,
1.27-2.54 μm NICKEL UNDERPLATED
SOLDER AREA: 1.27 μm MIN TIN OVER 1.27-2.54 μm NICKEL UNDERPLATED
 - ELECTRICAL PERFORMANCE:
RATED CURRENT: 1.1A/PIN UP TO 12PINS
LLCR: DELTA 15 mΩ.
INSULATION RESISTANCE: 1000MΩ MIN
 - DURABILITY: 200 CYCLES.
 - MATERIAL SHOULD BE FULFILLED AMPHENOL SPEC#S-SN-002 AND S-SN-004
 - ORDERING PART NUMBER REFER TO PART NUMBER LIST TABLE OF SHEET 3
 - LASER DATE CODE: YYMMDD+L AND PN



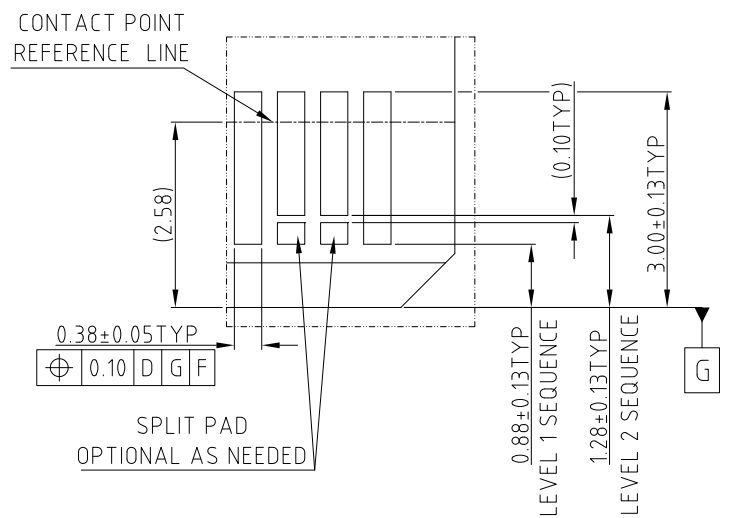
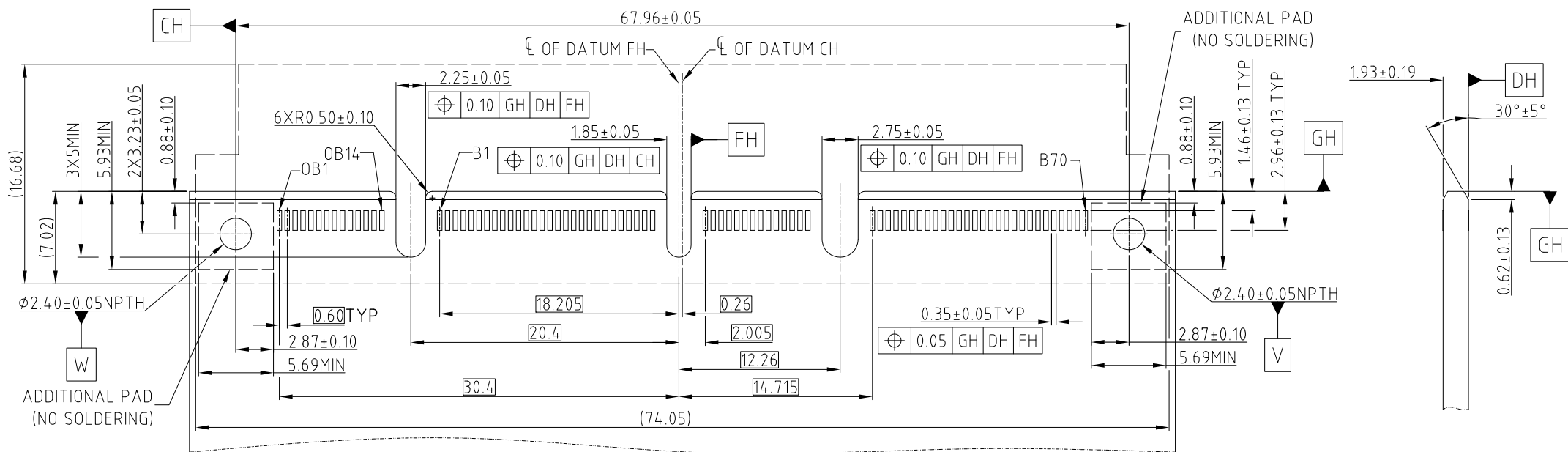
UNLESS OTHERWISE SPECIFIED TOLERANCES	U.S.	METRIC	APPROVAL	DATE	Amphenol
	.X +/-	0.25			
FRACTIONS +/-	.XX +/-	0.20	CHECKED	Yunx.Liu	Feb.22,2022
	.XXX +/-	0.15	APPROVED		
ANGLES +/-	5°		DRAWING FILE :		
			INTERNAL\ME\C ME10168X340X31X		
FOR MATERIALS AND FINISHES SEE NOTES	REMOVE SHARP EDGES		ANGLE OF PROJECTION		TITLE
	DIMENSIONS				MINI COOL EDGE CONNECTOR
—U.S.—	INCHES				168P S/M MATE 1.93 HOST PCB
(METRIC)	(mm)		SIZE	DRAWING NO.	REV.
			A3	C ME10168X340X31X	21
			SCALE	NONE	SHEET 1 OF 9

This document is the property of Amphenol Corporation and is delivered on the express condition that it is not to be disclosed, reproduced or used, in whole or in part, for manufacture or sale by anyone other than Amphenol Corporation without its prior consent, & that no right is granted to disclose or to use any information in this document.

REVISIONS				
SYM	ECN	DESCRIPTION	DATE	APPROVED
		SEE SHEET 1		



RECOMMENDED AIC MATING CARD



DETAIL C SCALE 4:1



NOTE: POSITION A1 ON THE OPPOSITE SIDE OF CARD OF B1 RECOMMENDED FOOTPRINT

UNLESS OTHERWISE SPECIFIED TOLERANCES	
U.S.	METRIC
.X +/-	0.25
.XX +/-	0.20
.XXX +/-	0.15
FRACTIONS +/-	
ANGLES +/-	5°
FOR MATERIALS AND FINISHES SEE NOTES	
REMOVE SHARP EDGES	
DIMENSIONS	
—U.S.—	INCHES
(METRIC)	(mm)

APPROVAL	DATE
DRAWN Ken.Xiang	Feb.22,2022
CHECKED Yunx.Liu	Feb.22,2022
APPROVED	
DRAWING FILE :	
INTERNAL\ME\C ME10168X340X31X	
ANGLE OF PROJECTION	

Amphenol		
TITLE		
MINI COOL EDGE CONNECTOR		
168P S/M MATE 1.93 HOST PCB		
SIZE	DRAWING NO.	REV.
A3	C ME10168X340X31X	21
SCALE	NONE	SHEET 2 OF 9

This document is the property of Amphenol Corporation and is delivered on the express condition that it is not to be disclosed, reproduced or used, in whole or in part, for manufacture or sale by anyone other than Amphenol Corporation without its prior consent, & that no right is granted to disclose or to use any information in this document.

REVISIONS				
SYM	ECN	DESCRIPTION	DATE	APPROVED
		SEE SHEET 1		

PART NUMBER LIST TABLE

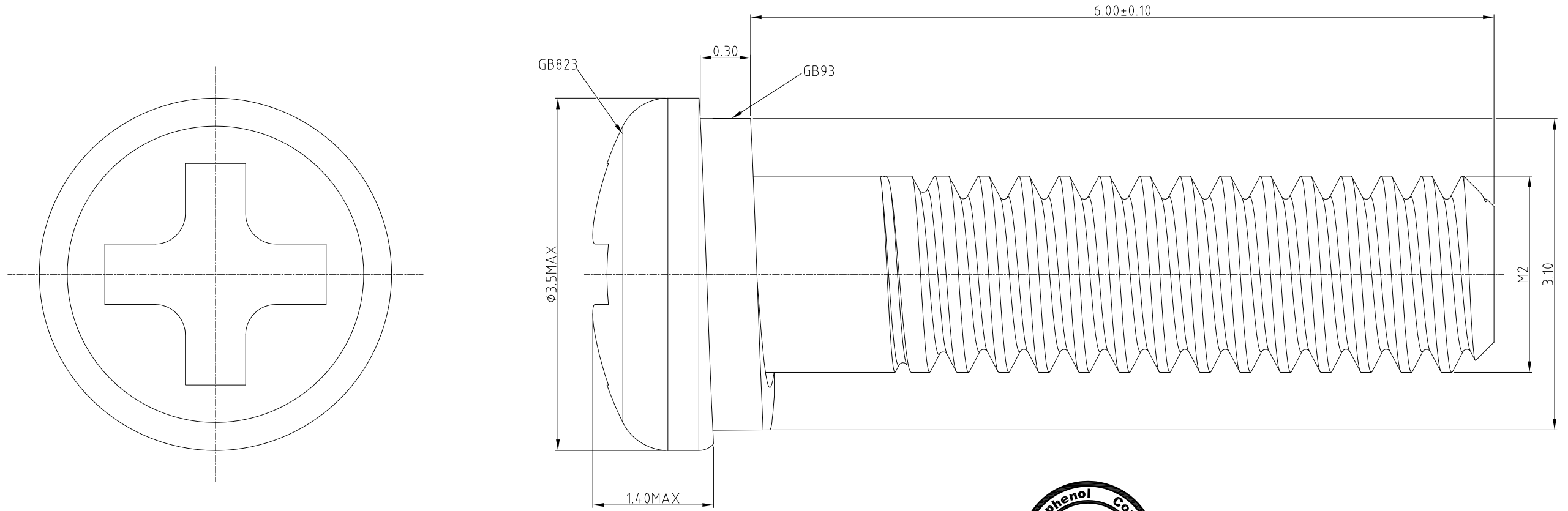
PART NUMBER	PLATING	PACKAGE QUANTITY	SCREW	PACKING MATERIAL PN	
ME1016813402315	0.38GXT	15/TRAY 300/CARTON	WITH SCREW	P567MCE003	
ME1016813402314	0.76 GXT				
ME1016813402313	GOLD FLASH				
ME1016813402312	0.38um Au				
ME1016813402311	0.76um Au				
ME1016813401315	0.38GXT	15/TRAY 300/CARTON	WITHOUT SCREW		
ME1016813401314	0.76 GXT				
ME1016813401313	GOLD FLASH				
ME1016813401312	0.38um Au				
ME1016813401311	0.76um Au				
ME1016843402315	0.38GXT	24/TRAY 624/CARTON	WITH SCREW	P567MCE012	
ME1016843402314	0.76 GXT				
ME1016843402313	GOLD FLASH				
ME1016843402312	0.38um Au				
ME1016843402311	0.76um Au				
ME1016843401315	0.38GXT	24/TRAY 624/CARTON	WITHOUT SCREW		
ME1016843401314	0.76 GXT				
ME1016843401313	GOLD FLASH				
ME1016843401312	0.38um Au				
ME1016843401311	0.76um Au				
ME1016813404315	0.38GXT	270/REEL 540/CARTON	WITH SCREW	TRC885012025	
ME1016813404314	0.76 GXT				
ME1016813404313	GOLD FLASH				
ME1016813404312	0.38um Au				
ME1016813404311	0.76um Au				
ME1016813405315	0.38GXT	270/REEL 540/CARTON	WITHOUT SCREW		
ME1016813405314	0.76 GXT				
ME1016813405313	GOLD FLASH				
ME1016813405312	0.38um Au				
ME1016813405311	0.76um Au				
ME1016813406315	0.38GXT	27/TRAY 486/CARTON	WITHOUT SCREW WITH CAP	P567MCE016	
ME1016813406314	0.76 GXT				
ME1016813406313	GOLD FLASH				
ME1016813406312	0.38um Au				
ME1016813406311	0.76um Au				
ME1016863402315	0.38GXT	24/TRAY 384/CARTON	WITH SCREW		P567MCE047
ME1016863402314	0.76 GXT				
ME1016863402313	GOLD FLASH				
ME1016863402312	0.38um Au				
ME1016863402311	0.76um Au				
ME1016863401315	0.38GXT	24/TRAY 384/CARTON	WITHOUT SCREW		
ME1016863401314	0.76 GXT				
ME1016863401313	GOLD FLASH				
ME1016863401312	0.38um Au				
ME1016863401311	0.76um Au				



UNLESS OTHERWISE SPECIFIED TOLERANCES		APPROVAL	DATE	Amphenol		
	U.S. METRIC	DRAWN	Ken.Xiang			Feb.22,2022
.X +/-	0.25	CHECKED	Yunx.Liu			Feb.22,2022
.XX +/-	0.20	APPROVED			TITLE MINI COOL EDGE CONNECTOR 168P S/M MATE 1.93 HOST PCB	
.XXX +/-	0.15	DRAWING FILE : INTERNAL\ME\C ME10168X340X31X		SIZE		DRAWING NO.
FRACTIONS +/-		ANGLE OF PROJECTION		A3	C ME10168X340X31X	
ANGLES +/-	5°			REV.	21	
FOR MATERIALS AND FINISHES SEE NOTES				SCALE	NONE	
REMOVE SHARP EDGES				SHEET 3 OF 9		
DIMENSIONS						
—U.S.—	INCHES					
(METRIC)	(mm)					

This document is the property of Amphenol Corporation and is delivered on the express condition that it is not to be disclosed, reproduced or used, in whole or in part, for manufacture or sale by anyone other than Amphenol Corporation without its prior consent, & that no right is granted to disclose or to use any information in this document.

REVISIONS				
SYM	ECN	DESCRIPTION	DATE	APPROVED
		SEE SHEET 1		



SCREW



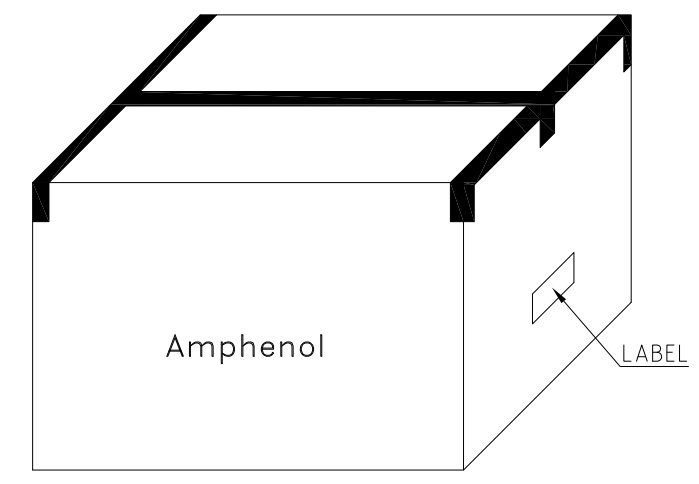
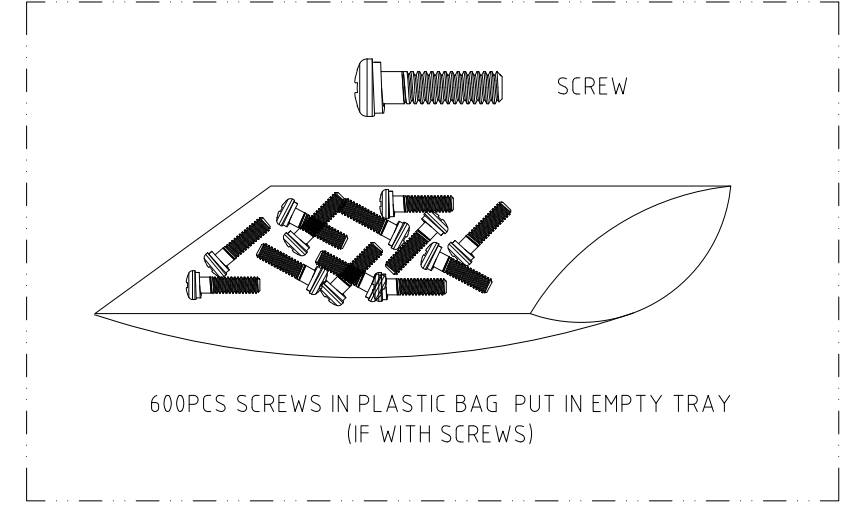
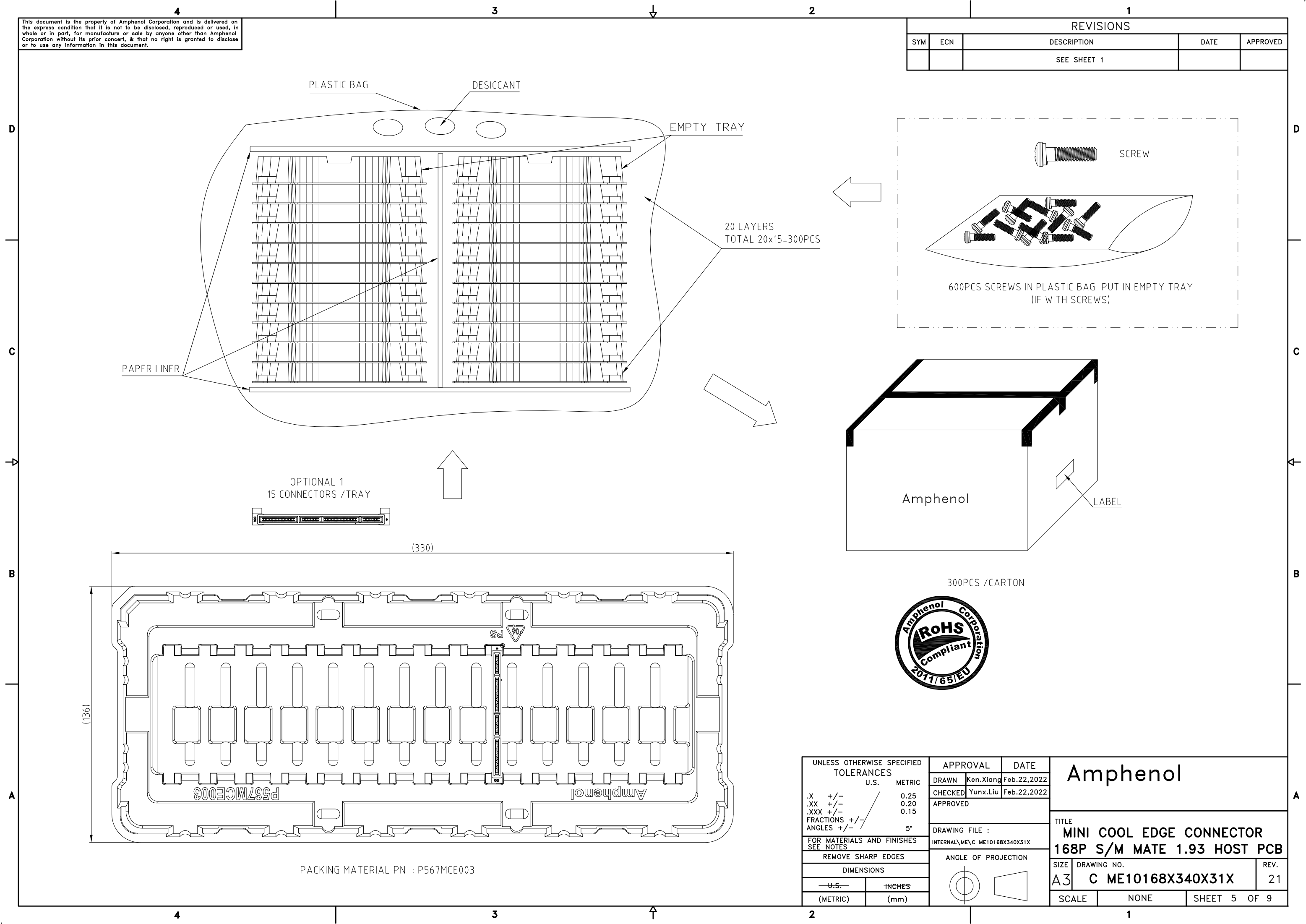
NOTE:

1. MATERIAL: SUS304
2. DIMENSIONS CONFORM TO GB823, GB93,
3. THE TORQUE 0.17N.M MAX

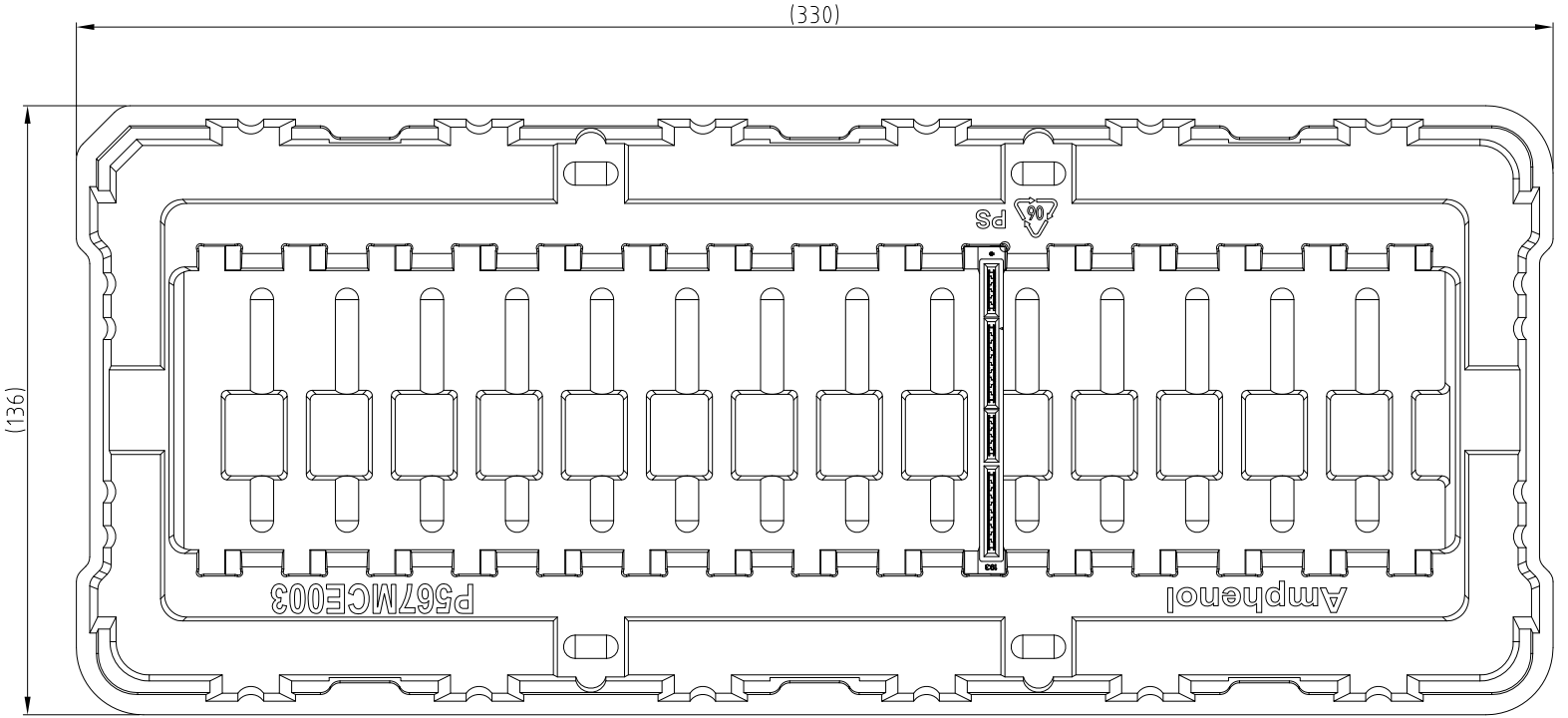
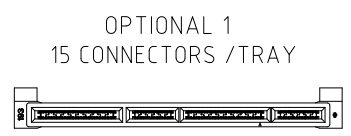
UNLESS OTHERWISE SPECIFIED TOLERANCES U.S. METRIC .X +/- 0.25 .XX +/- 0.20 .XXX +/- 0.15 FRACTIONS +/- ANGLES +/- 5° FOR MATERIALS AND FINISHES SEE NOTES REMOVE SHARP EDGES DIMENSIONS —U.S.— INCHES (METRIC) (mm)	APPROVAL	DATE	Amphenol TITLE MINI COOL EDGE CONNECTOR 168P S/M MATE 1.93 HOST PCB SIZE DRAWING NO. REV. A3 C ME10168X340X31X 21 SCALE NONE SHEET 4 OF 9
	DRAWN	Ken.Xiang Feb.22,2022	
	CHECKED	Yunx.Liu Feb.22,2022	
	APPROVED		
	DRAWING FILE :		
	INTERNAL\ME\C ME10168X340X31X		
	ANGLE OF PROJECTION		

This document is the property of Amphenol Corporation and is delivered on the express condition that it is not to be disclosed, reproduced or used, in whole or in part, for manufacture or sale by anyone other than Amphenol Corporation without its prior consent, & that no right is granted to disclose or to use any information in this document.

REVISIONS				
SYM	ECN	DESCRIPTION	DATE	APPROVED
		SEE SHEET 1		



300PCS / CARTON



PACKING MATERIAL PN : P567MCE003

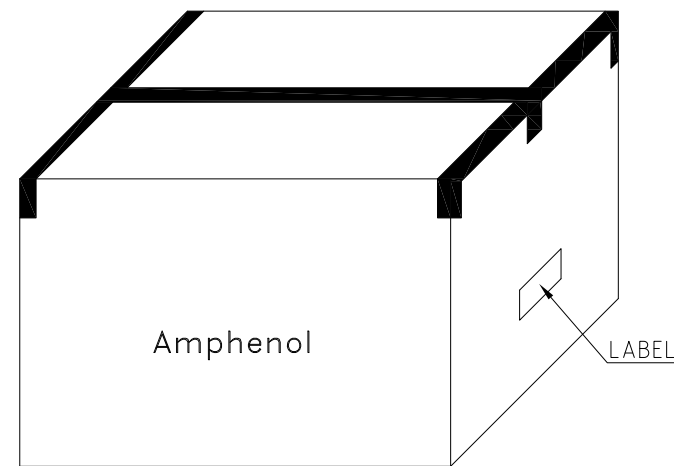
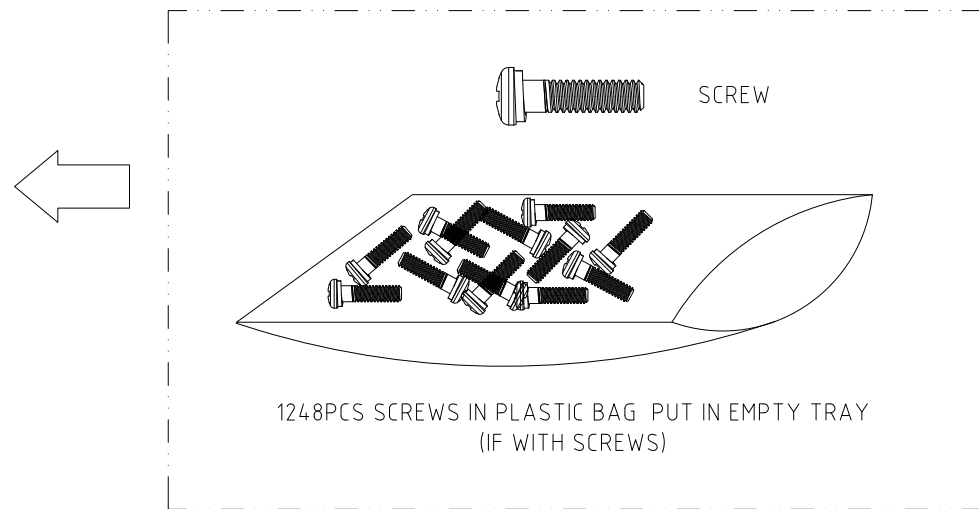
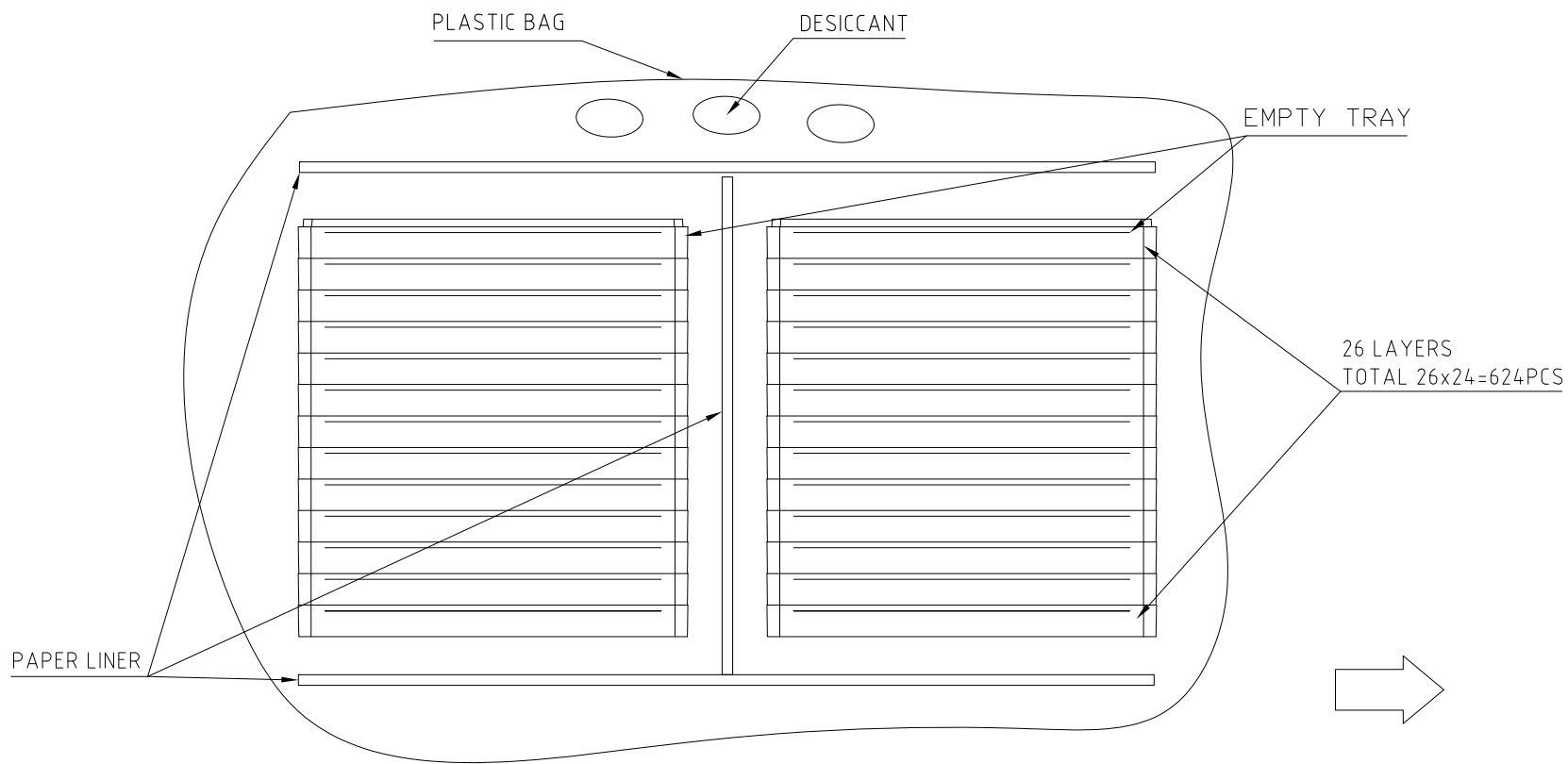
UNLESS OTHERWISE SPECIFIED TOLERANCES	
U.S.	METRIC
.X +/-	0.25
.XX +/-	0.20
.XXX +/-	0.15
FRACTIONS +/-	
ANGLES +/-	5°

APPROVAL	DATE
DRAWN Ken.Xiang	Feb.22,2022
CHECKED Yunx.Liu	Feb.22,2022
APPROVED	
DRAWING FILE : INTERNAL\ME\C ME10168X340X31X	
ANGLE OF PROJECTION	

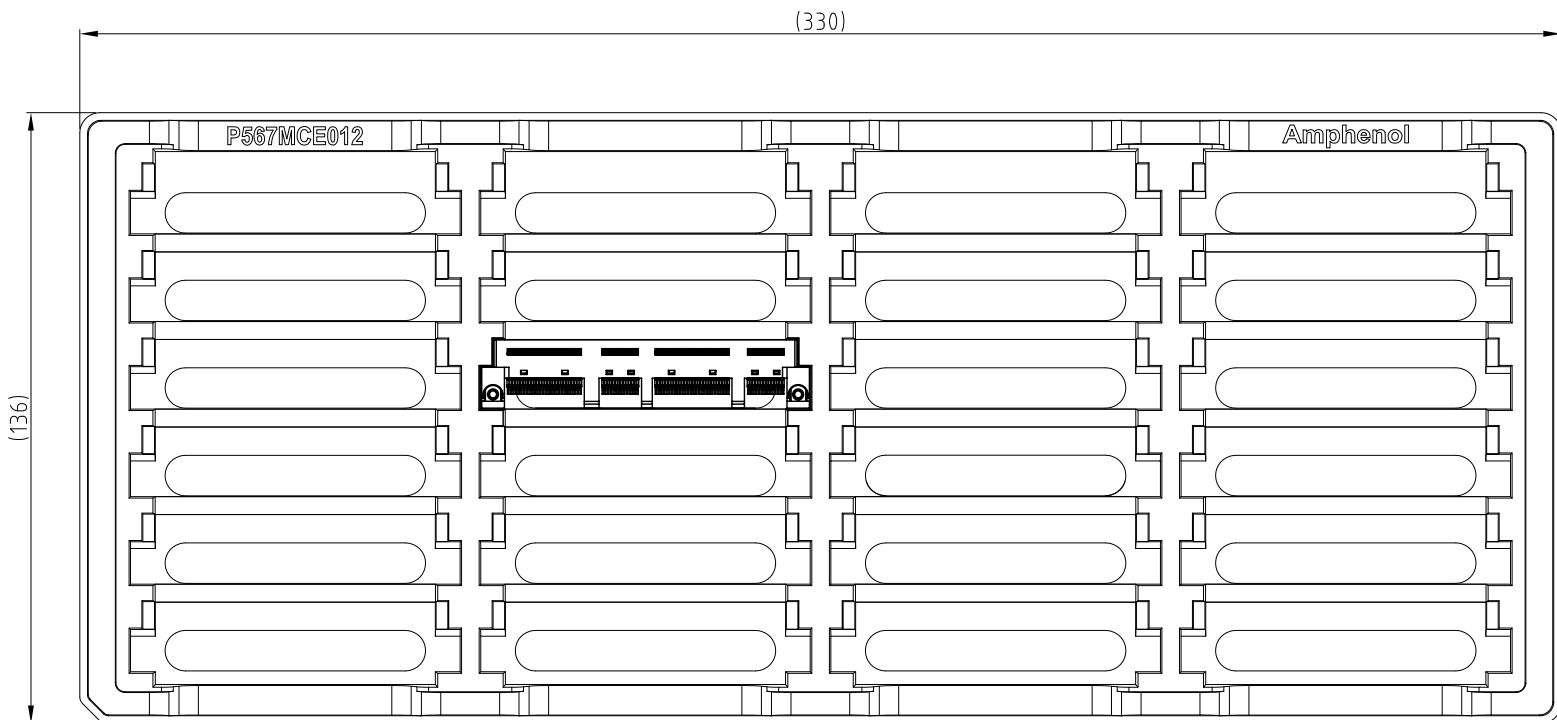
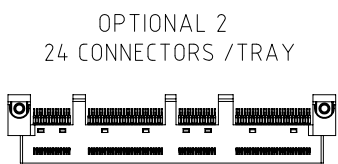
Amphenol		
TITLE MINI COOL EDGE CONNECTOR 168P S/M MATE 1.93 HOST PCB		
SIZE A3	DRAWING NO. C ME10168X340X31X	REV. 21
SCALE NONE	SHEET 5 OF 9	

This document is the property of Amphenol Corporation and is delivered on the express condition that it is not to be disclosed, reproduced or used, in whole or in part, for manufacture or sale by anyone other than Amphenol Corporation without its prior consent, & that no right is granted to disclose or to use any information in this document.

REVISIONS				
SYM	ECN	DESCRIPTION	DATE	APPROVED
		SEE SHEET 1		



624PCS / CARTON



PACKING MATERIAL PN : P567MCE012

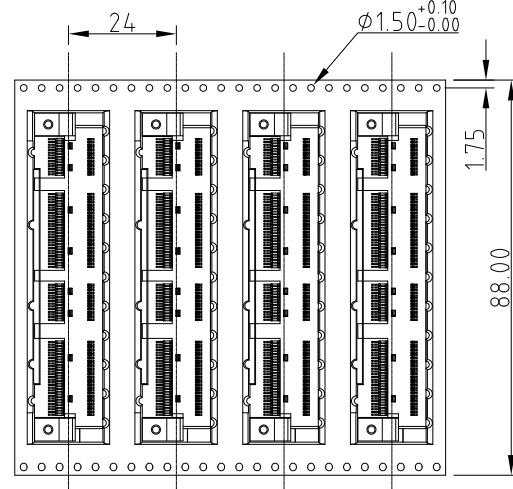
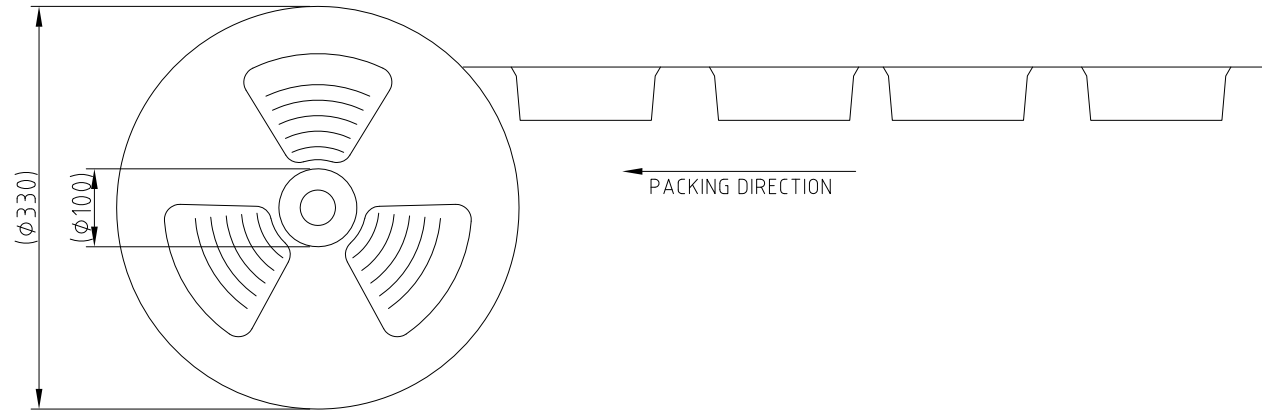
UNLESS OTHERWISE SPECIFIED TOLERANCES	
U.S.	METRIC
.X +/-	0.25
.XX +/-	0.20
.XXX +/-	0.15
FRACTIONS +/-	
ANGLES +/-	5°
FOR MATERIALS AND FINISHES SEE NOTES	
REMOVE SHARP EDGES	
DIMENSIONS	
—U.S.—	INCHES
(METRIC)	(mm)

APPROVAL	DATE
DRAWN Ken.Xiang	Feb.22,2022
CHECKED Yunx.Liu	Feb.22,2022
APPROVED	
DRAWING FILE :	
INTERNAL\ME\C ME10168X340X31X	
ANGLE OF PROJECTION	

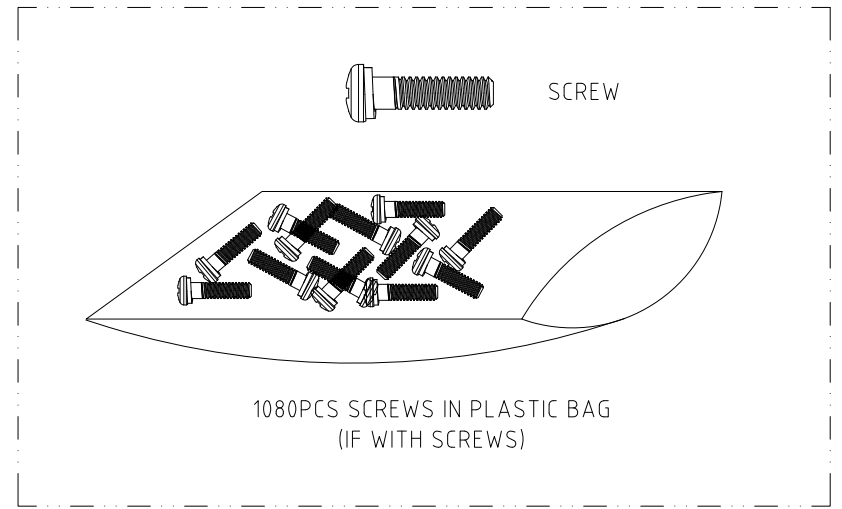
Amphenol		
TITLE		
MINI COOL EDGE CONNECTOR		
168P S/M MATE 1.93 HOST PCB		
SIZE	DRAWING NO.	REV.
A3	C ME10168X340X31X	21
SCALE	NONE	SHEET 6 OF 9

This document is the property of Amphenol Corporation and is delivered on the express condition that it is not to be disclosed, reproduced or used, in whole or in part, for manufacture or sale by anyone other than Amphenol Corporation without its prior consent, & that no right is granted to disclose or to use any information in this document.

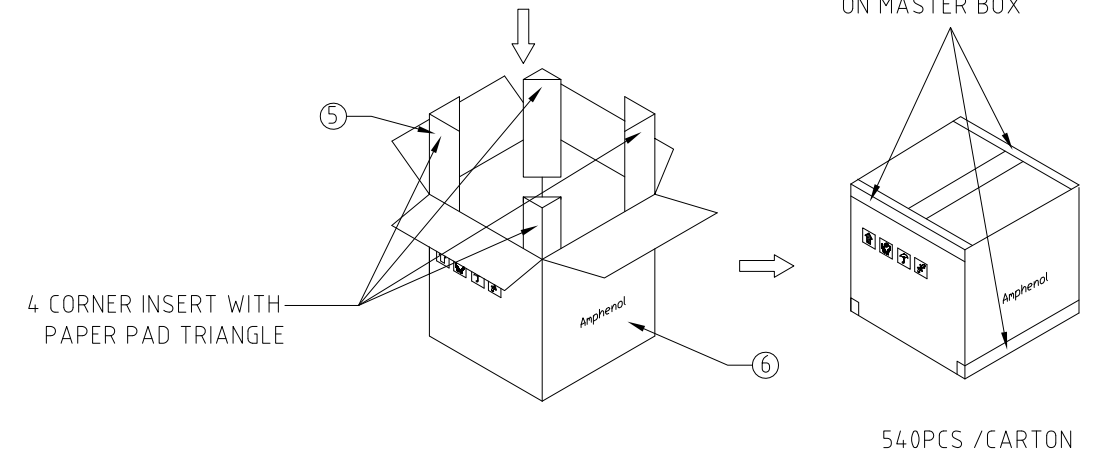
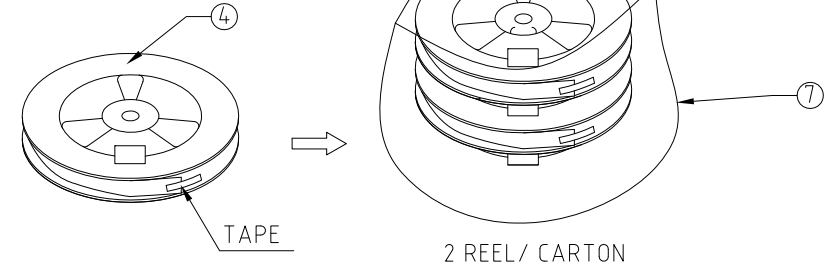
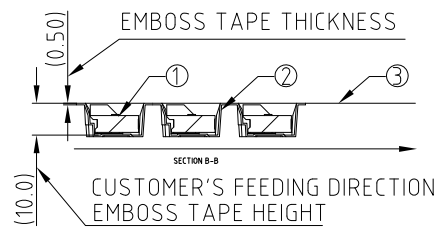
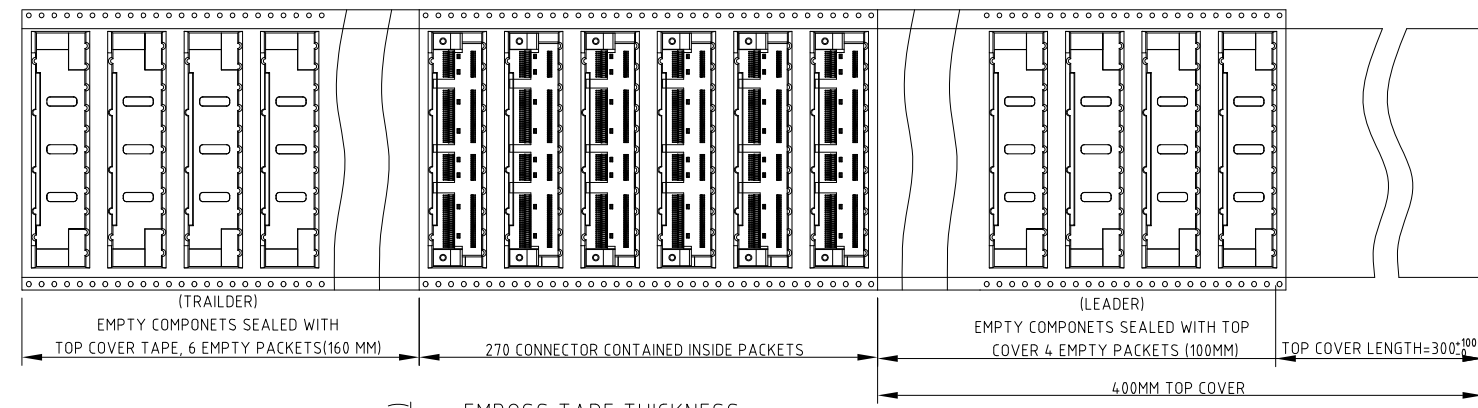
REVISIONS				
SYM	ECN	DESCRIPTION	DATE	APPROVED
		SEE SHEET 1		



SEE DETAIL A
PACKING MATERIAL PN : TRC885012025



CUSTOMER'S FEEDING DIRECTION



THIS PAGE FOR REFERENCE ONLY

7	PLASTIC BAG	
6	PAPER PAD TRIANGLE	CORRUGATED FIBERBOARD
5	MASTER BOX	CORRUGATED FIBERBOARD
4	PP REEL	PP
3	TOP COVER TAPE	PET
2	EMBOSS TAPE	POLYSTYRENE
1	CONNECTOR	



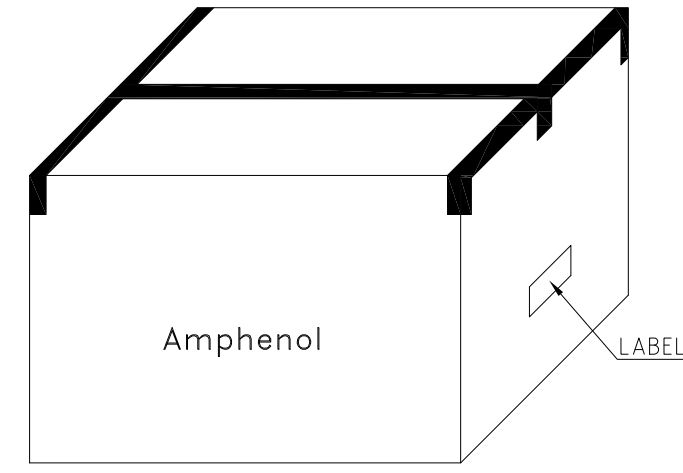
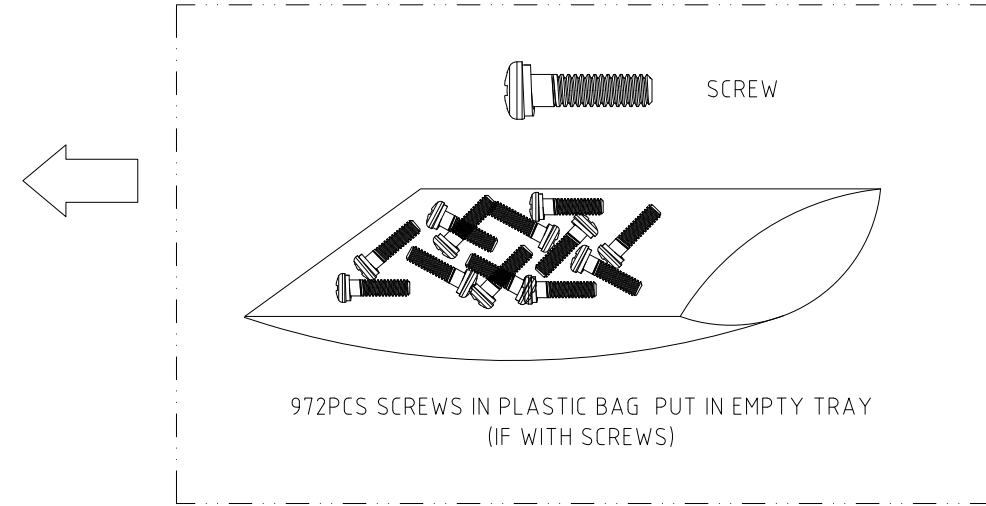
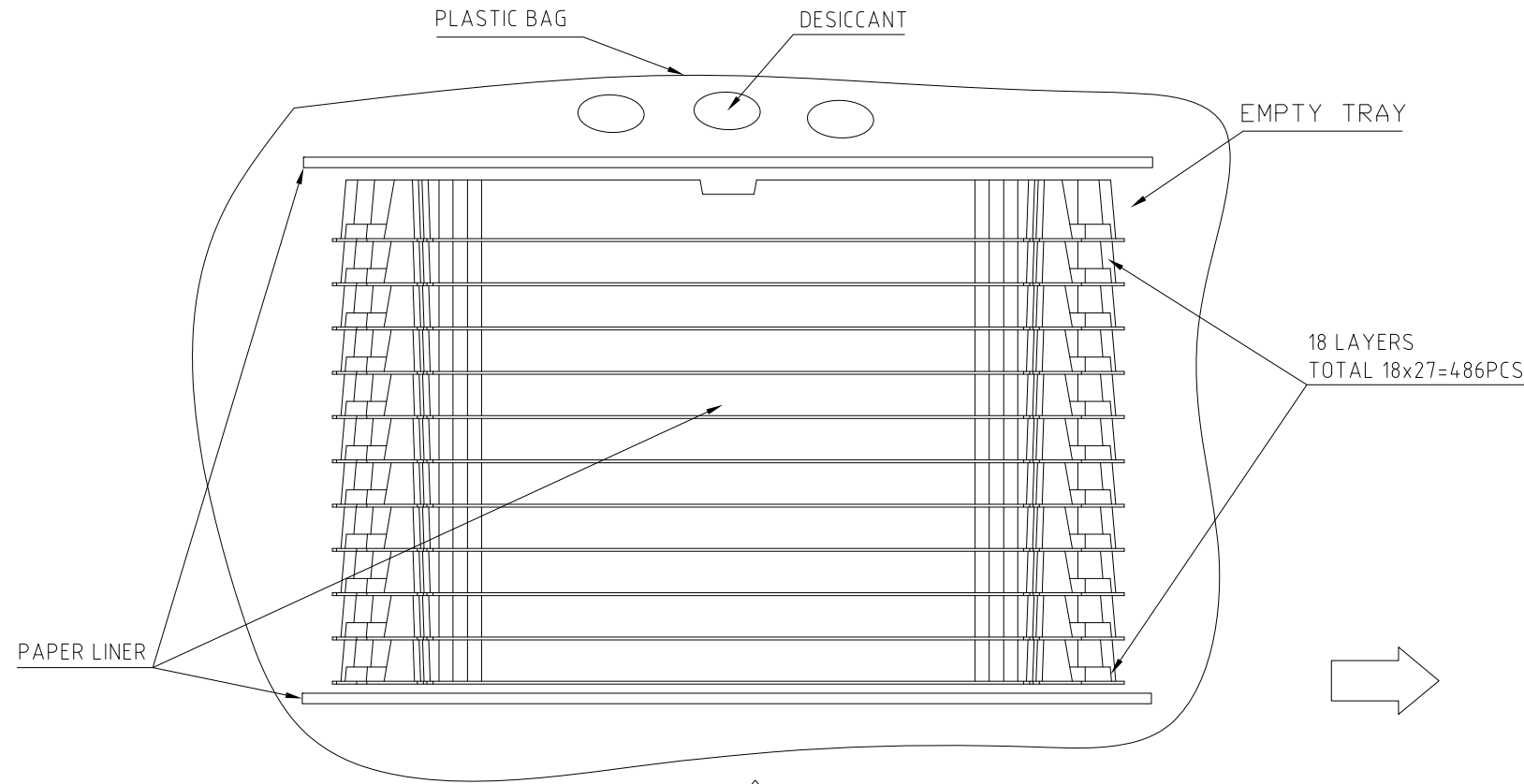
UNLESS OTHERWISE SPECIFIED TOLERANCES	
U.S.	METRIC
.X +/-	0.25
.XX +/-	0.20
.XXX +/-	0.15
FRACTIONS +/-	5°
ANGLES +/-	

APPROVAL		DATE
DRAWN	Ken.Xiang	Feb.22,2022
CHECKED	Yunx.Liu	Feb.22,2022
APPROVED		
DRAWING FILE :		
INTERNAL\ME\C ME10168X340X31X		
REMOVE SHARP EDGES		
ANGLE OF PROJECTION		
DIMENSIONS		
—U.S.—	INCHES	
(METRIC)	(mm)	

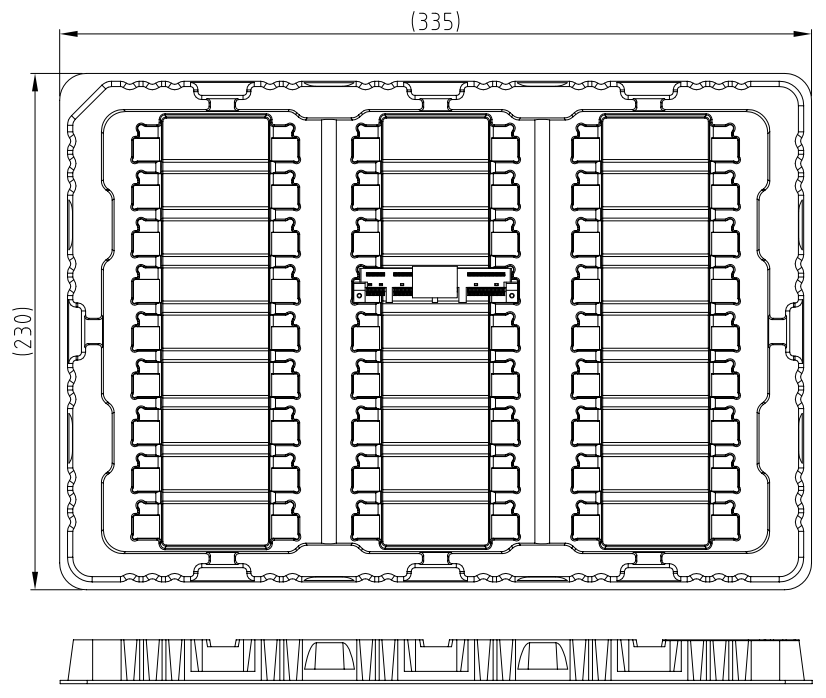
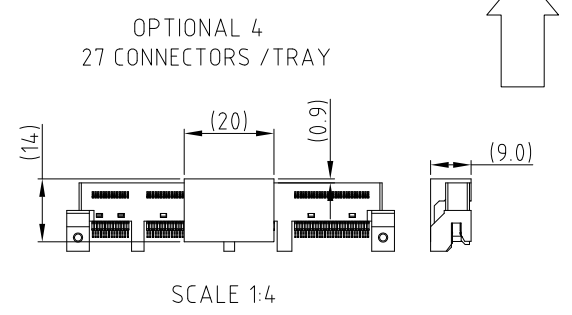
Amphenol		
TITLE		
MINI COOL EDGE CONNECTOR		
168P S/M MATE 1.93 HOST PCB		
SIZE	DRAWING NO.	REV.
A3	C ME10168X340X31X	21
SCALE	NONE	SHEET 7 OF 9

This document is the property of Amphenol Corporation and is delivered on the express condition that it is not to be disclosed, reproduced or used, in whole or in part, for manufacture or sale by anyone other than Amphenol Corporation without its prior consent, & that no right is granted to disclose or to use any information in this document.

REVISIONS				
SYM	ECN	DESCRIPTION	DATE	APPROVED
		SEE SHEET 1		



486PCS / CARTON

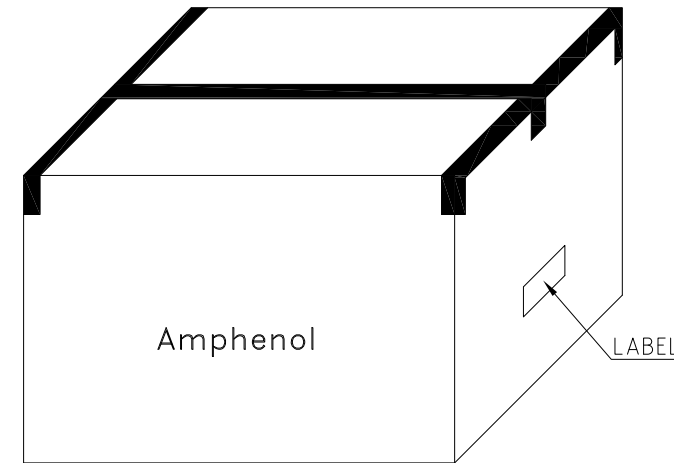
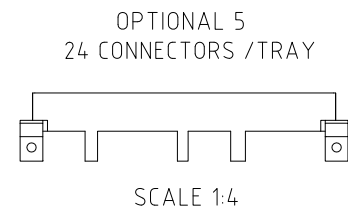
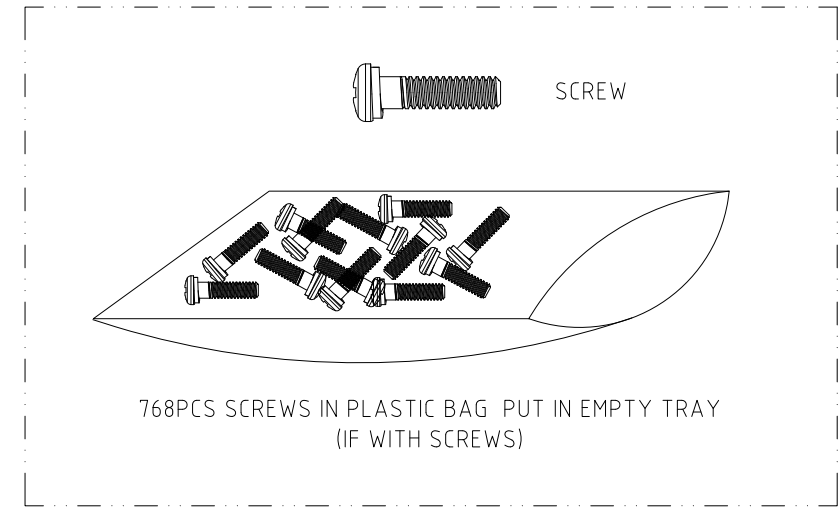
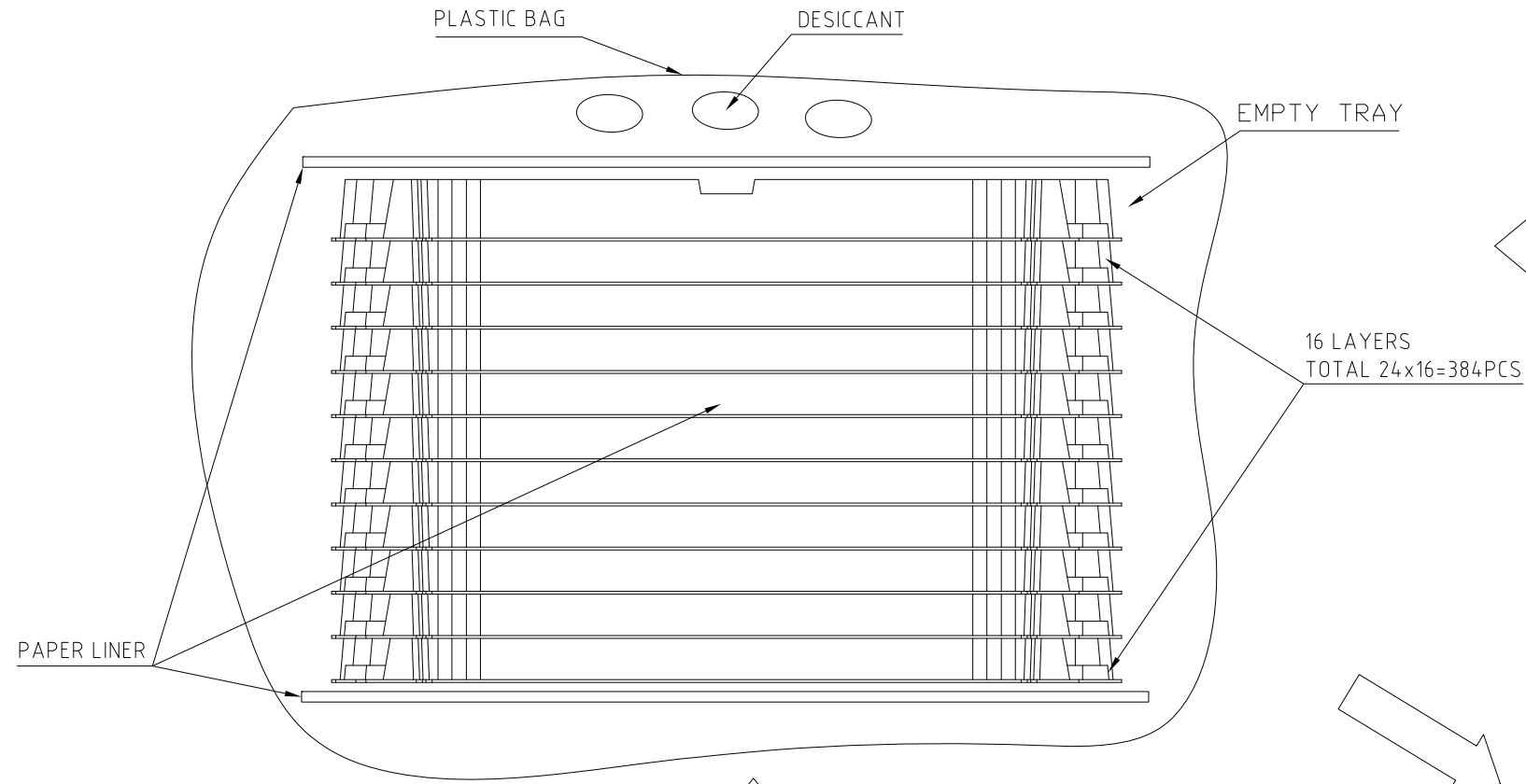


PACKING MATERIAL PN : P567MCE016

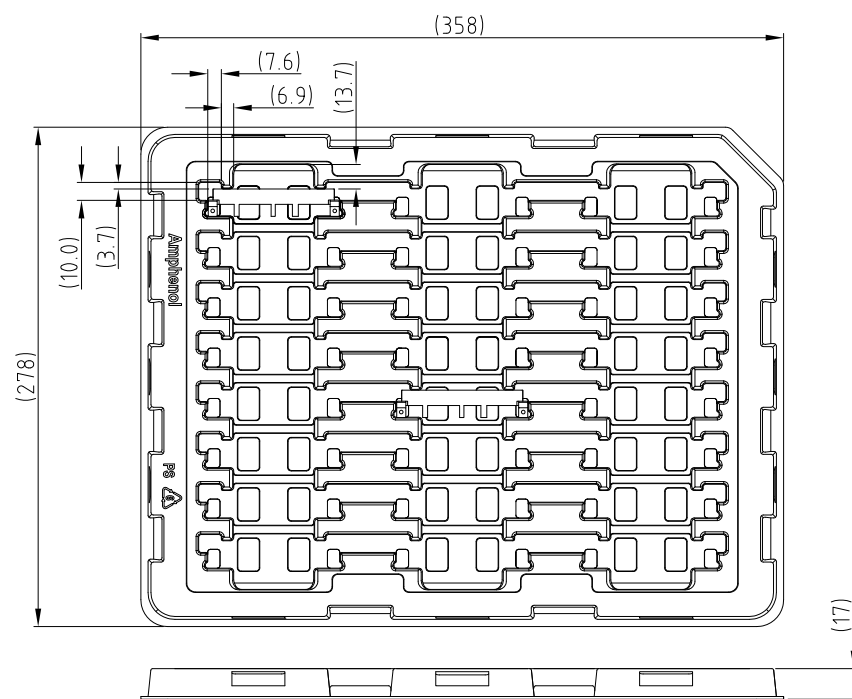
UNLESS OTHERWISE SPECIFIED TOLERANCES		APPROVAL	DATE	Amphenol		
	U.S. METRIC	DRAWN	Ken.Xiang			Feb.18,2021
.X	+/- 0.25	CHECKED	Yunx.Liu			Feb.18,2021
.XX	+/- 0.20	APPROVED			TITLE	
.XXX	+/- 0.15				MINI COOL EDGE CONNECTOR	
FRACTIONS	+/- 5°				168P S/M MATE 1.93 HOST PCB	
ANGLES	+/-				SIZE	
FOR MATERIALS AND FINISHES SEE NOTES					DRAWING NO.	
REMOVE SHARP EDGES					A3 C ME10168X340X31X	
DIMENSIONS					REV.	
—U.S.—	INCHES				21	
(METRIC)	(mm)				SCALE	
					NONE	
					SHEET 8 OF 9	

This document is the property of Amphenol Corporation and is delivered on the express condition that it is not to be disclosed, reproduced or used, in whole or in part, for manufacture or sale by anyone other than Amphenol Corporation without its prior consent, & that no right is granted to disclose or to use any information in this document.

REVISIONS				
SYM	ECN	DESCRIPTION	DATE	APPROVED
		SEE SHEET 1		



384PCS / CARTON



PACKING MATERIAL PN : P567MCE047

UNLESS OTHERWISE SPECIFIED TOLERANCES		APPROVAL	DATE	Amphenol		
	U.S. METRIC	DRAWN	Ken.Xiang			Feb.18,2021
.X	+/- 0.25	CHECKED	Yunx.Liu			Feb.18,2021
.XX	+/- 0.20	APPROVED			TITLE	
.XXX	+/- 0.15				MINI COOL EDGE CONNECTOR	
FRACTIONS	+/- 5°	DRAWING FILE :	INTERNAL\ME\C ME10168X340X31X			
ANGLES		REMOVE SHARP EDGES	ANGLE OF PROJECTION			
FOR MATERIALS AND FINISHES SEE NOTES		DIMENSIONS		SCALE		
		—U.S.— INCHES		NONE		
		(METRIC) (mm)		SHEET 9 OF 9		
		DRAWING NO.		REV.		
		A3 C ME10168X340X31X		21		