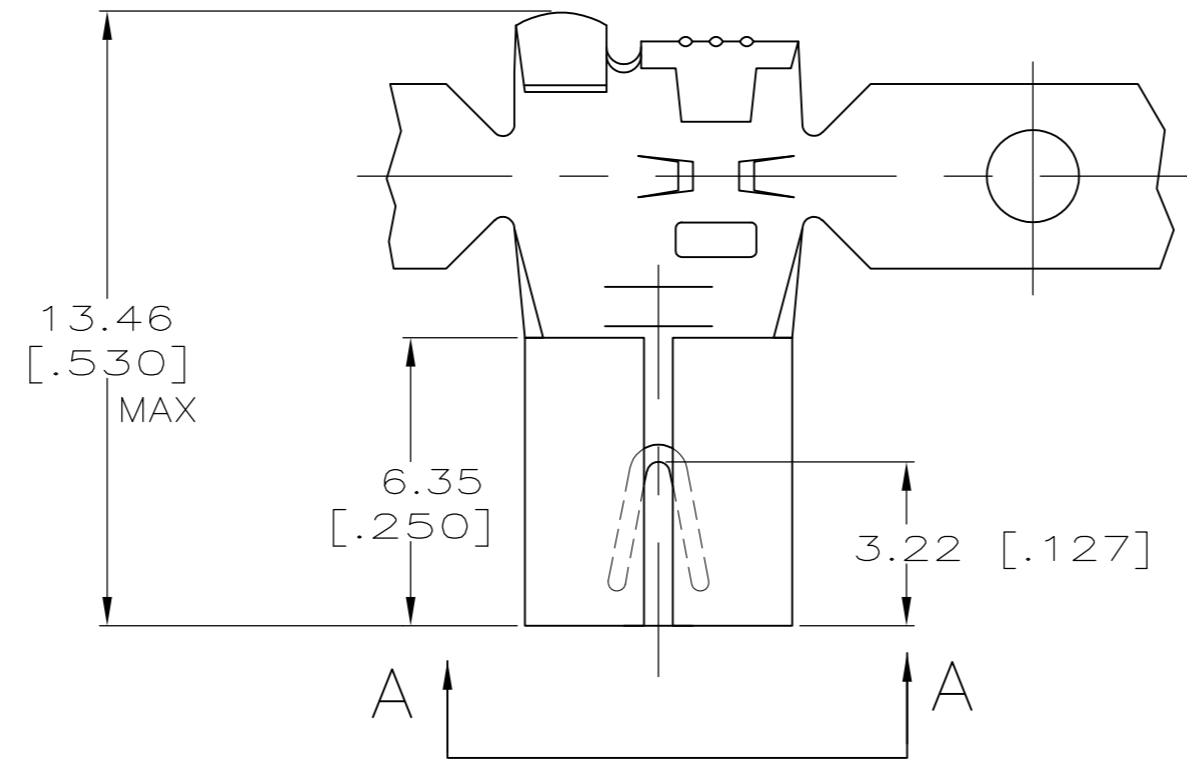
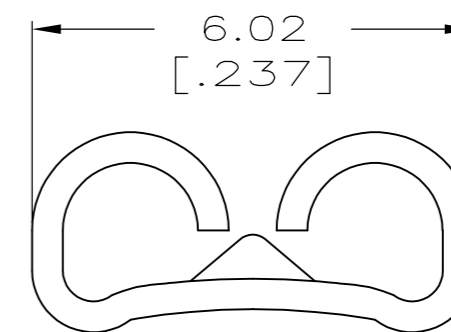
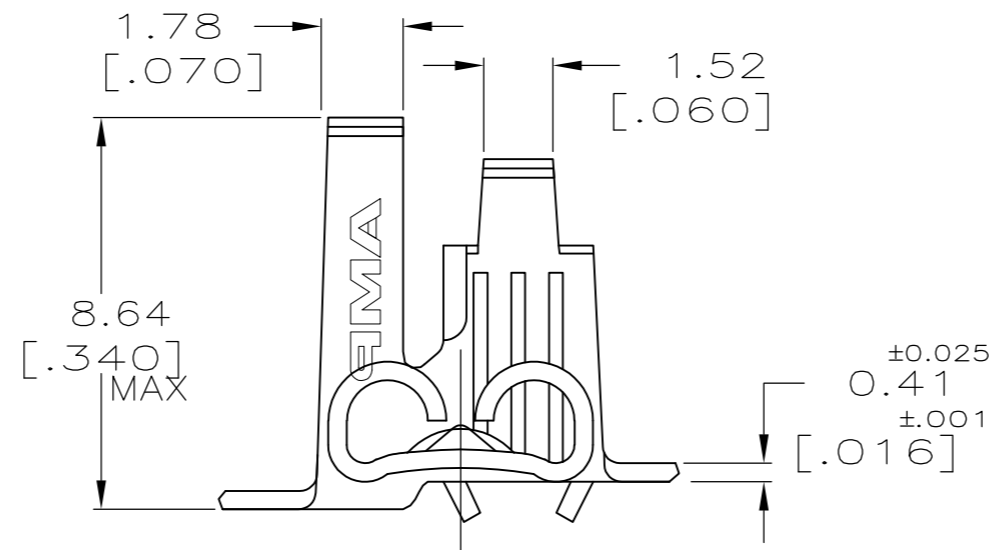


THIS DRAWING IS UNPUBLISHED. RELEASED FOR PUBLICATION  
 © COPYRIGHT - By - ALL RIGHTS RESERVED.

LOC	DIST	REVISIONS			
P	LTR	DESCRIPTION	DATE	DWN	APVD
AF	50	F	REVISED PER ECR-12-013518	23NOV2012	KH PD



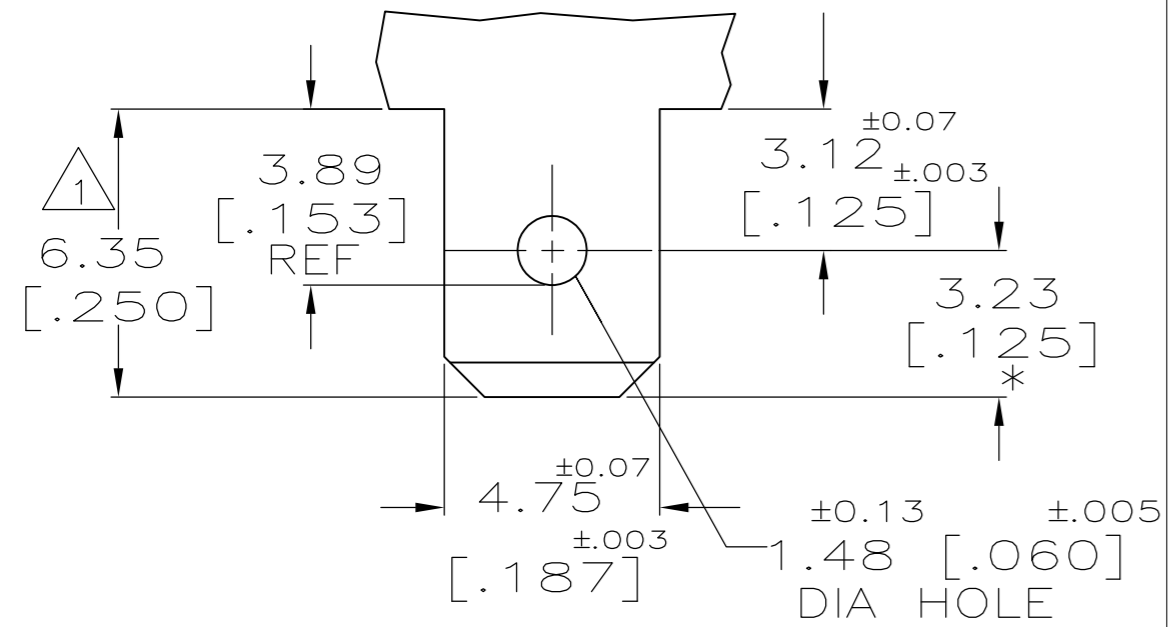
1 CONTINUOUS STRIP ON REELS



VIEW A-A  
SCALE 10:1

RECOMMENDED MATING TAB

MATL: 1/2 H BRASS OR NICKEL PL STL



\* TO BE USED ONLY WHEN SHOULDER IS ELIMINATED  
 1 MUST BE FLAT WITHIN 0.076 [.003] OVER THIS LENGTH.

2.79-4.32 [.110-.170] DIA	0.5-2.0mm <sup>2</sup> [20-14] AWG	0.813 [.032]	63635-1
INSULATION RANGE	WIRE SIZE	MATING TAB THK±0.025 [.001]	WIRE SIZE

THIS DRAWING IS A CONTROLLED DOCUMENT.		DWN	JR RUTH	1/21/92		TE Connectivity	
DIMENSIONS: mm [INCHES]		CHK	MS FEHER	1/21/92		NAME	
TOLERANCES UNLESS OTHERWISE SPECIFIED:		APVD	D REINER	1/21/92		RECEPTACLE, FASTON, FLAG, LOCK-ON, 4.75 [.187] SERIES	
0 PLC ± - 1 PLC ± - 2 PLC ± 0.25 [.010] 3 PLC ± - 4 PLC ± - ANGLES ± 1°		PRODUCT SPEC	-			SIZE	
MATERIAL	BRASS	FINISH	TIN	WEIGHT	-	CAGE CODE	A2 00779
CUSTOMER DRAWING				SCALE	6:1	SHEET	1 of 1
				REV	F		