



soberton inc.

EXCITER

Acoustic Product Specification

Product Number: E-2708



Release | Revision: A/2018

**CONTENTS**

This document contains the technical specifications for the exciter

**Page 1**

Specifications

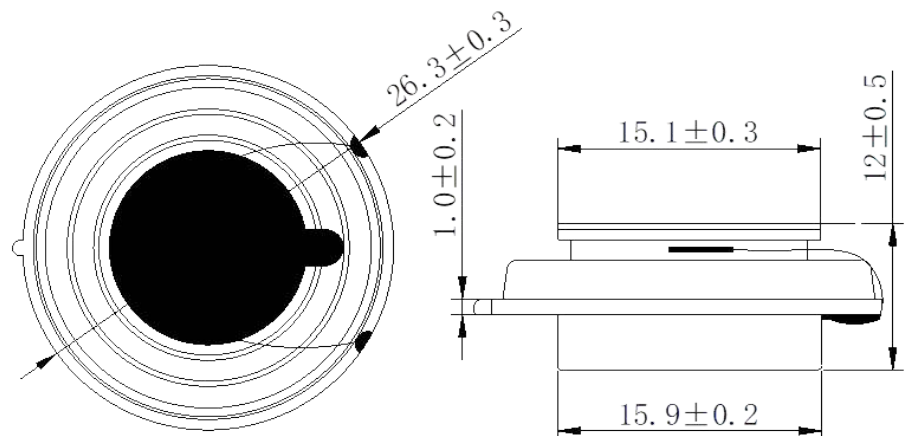
Dimensions

Frequency Response

**Specifications**

Specification	Unit	E-2708
AC Impedance	$\Omega$	8±15% at 1000Hz
Rated Input Power	Watt	1.0
Max Input Power	Watt	2.0
Resonant Frequency	Hz	350±20%
Frequency Range	Hz	F0~6.5KHz, average SPL±10dB
Output Sound Pressure Level	dB	90 ±3dB 1.0 Watt/10 cm, AVG. at 0.8, 1.0, 1.2, 1.5KHz
Operating Temperature	°C	-20°C ~ +50°C
Storage Temperature	°C	-40°C ~ +60°C
Dimension	mm	∅ 26.3 x H12.0
Distortion		3% maximum at 1000Hz, 1.0W
Polarity		Diaphragm shall move forward when a positive DC current is applied to the "+" or "Marked" terminal
Load Test		Audio Signal Generator at 2.83 Volt Total 48hrs and 20Hz ~ 20KHz resonant frequency
Abnormal Sound Test		Must be normal tested at 2.83 Volt sine wave

**Dimensions**



Unit: mm

**Frequency Response**

