



## 8-Channel, 10-Bit, 40MSPS, 1.8V CMOS ANALOG-TO-DIGITAL CONVERTER

### FEATURES

- 8 DIFFERENTIAL ANALOG INPUTS
- 1V<sub>PP</sub> DIFFERENTIAL INPUT RANGE
- INT/EXT VOLTAGE REFERENCE
- ANALOG/DIGITAL SUPPLY 1.8V
- DIGITAL I/O SUPPLY 1.8V/3.3V
- INTEGRAL NONLINEARITY:  $\pm 0.8$ LSB
- SIGNAL-TO-NOISE: 58dB at  $f_{IN} = 20$ MHz
- SPURIOUS-FREE DYNAMIC RANGE: 72dB at  $f_{IN} = 20$ MHz
- 794mW POWER DISSIPATION
- INDIVIDUAL CHANNEL POWER-DOWN
- 257-LEAD, 0.8 BALL PITCH, PLASTIC MicroSTAR BGA™ (16 • 16mm)

### APPLICATIONS

- PORTABLE ULTRASOUND
- PORTABLE INSTRUMENTATION

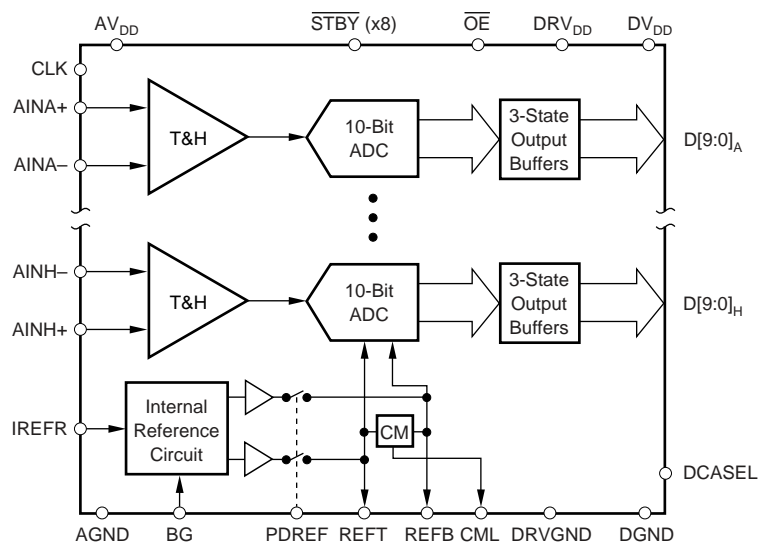
### DESCRIPTION

The ADS5120 is a low-power, 8-channel, 10-bit, 40MSPS CMOS Analog-to-Digital Converter (ADC) that operates from a single 1.8V supply, while offering 1.8V and 3.3V digital I/O flexibility. A single-ended input clock is used for simultaneous sampling of up to eight analog differential input channels. The flexible duty cycle adjust circuit (DCASEL) allows the use of a non-50% clock duty cycle. Individual standby pins allow users the ability to power-down any number of ADCs. A sample-and-hold stage is added in front of the ADC and a digital error correction circuit is used to generate the final digital code.

The internal reference can be bypassed to use an external reference to suit the accuracy and temperature drift requirements of the application. A 10-bit parallel bus on eight channels is provided with 3-state outputs.

The speed, resolution, and low-power of the ADS5120 makes it ideal for applications requiring high-density signal processing in low-power environments.

The ADS5120 is characterized for operation from 0°C to 70°C.



Please be aware that an important notice concerning availability, standard warranty, and use in critical applications of Texas Instruments semiconductor products and disclaimers thereto appears at the end of this data sheet.

MicroSTAR BGA is a trademark of Texas Instruments. All other trademarks are the property of their respective owners.

## ABSOLUTE MAXIMUM RATINGS<sup>(1)</sup>

Supply Voltage: AV <sub>DD</sub> to AGND, DV <sub>DD</sub> to DGND .....	-0.3V to +2.2V
DRV <sub>DD</sub> to DGND .....	-0.3V to +4.0V
AGND to DGND .....	-0.3V to +0.3V
AV <sub>DD</sub> to DV <sub>DD</sub> .....	-2.2V to +2.2V
Reference Voltage Input Range REFT, REFB to AGND ...	-0.3V to AV <sub>DD</sub> + 0.3V
Analog Input Voltage Range AIN to AGND .....	-0.3V to AV <sub>DD</sub> + 0.3V
Clock Input CLK to DGND .....	-0.3V to DRV <sub>DD</sub> + 0.3V
Digital Input to DGND .....	-0.3V to DV <sub>DD</sub> + 0.3V
Digital Outputs to DRGND .....	-0.3V to DRV <sub>DD</sub> + 0.3V
Operating Temperature Range (T <sub>J</sub> ) .....	0°C to +105°C
Storage Temperature Range (T <sub>STG</sub> ) .....	-65°C to +150°C

NOTE: (1) Stresses above those listed under *Absolute Maximum Ratings* may cause permanent damage to the device. Exposure to absolute maximum conditions for extended periods may affect device reliability.



## ELECTROSTATIC DISCHARGE SENSITIVITY

This integrated circuit can be damaged by ESD. Texas Instruments recommends that all integrated circuits be handled with appropriate precautions. Failure to observe proper handling and installation procedures can cause damage.

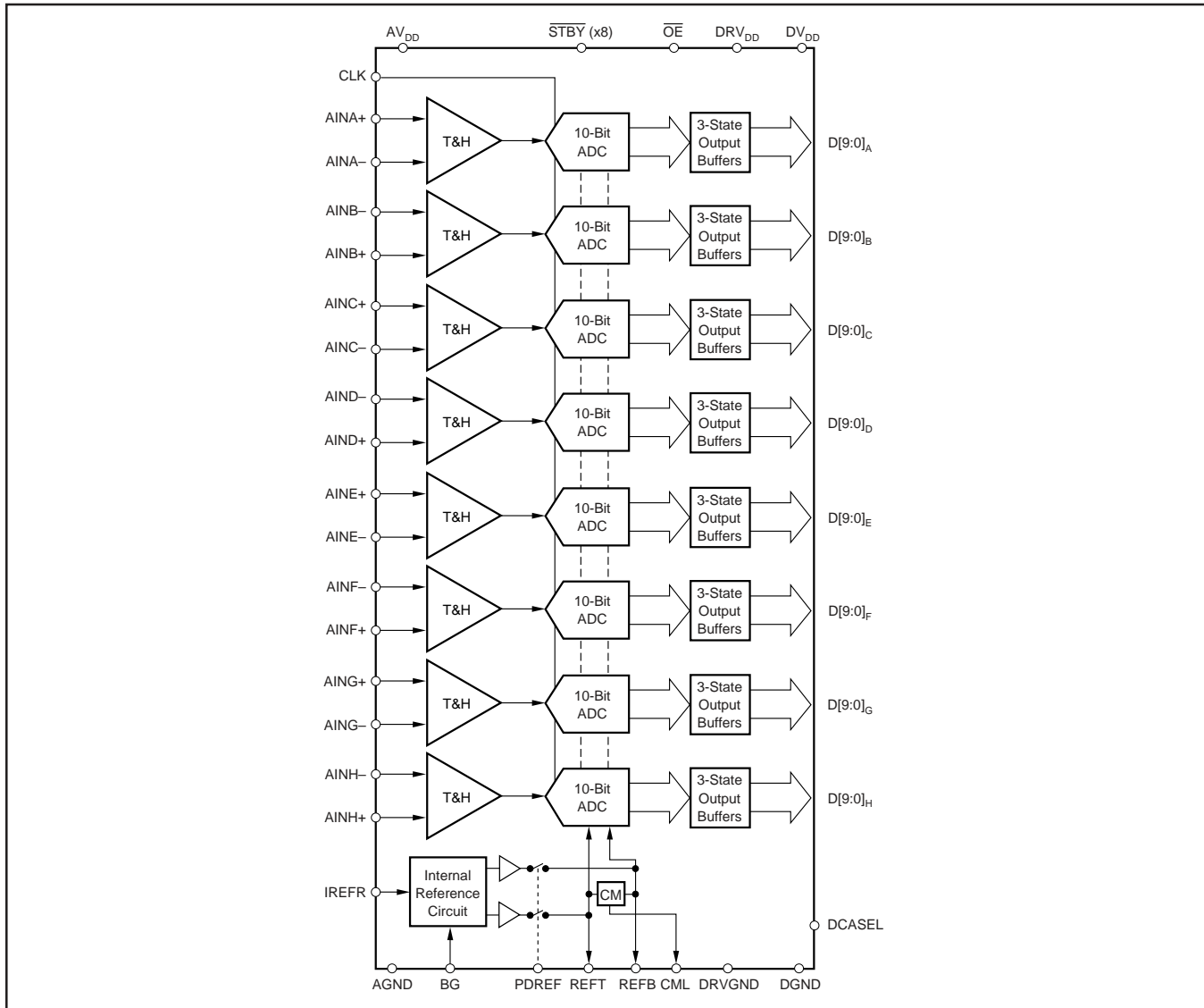
ESD damage can range from subtle performance degradation to complete device failure. Precision integrated circuits may be more susceptible to damage because very small parametric changes could cause the device not to meet its published specifications.

## PACKAGE/ORDERING INFORMATION<sup>(1)</sup>

PRODUCT	PACKAGE-LEAD	PACKAGE DESIGNATOR	SPECIFIED TEMPERATURE RANGE	PACKAGE MARKING	ORDERING NUMBER	TRANSPORT MEDIA, QUANTITY
ADS5120	MicroSTAR BGA-257	GHK	0°C to +70°C	ADS5120CGHK	ADS5120CGHK	Tray, 90
ADS5120	ROHS-Compliant Microstar	ZHK	0°C to +70°C	ADS5120CZHK	ADS5120CZHK	Tray, 90

NOTE: (1) For the most current package and ordering information, see the Package Option Addendum at the end of this document, or see the TI website at [www.ti.com](http://www.ti.com).

## BLOCK DIAGRAM



# DC CHARACTERISTICS

$AV_{DD} = DV_{DD} = 1.8V$ ,  $DRV_{DD} = 3.3V$ , Clock = 40MSPS, 50% Clock Duty Cycle,  $-0.5dBFS$  Input Span, Internal Reference,  $T_{MIN} = 0^{\circ}C$ , and  $T_{MAX} = +70^{\circ}C$ , unless otherwise noted.

PARAMETER	CONDITION	ADS5120			UNITS
		MIN	TYP	MAX	
<b>RESOLUTION</b>			10		Bits
<b>DC ACCURACY</b> Differential Nonlinearity (DNL) Integral Nonlinearity (INL) No Missing Codes Gain Error Offset Error Gain Temperature Coefficient Gain Matching	External Reference External Reference	-0.9 -1.5 -1.0	$\pm 0.4$ $\pm 0.8$ Tested 0.1 0.2 80 $\pm 0.4$	+1.0 +1.5 +1.0 +1.8	LSB LSB %FSR %FSR ppm/ $^{\circ}C$ %FSR
<b>ANALOG INPUT</b> Input Voltage Range (AIN+, AIN-) Input Voltage, Differential Full-Scale Input Common-Mode Range Input Resistance, $R_{IN}$ Input Capacitance, $C_{IN}$	$f_{CLK} = 40MSPS$	REFB	1 (REFT + REFB)/2 83 5	REFT	V $V_{PP}$ V k $\Omega$ pF
<b>INTERNAL REFERENCE VOLTAGES</b> Reference, Top (REFT) Reference, Bottom (REFB) Int Reference Temperature Coefficient		1.30 0.76	1.34 0.81 50	1.40 0.85	V V ppm/ $^{\circ}C$
<b>EXTERNAL REFERENCE GENERATION</b> Reference, Top (REFT) Reference, Bottom (REFB) Input Resistance, $REFR_{IN}$ (between REFB and REFT)		1.15 0.65	1.25 0.75 80	1.35 0.85	V V $\Omega$
<b>POWER SUPPLY</b> Operating Supply Current, $I_{DD}$ Analog Operating Supply Current, $I_{AV_{DD}}$ Digital Operating Supply Current, $I_{DV_{DD}}$ Driver Operating Supply Current, $I_{DRV_{DD}}$ Operating Voltage $AV_{DD}$ $DV_{DD}$ $DRV_{DD}$ Power Dissipation Standby Power (STBY)  PSRR, Power-Supply Rejection Ratio	$f_{IN} = 3.5MHz$  $C_L = 20pF$  CLK Running CLK Stopped PDREF = 1, External REF, CLK Running PDREF = 1, External REF, CLK Stopped  $\pm 5\%$		398 294 44 53  794 68 60 10 2.5 0.8	450 340 49 60  850	mA mA mA mA  mW mW mW mW mW mW/V

# DC CHARACTERISTICS

$AV_{DD} = DV_{DD} = 1.8V$ ,  $DRV_{DD} = 3.3V$ , Clock = 40MSPS, 50% Clock Duty Cycle,  $-0.5dBFS$  Input Span, Internal Reference, and  $T_{MIN}$  to  $T_{MAX}$ , unless otherwise noted.

PARAMETER	CONDITION	ADS5120			UNITS
		MIN	TYP	MAX	
<b>DIGITAL INPUTS (<math>\overline{STBY}</math> A-H, PDREF, <math>\overline{OE}</math>, CLK)</b> High-Level Input Voltage, $V_{IH}$ Low-Level Input Voltage, $V_{IL}$ High-Level Input Current, $I_{IH}$ Low-Level Input Current, $I_{IL}$	$DRV_{DD} = 3.3V/1.8V$ $V_{IH} = DRV_{DD}$ $V_{IL} = 0V$	$0.70 \cdot DRV_{DD}$		$0.25 \cdot DRV_{DD}$ $\pm 1$ $\pm 1$	V V $\mu A$ $\mu A$
<b>DIGITAL INPUTS (DCASEL)</b> High-Level Input Voltage, $V_{IH}$ Low-Level Input Voltage, $V_{IL}$ High-Level Input Current, $I_{IH}$ Low-Level Input Current, $I_{IL}$	$V_{IH} = DV_{DD}$ $V_{IL} = 0V$	$0.70 \cdot DV_{DD}$		$0.25 \cdot DV_{DD}$ $\pm 1$ $\pm 1$	V V $\mu A$ $\mu A$
<b>DIGITAL OUTPUTS (<math>DRV_{DD} = 3.3/1.8V</math>)</b> High-Level Output Voltage, $V_{OH}$ Low-Level Output Voltage, $V_{OL}$ External Load Capacitance, $C_L$ 3-State Leakage Current, $I_{LEAK}$	$I_{OH} = -50\mu A$ $I_{OL} = 50\mu A$  $\overline{OE} = HIGH$	$0.8 \cdot DRV_{DD}$	15	$0.2 \cdot DRV_{DD}$  $\pm 1$	V V pF $\mu A$

# TARGETED AC CHARACTERISTICS

$AV_{DD} = DV_{DD} = 1.8V$ ,  $DRV_{DD} = 3.3V$ , 50% Clock Duty Cycle, CLK = 40MSPS, Analog input at  $-0.5dBFS$  Input Span, Internal voltage reference,  $T_{MIN} = 0^{\circ}C$ ,  $T_{MAX} = 70^{\circ}C$ , and typical values are at  $T_A = 25^{\circ}C$ , unless otherwise noted.

PARAMETER	CONDITION	ADS5120			UNITS
		MIN	TYP	MAX	
Signal-to-Noise Ratio (SNR)	$f_{IN} = 3.5MHz$	55	58		dB
	$f_{IN} = 10MHz$	55	58		dB
	$f_{IN} = 20MHz$		58		dB
Signal-to-Noise and Distortion (SINAD)	$f_{IN} = 3.5MHz$	55	57		dB
	$f_{IN} = 10MHz$	55	57		dB
	$f_{IN} = 20MHz$		57		dB
Effective Number of Bits (ENOB)	$f_{IN} = 3.5MHz$	8.8	9.2		Bits
	$f_{IN} = 10MHz$	8.8	9.2		Bits
	$f_{IN} = 20MHz$	8.8	9.2		Bits
Spurious-Free Dynamic Range (SFDR)	$f_{IN} = 3.5MHz$	65	73		dBc
	$f_{IN} = 10MHz$	65	72		dBc
	$f_{IN} = 20MHz$		72		dBc
2nd-Harmonic Distortion (HD2)	$f_{IN} = 3.5MHz$	68	79		dBc
	$f_{IN} = 10MHz$	68	80		dBc
	$f_{IN} = 20MHz$		80		dBc
3rd-Harmonic Distortion (HD3)	$f_{IN} = 3.5MHz$	65	76		dBc
	$f_{IN} = 10MHz$	65	78		dBc
	$f_{IN} = 20MHz$		73		dBc
2-Tone Intermodulation Distortion (IMD)	$f_1 = 4.43MHz$ , $f_2 = 4.53MHz$ at $-6.5dB$		-69		dBFS
Channel-to-Channel Crosstalk	$f_{IN} = 10MHz$ , $DRV_{DD} = 3.3V$		89		dB
Large-Signal Bandwidth (FPBW)			300		MHz
Over-Voltage Recovery Time <sup>(1)</sup>			20		ns
Differential Gain <sup>(1)</sup>			$\pm 1$		%
Differential Phase <sup>(1)</sup>			$\pm 0.25$		Degree

NOTE: (1) Assured by design.

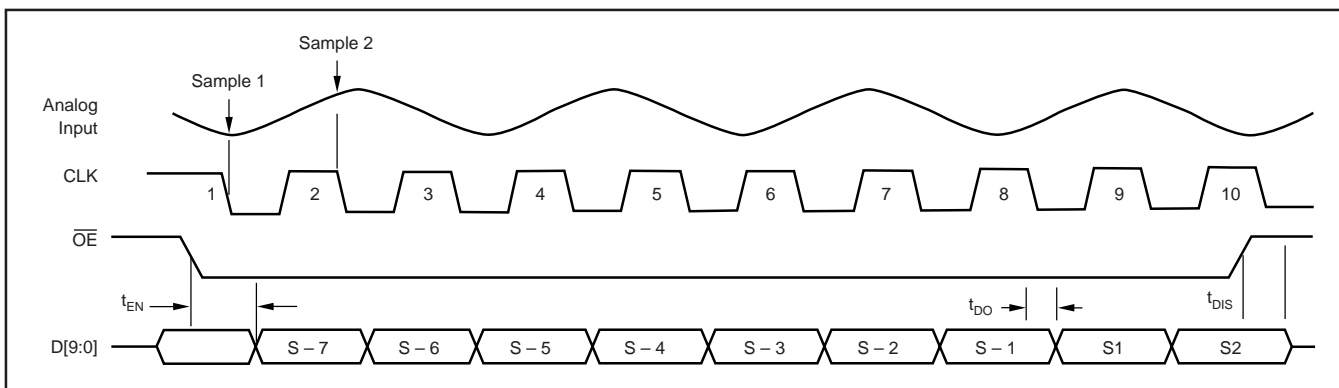
# SWITCHING CHARACTERISTICS

$AV_{DD} = DV_{DD} = 1.8V$ ,  $DRV_{DD} = 3.3V$ , 50% Clock Duty Cycle, CLK = 40MSPS, Analog input at  $-0.5dBFS$  Input Span, Internal voltage reference,  $T_{MIN} = 0^{\circ}C$ , and  $T_{MAX} = 70^{\circ}C$ . Typical values are at  $T_A = 25^{\circ}C$ , unless otherwise noted.

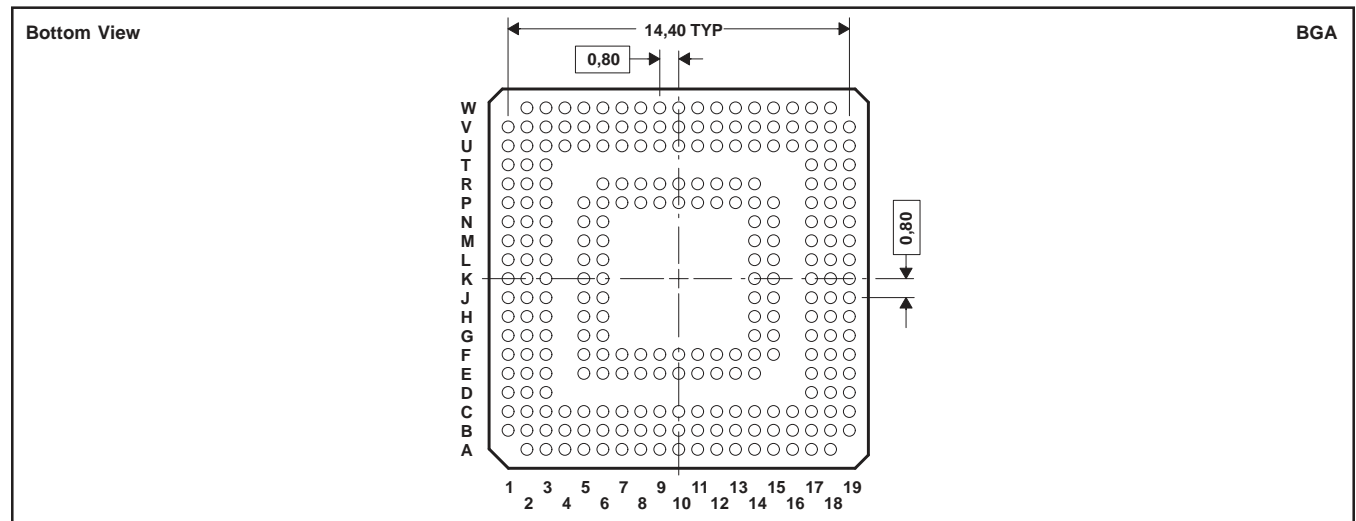
PARAMETER	CONDITION	ADS5120			UNITS
		MIN	TYP	MAX	
Maximum Conversion Rate	DCASEL Enabled	1		40	MSPS
Clock Duty Cycle			30 to 70		%
Data Latency <sup>(1)</sup>			7		Clk Cycles
Clock $\downarrow$ to Data Valid $t_{DO}^{(1)}$			8	10	ns
$\overline{OE} \downarrow$ to Outputs Enabled $t_{EN}^{(1)}$			8		ns
$\overline{OE} \uparrow$ Rising to Outputs Tri-Stated $t_{DIS}$			8		ns
Aperture Delay			1		ns
Aperture Uncertainty (Jitter)			2		ps, rms

NOTE: (1) See Timing Diagram.

## TIMING DIAGRAM (Per ADC Channel)



## PIN CONFIGURATION



## PIN DESCRIPTIONS

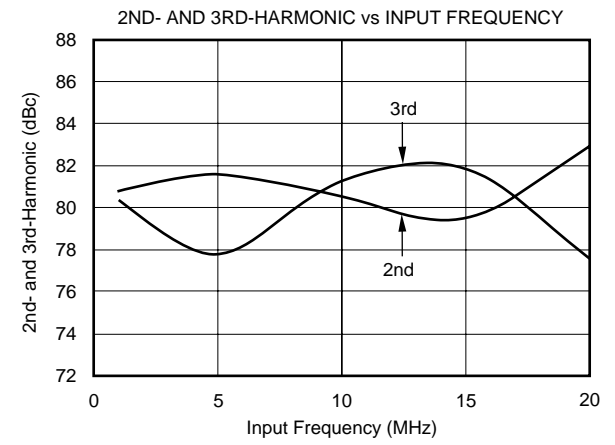
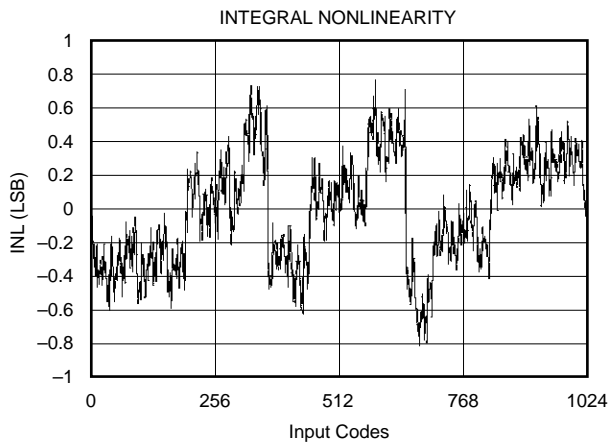
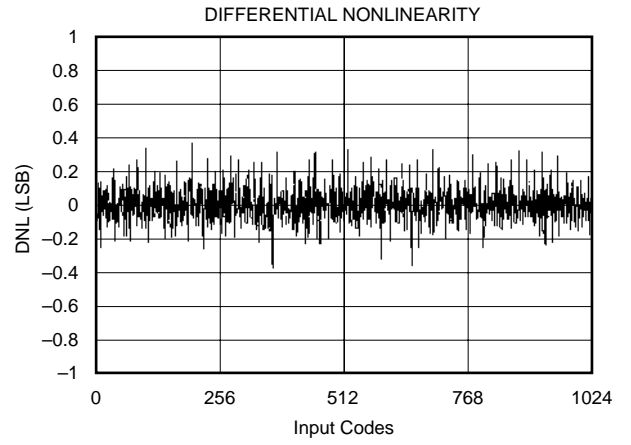
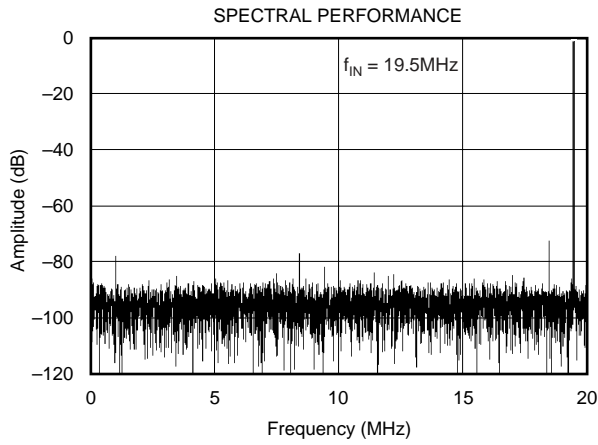
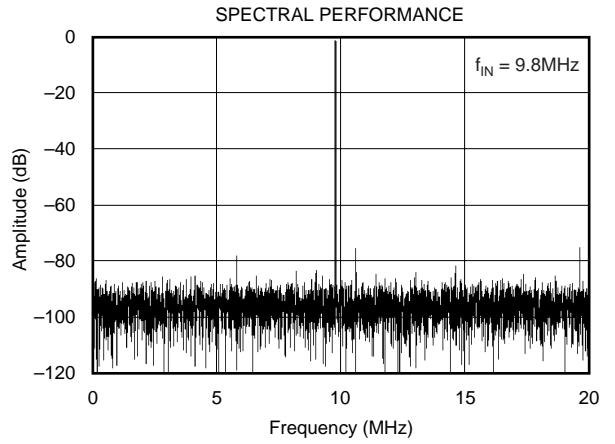
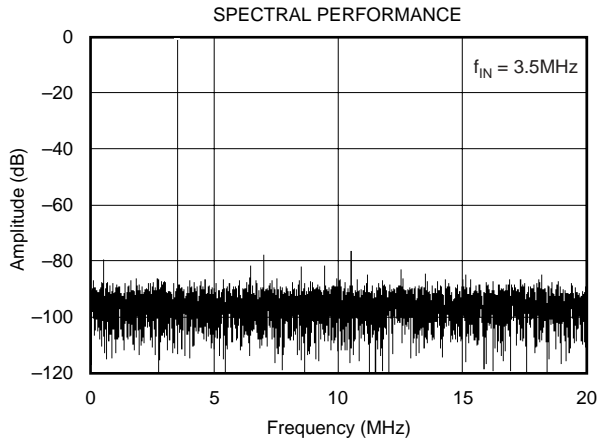
NAME	PINS	I/O	TERMINAL DESCRIPTION
AV <sub>DD</sub>	C6, C7, E6, F1, F2, F3, F5, F6, J6, N3, P3, P5, P6, P7, R6, V6, W6	I	Analog Supply, (1.8V)
AGND	A3, A5, B5, B9, C1, C5, C9, E3, E7, F7, G1, G5, G6, H6, J1, J2, M2, N5, N6, P8, R1, R2, R3, R7, U1, U5, U10, V5, V10, W3, W7	I	Analog Ground
AINA+	U7	I	Analog Input Channel A
AINA-	V7	I	Complementary Analog Input Channel A
AINB+	W4	I	Analog Input Channel B
AINB-	V4	I	Complementary Analog Input Channel B
AINC+	T1	I	Analog Input Channel C
AINC-	T2	I	Complementary Analog Input Channel C
AIND+	P2	I	Analog Input Channel D
AIND-	P1	I	Complementary Analog Input Channel D
AINE+	G3	I	Analog Input Channel E
AINE-	G2	I	Complementary Analog Input Channel E
AINF+	D1	I	Analog Input Channel F
AINF-	D2	I	Complementary Analog Input Channel F
AING+	A4	I	Analog Input Channel G
AING-	B4	I	Complementary Analog Input Channel G
AINH+	B6	I	Analog Input Channel H
AINH-	A6	I	Complementary Analog Input Channel H
CLK	W9	I	Clock Input
REFT	K3, L1, J3	I/O	Reference Top
REFB	K5, J5, L5	I/O	Reference Bottom
CML	L2, L3	O	Common-Mode Level Output
BG	K1	I/O	Bandgap Decoupling (Decouple with 1µF cap to AGND and 100kΩ to AV <sub>DD</sub> )
IREFR	K6	I	Internal Reference Bias Current (Connect 6.19kΩ resistor from this pin AGND to set internal bias amplifier current.)
DNC	W5	I	Do Not Connect
DNC	U6	I	Do Not Connect
NC	E1, E2, E5, K2, L6, M1	I	No Internal Connection
DCASEL	N2	I	Duty Cycle Adjust
DV <sub>DD</sub>	C2, C3, C4, D3, E8, F8, H3, H5, M3, M5, R8, T3, U3, U4, U8, V3, P13, R13 P17, L15, J14, F17, F12, E12	I	Digital Supply (1.8V)
DGND	A2, A7, B1, B2, B3, B7, B13, C13, G15, H1, H2, H17, L17, M6, N1, N15, U2, U13, U14, V1, V2, V8, W2, W8	I	Digital Ground
PDREF	V9	I	Power-Down Ref: 0 = internal reference, 1 = external reference. In external reference mode connect REFT to BG pin.
STBY A	W10	I	Power-Down Channel A
STBY B	P9	I	Power-Down Channel B
STBY C	R9	I	Power-Down Channel C
STBY D	U9	I	Power-Down Channel D
STBY E	C8	I	Power-Down Channel E
STBY F	B8	I	Power-Down Channel F
STBY G	A8	I	Power-Down Channel G
STBY H	A9	I	Power-Down Channel H
OE	P10	I	Enable all Digital Outputs, Ch A-H. OE: 0 = Outputs Enable. OE: 1 = Outputs disabled (3-State).
DRV <sub>DD</sub>	B17, C16, D17, E9, E10, E11, E17, F9, H14, H15, K17, L14, N14, P12, P14, P15 R10, R12, R14	I	Driver Digital Supply (1.8V or 3.3V)
DRGND	E13, F10, F11, F13, F14, F15, G14, G17, M14, M15, M17, N17, U11, U12, U15, U16	I	Driver Digital Ground

## DATA OUTPUT PINS

NAME	PINS	I/O	TERMINAL DESCRIPTION	NAME	PINS	I/O	TERMINAL DESCRIPTION
D0A	V14	O	Bit 1, Channel A (LSB)	D0E	F18	O	Bit 1, Channel E (LSB)
D1A	W14	O	Bit 2, Channel A	D1E	F19	O	Bit 2, Channel E
D2A	V13	O	Bit 3, Channel A	D2E	G18	O	Bit 3, Channel E
D3A	W13	O	Bit 4, Channel A	D3E	G19	O	Bit 4, Channel E
D4A	V12	O	Bit 5, Channel A	D4E	H18	O	Bit 5, Channel E
D5A	W12	O	Bit 6, Channel A	D5E	H19	O	Bit 6, Channel E
D6A	R11	O	Bit 7, Channel A	D6E	J15	O	Bit 7, Channel E
D7A	P11	O	Bit 8, Channel A	D7E	J17	O	Bit 8, Channel E
D8A	V11	O	Bit 9, Channel A	D8E	J18	O	Bit 9, Channel E
D9A	W11	O	Bit 10, Channel A (MSB)	D9E	J19	O	Bit 10, Channel E (MSB)
D0B	V19	O	Bit 1, Channel B (LSB)	D0F	A18	O	Bit 1, Channel F (LSB)
D1B	V18	O	Bit 2, Channel B	D1F	B18	O	Bit 2, Channel F
D2B	U17	O	Bit 3, Channel B	D2F	C17	O	Bit 3, Channel F
D3B	W18	O	Bit 4, Channel B	D3F	B19	O	Bit 4, Channel F
D4B	V17	O	Bit 5, Channel B	D4F	C18	O	Bit 5, Channel F
D5B	W17	O	Bit 6, Channel B	D5F	C19	O	Bit 6, Channel F
D6B	V16	O	Bit 7, Channel B	D6F	D18	O	Bit 7, Channel F
D7B	W16	O	Bit 8, Channel B	D7F	D19	O	Bit 8, Channel F
D8B	V15	O	Bit 9, Channel B	D8F	E18	O	Bit 9, Channel F
D9B	W15	O	Bit 10, Channel B (MSB)	D9F	E19	O	Bit 10, Channel F (MSB)
D0C	P19	O	Bit 1, Channel C (LSB)	D0G	A14	O	Bit 1, Channel G (LSB)
D1C	P18	O	Bit 2, Channel C	D1G	B14	O	Bit 2, Channel G
D2C	R19	O	Bit 3, Channel C	D2G	C14	O	Bit 3, Channel G
D3C	R18	O	Bit 4, Channel C	D3G	A15	O	Bit 4, Channel G
D4C	R17	O	Bit 5, Channel C	D4G	B15	O	Bit 5, Channel G
D5C	T19	O	Bit 6, Channel C	D5G	E14	O	Bit 6, Channel G
D6C	T18	O	Bit 7, Channel C	D6G	C15	O	Bit 7, Channel G
D7C	U19	O	Bit 8, Channel C	D7G	A16	O	Bit 8, Channel G
D8C	U18	O	Bit 9, Channel C	D8G	B16	O	Bit 9, Channel G
D9C	T17	O	Bit 10, Channel C (MSB)	D9G	A17	O	Bit 10, Channel G (MSB)
D0D	K14	O	Bit 1, Channel D (LSB)	D0H	C10	O	Bit 1, Channel H (LSB)
D1D	K15	O	Bit 2, Channel D	D1H	B10	O	Bit 2, Channel H
D2D	K18	O	Bit 3, Channel D	D2H	A10	O	Bit 3, Channel H
D3D	K19	O	Bit 4, Channel D	D3H	C11	O	Bit 4, Channel H
D4D	L18	O	Bit 5, Channel D	D4H	B11	O	Bit 5, Channel H
D5D	L19	O	Bit 6, Channel D	D5H	A11	O	Bit 6, Channel H
D6D	M19	O	Bit 7, Channel D	D6H	A12	O	Bit 7, Channel H
D7D	M18	O	Bit 8, Channel D	D7H	B12	O	Bit 8, Channel H
D8D	N19	O	Bit 9, Channel D	D8H	C12	O	Bit 9, Channel H
D9D	N18	O	Bit 10, Channel D (MSB)	D9H	A13	O	Bit 10, Channel H (MSB)

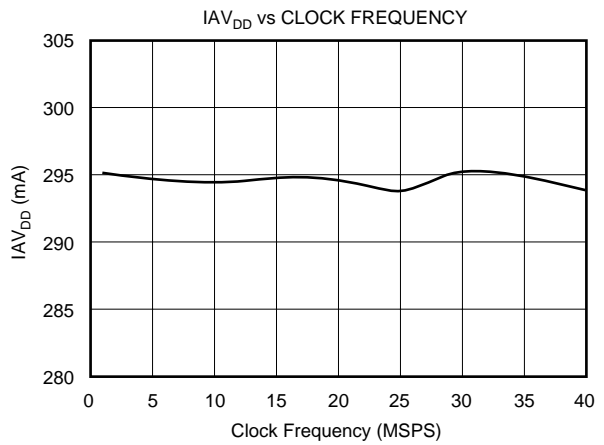
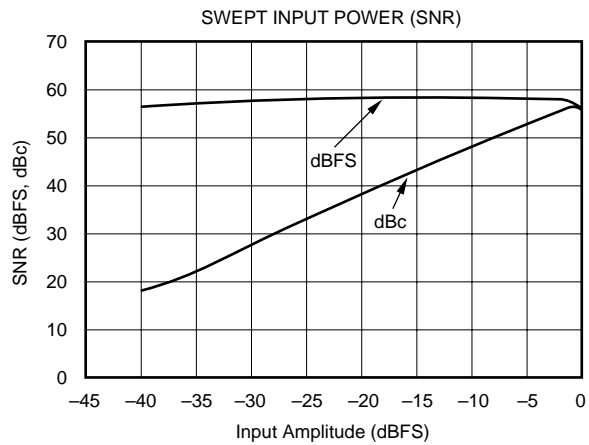
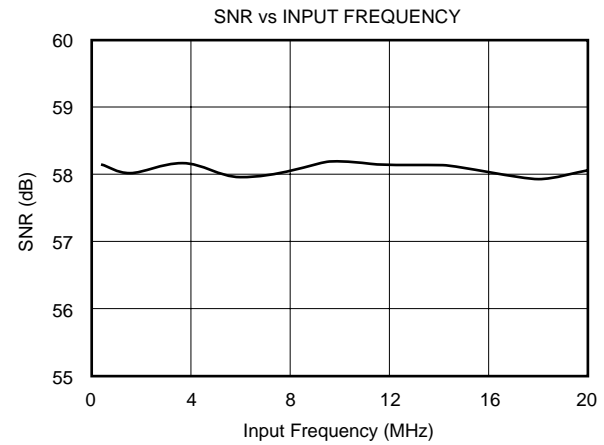
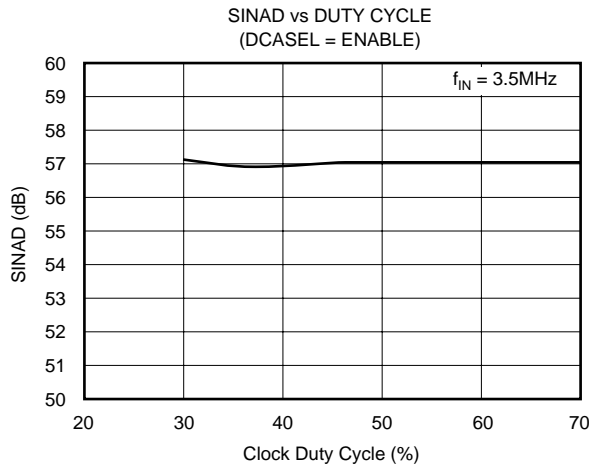
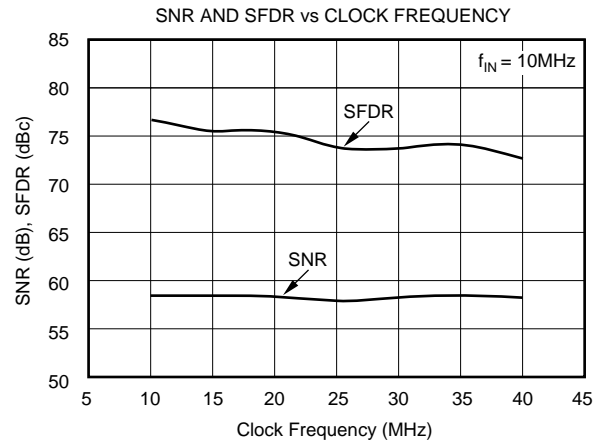
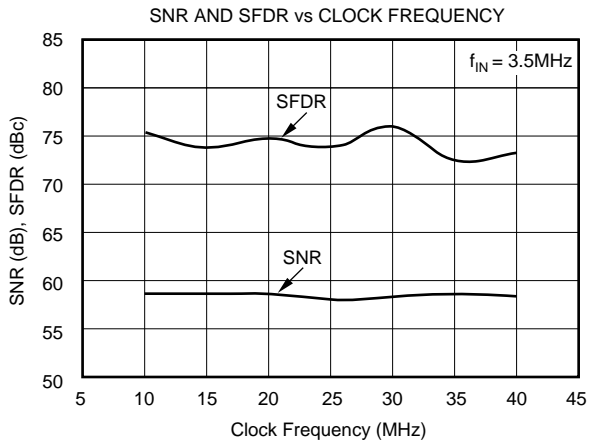
# TYPICAL CHARACTERISTICS

$T_A = 25^\circ\text{C}$ ,  $AV_{DD} = DV_{DD} = 1.8\text{V}$ ,  $DRV_{DD} = 3.3\text{V}$ ,  $f_{IN} = -0.5\text{dBFS}$ , Internal Reference, Clock = 40MSPS, and Differential Input Range =  $1V_{pp}$ , unless otherwise noted.



# TYPICAL CHARACTERISTICS (Cont.)

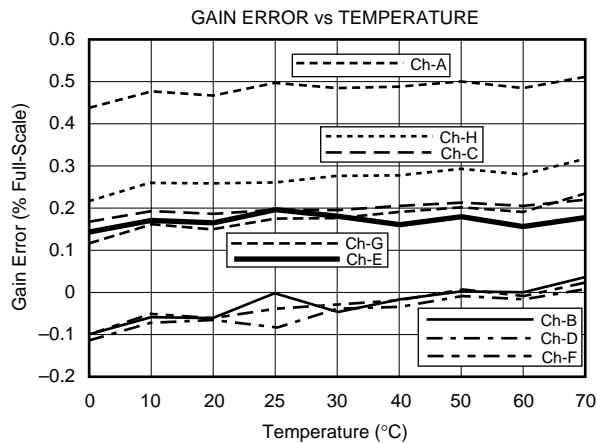
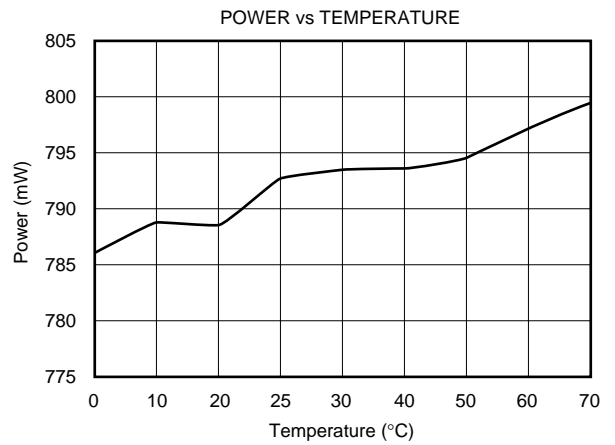
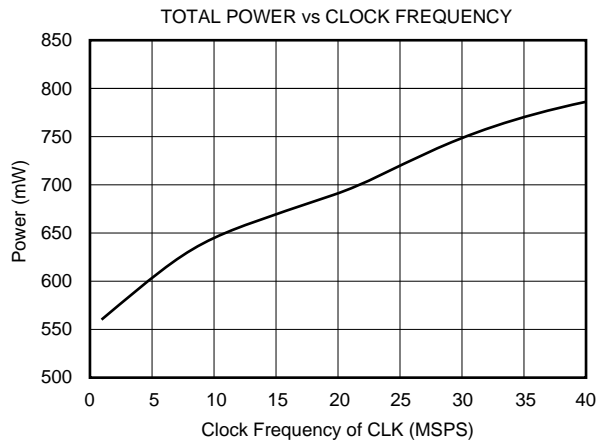
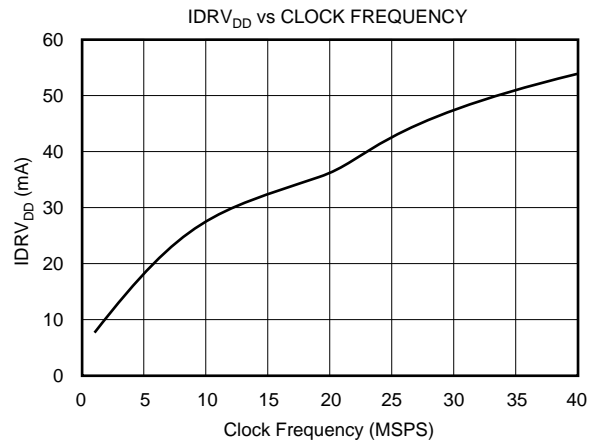
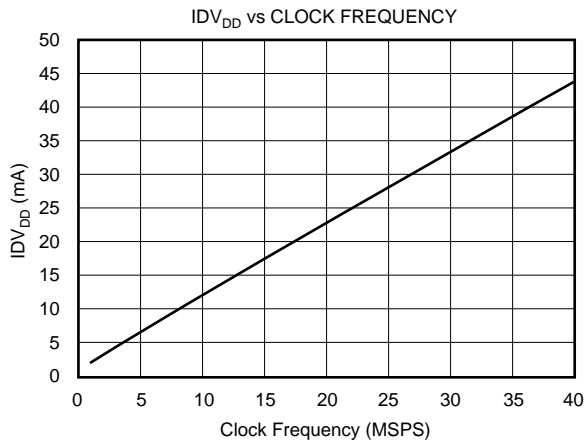
$T_A = 25^\circ\text{C}$ ,  $AV_{DD} = DV_{DD} = 1.8\text{V}$ ,  $DRV_{DD} = 3.3\text{V}$ ,  $f_{IN} = -0.5\text{dBFS}$ , Internal Reference, Clock = 40MSPS, and Differential Input Range =  $1V_{pp}$ , unless otherwise noted.





# TYPICAL CHARACTERISTICS (Cont.)

$T_A = 25^\circ\text{C}$ ,  $AV_{DD} = DV_{DD} = 1.8\text{V}$ ,  $DRV_{DD} = 3.3\text{V}$ ,  $f_{IN} = -0.5\text{dBFS}$ , Internal Reference, Clock = 40MSPS, and Differential Input Range =  $1V_{pp}$ , unless otherwise noted.



# APPLICATION INFORMATION

## CONVERTER OPERATION

The ADS5120 is an 8-channel, simultaneous sampling ADC. Its low power (100mW/channel) and high sampling rate of 40MSPS is achieved using a state-of-the-art switched capacitor pipeline architecture built on an advanced low-voltage CMOS process. The ADS5120 primarily operates from a +1.8V single supply. For additional interfacing flexibility, the digital I/O supply (DRV<sub>DD</sub>) can be set to either +1.8V or +3.3V. The ADC core of each channel consists of 10 pipeline stages. Each of the 10 stages produces one digital bit per stage. Both the rising and the falling clock edges are utilized to propagate the sample through the pipeline every half clock, for a total of five clock cycles. Two additional clock cycles are needed to pass the sample data through the digital error correction logic and the output latches. The total pipeline delay, or data latency, is therefore seven clock cycles long. Since a common clock controls the timing of all eight channels, the analog signal is sampled at the same time, as well as the data on the parallel ports which becomes updated simultaneously.

## ANALOG INPUTS

The analog input for each channel of the ADS5120 consists of a differential track-and-hold amplifier implemented using a switched capacitor technique, shown in Figure 1. This differential input topology along with closely matched capacitors produces a high level of AC performance up to high sampling rates.

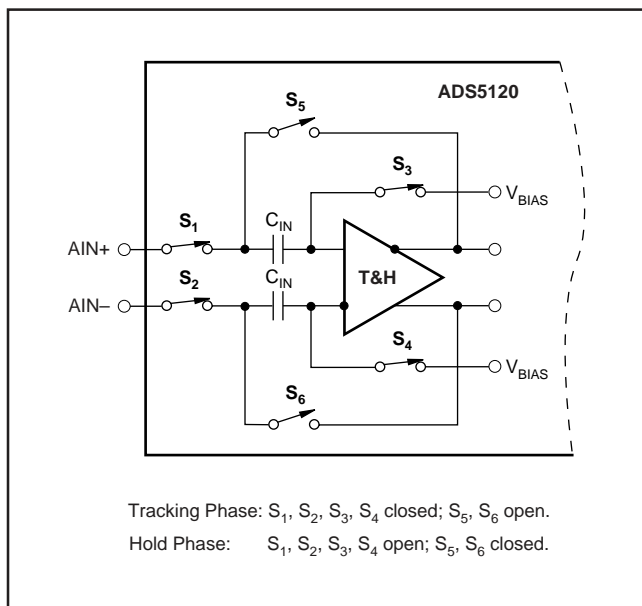


FIGURE 1. Simplified Circuit of Input Track-and-Hold.

## INPUT IMPEDANCE

Because of the switched capacitor input track-and-hold amplifier, the input impedance of the ADS5120 is effectively capacitive, and the driving source needs to provide sufficient

slew current to charge and discharge the input sampling capacitor while the track-and-hold amplifier is in track mode. The input impedance of the ADS5120 is also a function of the sampling rate. As the sampling frequency increases, the input impedance decreases linearly at a rate of 1/fs. For most applications, this does not represent a limitation since the impedance remains relatively high, for example, approximately 83kΩ at the max sampling rate of 40MSPS. For applications using an op amp to drive the ADC, it is recommended that a series resistor, typically 10Ω to 50Ω, be added between the amplifier output and the converter inputs. This will isolate the converter capacitive input from the driver and avoid potential gain peaking, or instability.

## INPUT BIASING

The ADS5120 operates from a single +1.8V analog supply, and requires each of the analog inputs (AIN+, AIN-) to be externally biased by a suitable common-mode voltage. For example, with a common-mode voltage of +1V, the 1V<sub>PP</sub> full-scale, differential input signal will swing symmetrically around +1V, or between 0.75V and 1.25V. This is determined by the two reference voltages, the top reference (REF<sub>T</sub>), and the bottom reference (REF<sub>B</sub>). Typically, the input common-mode level is related to the reference voltages and defined as (REF<sub>T</sub> + REF<sub>B</sub>)/2. This reference mid-point is provided at the CML pin and can directly be used for input biasing purposes. The voltage at CML will assume the mid-point for either internal or external reference operation. In any case, it is recommended to bypass the CML pin with a ceramic 0.1μF capacitor.

## DRIVING THE ANALOG INPUTS

### Differential versus Single-Ended

The analog input of the ADS5120 allows it to be driven either single-ended or differentially. Differential operation of the ADS5120 requires an input signal that consists of an in-phase and a 180° out-of-phase part simultaneously applied to the inputs (AIN+, AIN-). The full-scale input range of the ADS5120 is defined by the reference voltages according to FSR = 2 × (REF<sub>T</sub> - REF<sub>B</sub>). For a typical 1V<sub>PP</sub> range, the differential input configuration only requires each input to see a signal swing of 0.5V<sub>PP</sub>. Operating the converter in single-ended configuration requires the full 1V<sub>PP</sub> swing applied to the chosen input. The differential operation offers a number of advantages, which in most applications will be instrumental in achieving the best dynamic performance of the ADS5120:

- The signal swing is half of that required for the single-ended operation and is therefore less demanding to achieve while maintaining good linearity performance from the signal source.
- The reduced signal swing allows for more headroom of the interface circuitry and therefore a wider selection of the best suitable driver op amp.
- Even-order harmonics are minimized.
- Improves the noise immunity based on the converter's common-mode input rejection.

For the single-ended mode, the signal is applied to one of the inputs while the other input is biased with a DC voltage to the required common-mode level. Both inputs are identical in terms of their impedance and performance. Applying the signal to the complementary input (AIN-) instead of the AIN+ input, however, will invert the orientation of the input signal relative to the output code. This could be helpful, for example, if the input driver operates in inverting mode using input AIN- as the signal input will restore the phase of the signal to its original orientation.

## INPUT DRIVER CONFIGURATIONS

### Transformer-Coupled Interface

If the application requires a signal conversion from a single-ended source to drive the ADS5120 differentially, an RF-transformer might be a good solution. The selected transformer must have a center tap in order to apply the common-mode DC voltage necessary to bias the converter inputs. AC-grounding the center tap will generate the differential signal swing across the secondary winding. Consider a step-up transformer to take advantage of signal amplification without the introduction of another noise source. Furthermore, the reduced signal swing from the source may lead to an improved distortion performance.

The differential input configuration may provide a noticeable advantage of achieving good SFDR performance over a wide range of input frequencies. In this mode, both inputs (AIN+ and AIN-) of the ADS5120 see matched impedances. Figure 2 shows the schematic for the suggested transformer-coupled interface circuit. The component values of the R-C low-pass may be optimized depending on the desired roll-off frequency.

### Single-Ended, AC-Coupled Driver

The circuit of Figure 3 shows an example for driving the inputs of the ADS5120 in a single-ended configuration. The signal is AC-coupled between the driver amplifier and the converter input (AIN+). This allows for setting the required common-mode voltages for the ADC and op amp separately. The single-supply op amp is biased at mid-supply by two resistors connected at its noninverting input. Connecting each input to the CML pin provides the required common-mode voltage for the inputs of the ADS5120. Here, two resistors of equal value ensure that the inputs see closely matched source impedances. If the op amp features a disable function, it could be easily tied together with the power-down pin of the ADS5120 channel (STBY). In the circuit example depicted in Figure 3, the OPA355 EN pin is

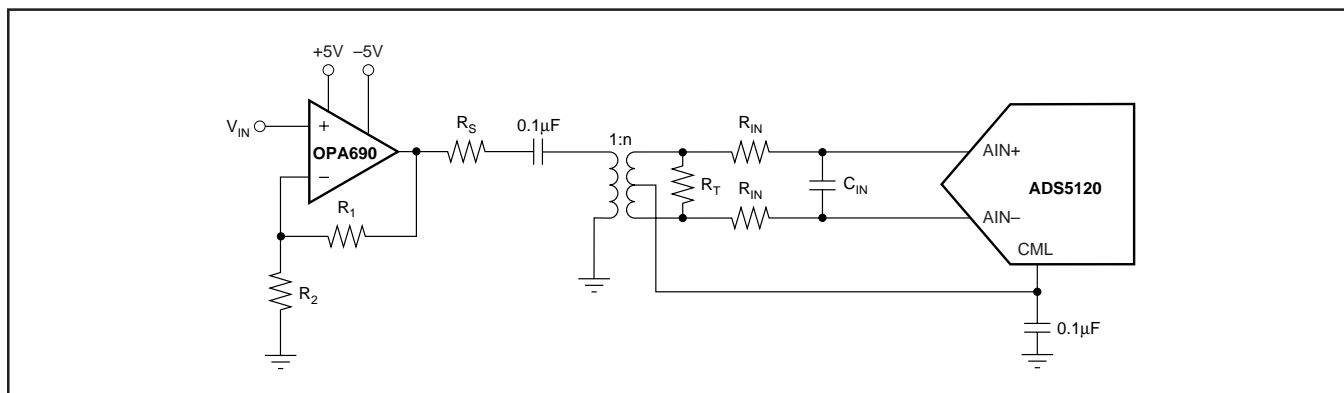


FIGURE 2. Converting a Single-Ended Input Signal into a Differential Signal Using an RF-Transformer.

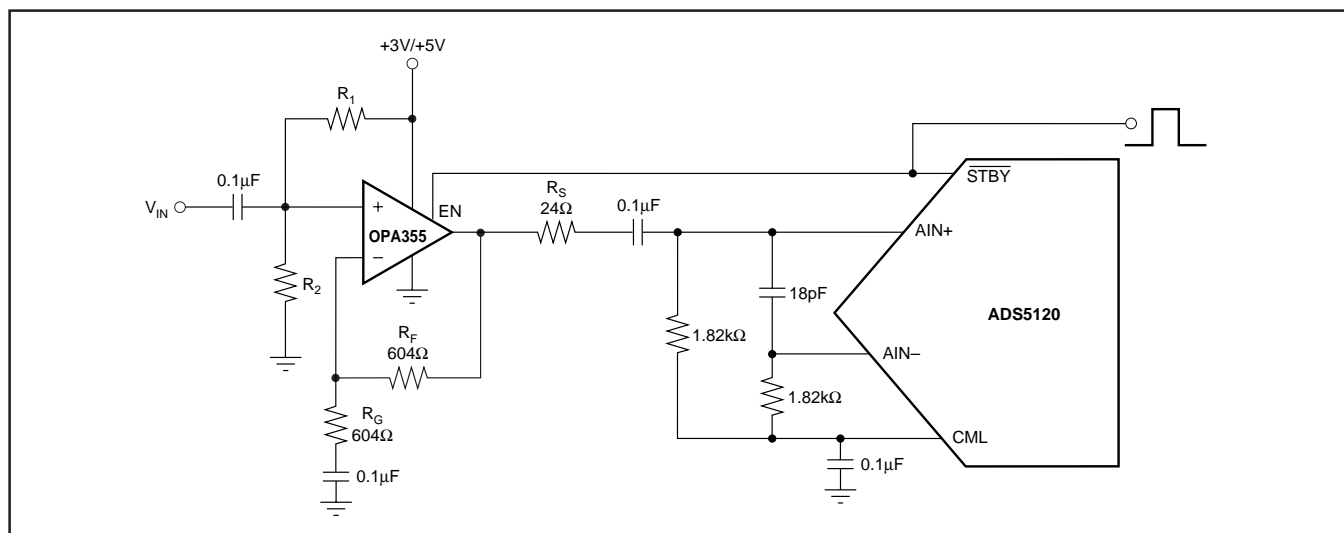


FIGURE 3. Single-Ended, AC-Coupled Driver Configuration for Single Supply.

directly connected to the  $\overline{\text{STBY}}$  pin to allow for a power-down mode of the entire circuit. Other suitable op amps for single-supply driver applications include the OPA634, OPA635, or OPA690, for example.

### DC-Coupled Interface with Differential Amplifier

Differential input/output amplifiers can simplify the driver circuit for applications requiring input DC-coupling. Flexible in their configurations, such amplifiers can be used for single-ended to differential conversion, allow for signal amplification, and also filtering prior to the ADC. Figure 4 shows one possible circuit implementation using the THS4130 amplifier. Here, the amplifier operates with a gain of +1. The common-mode voltage available at the CML pin can be conveniently connected to the amplifier VOCM pin to set the required input bias for the ADS5120.

### REFERENCE OPERATION

For proper operation of the ADS5120 and its reference, an external 6.19k $\Omega$  resistor must be connected from the

IREFR pin to analog ground, AGND (as shown in Figure 5). While a 1% resistor tolerance is adequate, deviating from this resistor value will cause altered and degraded performance.

To ensure proper operation with any reference configuration, it is necessary to provide solid bypassing at all reference pins in order to keep the clock feedthrough to a minimum. Figure 5 shows the recommended decoupling scheme. Good performance can be obtained using 0.1 $\mu\text{F}$  low inductance ceramic capacitors. Adding tantalum capacitors (1 $\mu\text{F}$  to 10 $\mu\text{F}$ ) may lead to a performance improvement, depending on the application. All bypassing capacitors should be located as close to their respective pins as possible.

### INTERNAL REFERENCE

The internal reference circuit of the ADS5120 consists of a bandgap voltage reference, the drivers for the top and bottom reference, and the resistive reference ladder. The corresponding reference pins are REFT, REFB, CML, IREFR, BG, and PDREF. In order to enable the internal reference,

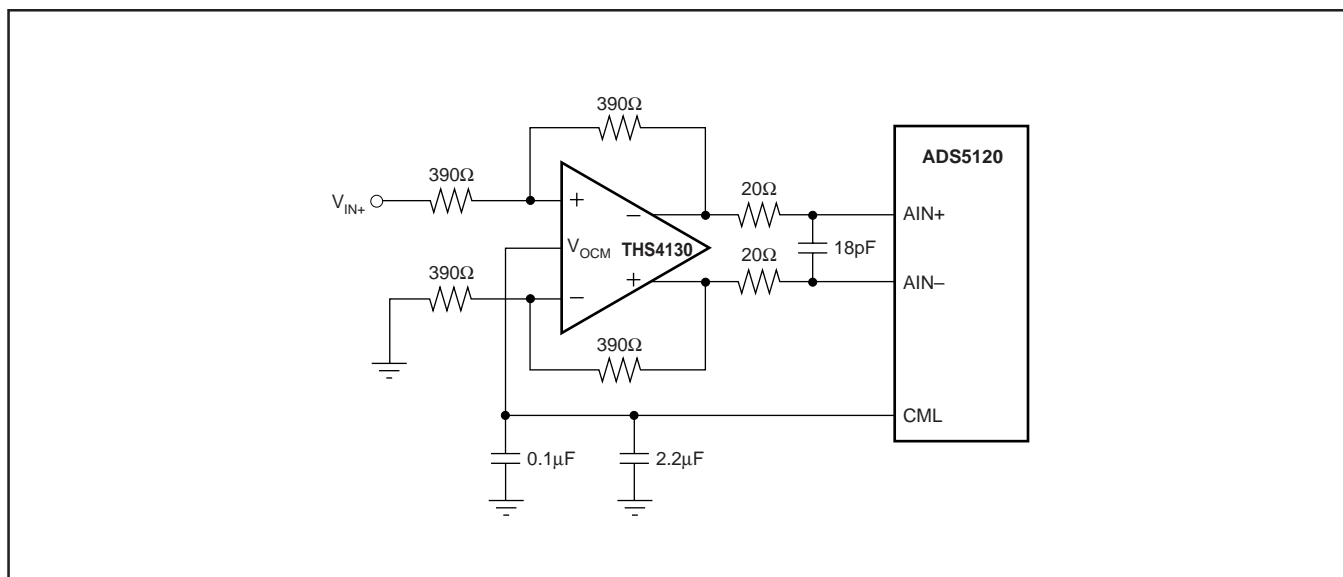


FIGURE 4. DC-Coupled Interface Using Differential I/O Amplifier THS4130.

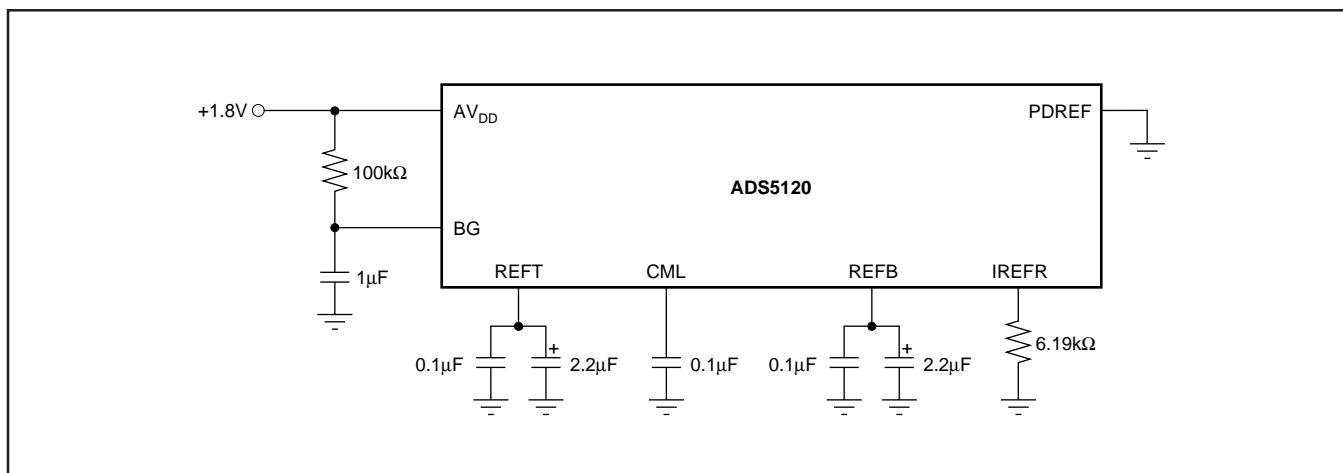


FIGURE 5. Internal Reference; Recommended Configuration and Bypassing.

pin PDREF must be at a logic LOW = 0 level. In addition, the bandgap pin BG must have a 100kΩ pull-up resistor to AV<sub>DD</sub>, and should be decoupled with a 1μF capacitor. The reference circuit provides the reference voltages to each of the eight channels.

The reference buffers can be utilized to supply up to 1mA (sink and source) to an external circuitry. The common-mode level output pin, CML, represents the mid-point of the internal resistor ladder and is an unbuffered node. Loading of this pin should be avoided, as it will lead to degradation of the converter linearity.

### USING EXTERNAL REFERENCES

For even more design flexibility, the internal reference can be disabled and an external reference voltage used. The utilization of an external reference may be considered for applications, requiring higher accuracy or improved temperature performance. Especially in multi-channel applications, the use of a common external reference has the benefit of

obtaining better matching of the full-scale range between converters.

Setting the ADS5120 for external reference mode requires taking the PDREF pin HIGH. In addition, pins BG and REFT must be connected together (as shown in Figure 6). The common-mode voltage at the CML pin will be maintained at approximately the mid-point of the applied reference voltages, according to  $CML \approx (V_{REFT} - V_{REFB})/2$ . The internal buffer amplifiers for REFT and REFB are disabled when the ADS5120 operates in the external reference mode. The external reference circuit must be designed to drive the internal reference ladder (80Ω) located between the REFT and REFB pins. For example, setting REFT = +1.25V and REFB = +0.75V will require a current drive capability of at least  $0.5V/80\Omega = 6.25mA$ . The external references can vary as long as the value of the external top reference (REFT<sub>EXT</sub>) stays within the range of +1.15V to +1.35V, and the external bottom reference (REFB<sub>EXT</sub>) stays within +0.65V to +0.85V (as shown in Figure 7).

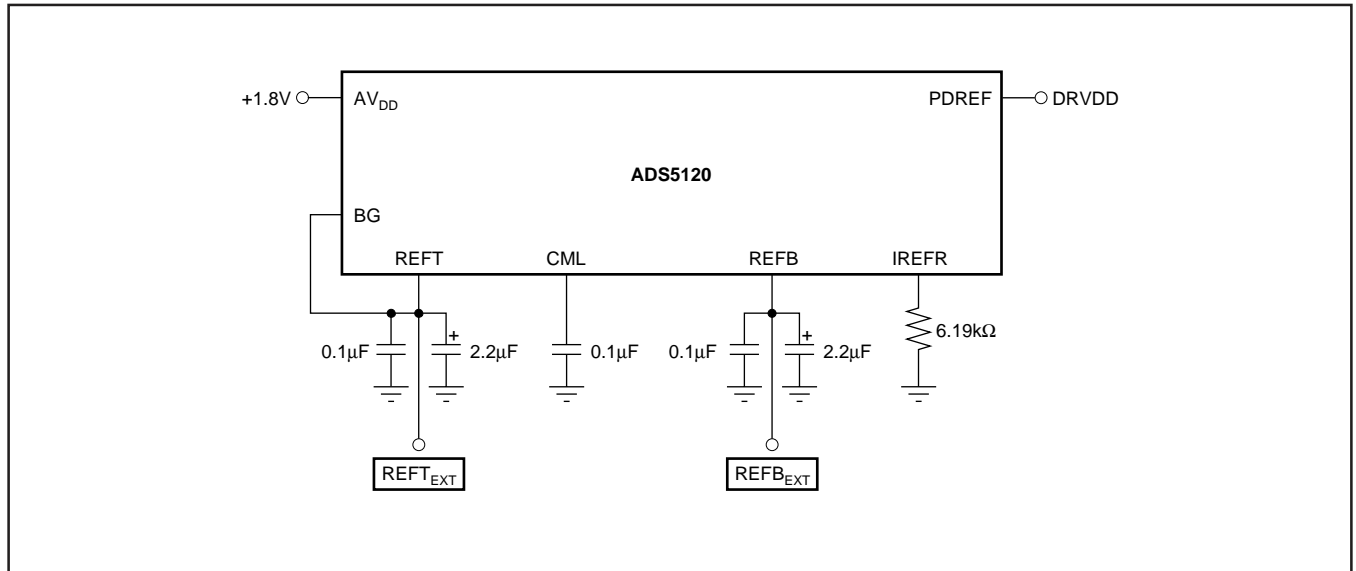


FIGURE 6. External Reference; Recommended Configuration and Bypassing.

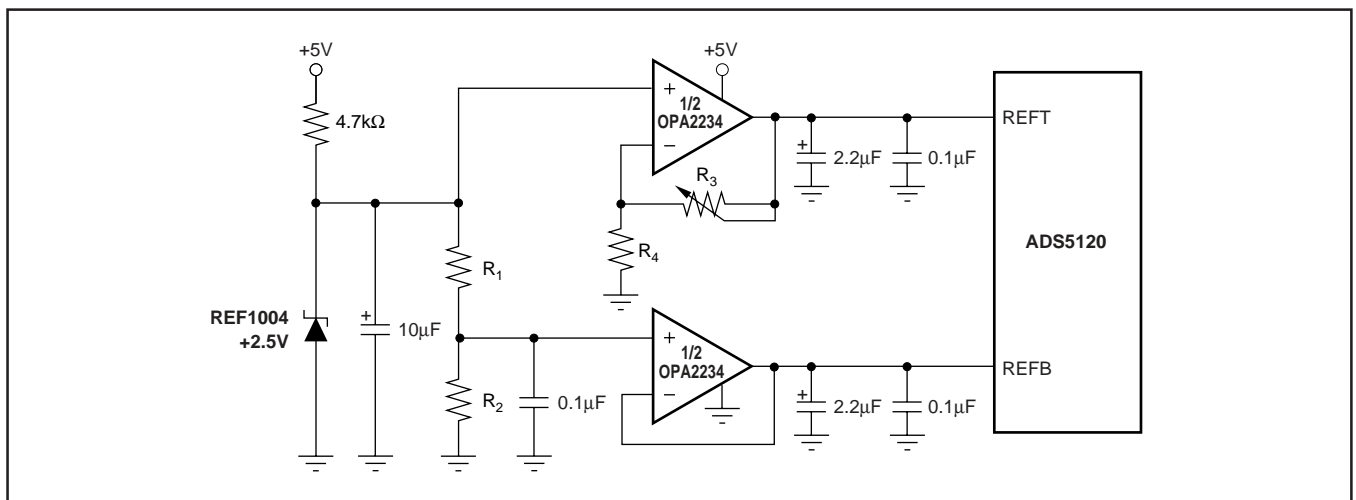


FIGURE 7. Circuit Example of an External Reference Circuit Using Single-Supply, Low-Power, Dual Op Amp (OPA2234).

## DIGITAL INPUTS AND OUTPUTS

### Clock Input

The clock input is designed to operate with +1.8V or +3.3V CMOS logic levels. The clock circuitry is internally connected to the  $DRV_{DD}$  supply. Therefore, the input HIGH and LOW levels will vary depending on the applied  $DRV_{DD}$  supply; see *DC Characteristics* tables. Since both edges of the clock are used in this pipeline ADC, the ideal clock should be a square-wave logic signal with a 50% duty-cycle.

Since this condition cannot always easily be met, the ADS5120 features an internal clock conditioning circuitry that can be activated through the duty-cycle adjust pin (DCASEL).

The DCASEL pin is a logic input, with its logic levels related to the  $DV_{DD}$  supply (+1.8V only):

- DCASEL = LOW (GND); in this mode the clock conditioning circuitry is disabled. Use this setting if the applied clock signal is a square-wave clock with a duty cycle of 50%; or if the duty cycle stays within a range of 48% to 52%.
- DCASEL = HIGH ( $DV_{DD}$ ); in this mode the clock conditioning circuitry is enabled. Use this setting if the applied external clock signal is a square-wave clock that does not meet the criteria listed above, but has a duty cycle in the range of 30% to 70%.

### MINIMUM SAMPLING RATE

The pipeline architecture of the ADS5120 uses a switched capacitor technique for the internal track-and-hold stages. With each clock cycle, charges representing the captured signal level are moved within the ADC pipeline core. The high sampling rate necessitates the use of very small capacitor values. In order to hold the droop errors low, the capacitors require a minimum refresh rate. To maintain full accuracy of the acquired sample charge, the sampling clock of the ADS5120 should not be lower than the specified minimum of 1MSPS.

### DATA OUTPUT FORMAT

The output data format of the ADS5120 is a positive Straight Offset Binary (SOB) code. Tables I and II show output coding of a single-ended and differential signal. For all data output channels, the MSBs are located at the D9x pins.

SINGLE-ENDED INPUT (AIN- = CML)	STRAIGHT OFFSET BINARY (SOB)
+FS - 1LSB (AIN+ = CML + FSR/2)	11 1111 1111
+1/2 FS	11 0000 0000
Bipolar Zero (AIN+ = CML)	10 0000 0000
-1/2 FS	01 0000 0000
-FS (AIN+ = CML - FSR/2)	00 0000 0000

TABLE I. Coding Table for Single-Ended Input Configuration with Input AIN- Tied to the Common-Mode Voltage (CML).

DIFFERENTIAL INPUT	STRAIGHT OFFSET BINARY (SOB)
+FS - 1LSB (AIN+ = REFT, AIN- = REFB)	11 1111 1111
+1/2 FS	11 0000 0000
Bipolar Zero (AIN+ = AIN- = CML)	10 0000 0000
-1/2 FS	01 0000 0000
-FS (AIN+ = REFB, AIN- = REFT)	00 0000 0000

TABLE II. Coding Table for Differential Input Configuration and  $1V_{PP}$  Full-Scale Range.

### DIGITAL OUTPUT LOADING

Minimizing the capacitive loading on the digital outputs is very important in achieving the best performance. The total load capacitance is typically made up of two sources: the next stage input capacitance and the parasitic/printed circuit board (PCB) capacitance. It is recommended to keep the total capacitive loading on the data lines as low as possible ( $\leq 15pF$ ). Higher capacitive loading will cause larger dynamic currents as the digital outputs are changing states. High current surges may cause feedback into the analog portion of the ADS5120 and affect the performance. If necessary, external buffers or latches close to the converter output pins may be used to minimize the capacitive loading. A suggested device is the SN74AVC16827 (20-bit buffer/driver), a member of the Advanced Very Low Voltage CMOS logic family (AVC). Using such a logic device can also provide the added benefit of isolating the ADS5120 from any digital noise activities on the bus coupling back high-frequency noise. Some applications may also benefit from the use of series resistors ( $\leq 100\Omega$ ) in the data lines. This will provide a current limit and reduce any existing over- or undershoot.

### OUTPUT ENABLE

The ADS5120 provides one output enable pin ( $\overline{OE}$ ) that controls the digital outputs of all channels simultaneously. A LOW (L = 0) level on the  $\overline{OE}$  pin will have all channels active and the converter in normal operation. Taking the  $\overline{OE}$  pin HIGH (H = 1) will disable or tri-state the outputs of all channels. Note that the  $\overline{OE}$  pin has no internal pull-up resistor and therefore requires a defined potential to be applied. The timing relations between  $\overline{OE}$  and the output bus enable/disable times are shown in the Timing Diagram.

### POWER-UP SEQUENCE

Ideally, the three main power supplies for the ADS5120 should be applied and ramped up simultaneously. If this cannot be ensured, the following power-up sequence is recommended:

- $AV_{DD}$  (+1.8 typ)
- $DV_{DD}$  (+1.8 typ)
- $DRV_{DD}$  (+3.3 typ)

The clock signal should also be applied with proper logic levels during power-up of the ADS5120. Deviating from this power-up sequence may cause the device to enter a mode such that the digital outputs do not approach the full specified output levels.

## POWER-DOWN (STANDBY)

The ADS5120 is equipped with a power-down function for each of the eight channels. Labeled as  $\overline{\text{STBY}}$  pins, the normal operational mode is when this pin is connected to logic high ( $H = 1$ ). The selected ADC channel will be in a power-down mode if the corresponding  $\overline{\text{STBY}}$  pin is connected to logic LOW ( $L = 0$ ). The logic levels for the  $\overline{\text{STBY}}$  pins are dependent on the  $\text{DRV}_{\text{DD}}$  supply. The power-down function controls internal biasing nodes, and as a consequence, any data present in the pipeline of the converter will become invalid. This is independent of whether the clock remains applied during power-down, or not. Following a power-up, new, valid data will become available after a minimum of seven clock cycles. As a note, the operation of the  $\overline{\text{STBY}}$  pins is not intended for the use of dynamically multiplexing between the eight channels of the ADS5120.

## DIGITAL OUTPUT DRIVER SUPPLY, $\text{DRV}_{\text{DD}}$

The ADS5120 uses a dedicated supply connection for the output logic drivers,  $\text{DRV}_{\text{DD}}$ , along with its digital driver ground connections, labeled  $\text{DRGND}$ .

Setting the voltage at  $\text{DRV}_{\text{DD}}$  to either +3.3V or +1.8V the output logic levels are set accordingly, allowing the ADS5120 to directly interface to a selected logic family. The output stages are designed to supply sufficient current to drive a variety of logic families. However, it is recommended to use the ADS5120 with a +1.8V driver supply. This will lower the power dissipation in the output stages due to the lower output swing and reduce current glitches on the supply lines, which otherwise may affect the AC performance of the converter. In some applications it might be advantageous to decouple the  $\text{DRV}_{\text{DD}}$  supply with additional capacitors or a pi-filter.

## GROUNDING AND DECOUPLING

Proper grounding and bypassing, short lead length, and the use of ground planes are particularly important for high-frequency designs. Multilayer PCBs are recommended for

best performance since they offer distinct advantages like minimizing ground impedance, separation of signal layers by ground layers, etc. The ADS5120 should be treated as an analog component. Whenever possible, the supply pins should be powered by the analog supply. This will ensure the most consistent results, since digital supply lines often carry high levels of noise which otherwise would be coupled into the converter and degrade the achievable performance. The ground pins should directly connect to an analog ground plane covering the PCB area under the converter. While designing the layout it is important to keep the analog signal traces separated from any digital line to prevent noise coupling onto the analog signal path. Due to its high sampling rate, the ADS5120 generates high-frequency current transients and noise (clock feedthrough) that are fed back into the supply and reference lines. This requires that all supply and reference pins are sufficiently bypassed. In most cases 0.1 $\mu\text{F}$  ceramic chip capacitors at each pin are adequate to keep the impedance low over a wide frequency range. Their effectiveness largely depends on the proximity to the individual supply pin. Therefore, they should be located as close to the supply pins as possible. In addition, a larger bipolar capacitor (1 $\mu\text{F}$  to 22 $\mu\text{F}$ ) should be placed on the PCB in proximity of the converter circuit.

## LAYOUT OF THE PCB WITH A MICROSTAR BGA PACKAGE

The ADS5120 is housed in a polyimide film-based chip-scale package (CSP). Like most CSPs, solder alloy balls are used as the interconnect between the package substrate and the PCB on which the package is soldered. For detailed information regarding these packages, please refer to literature number SSYZ015B, MicroStar BGA Packaging Reference Guide, which addresses the specific considerations required when integrating a MicroStar BGA package into the PCB design. This document can be found at:

<http://www-s.ti.com/sc/psheets/ssyz015b/ssyz015b.pdf>

# TERMINOLOGY

## ANALOG BANDWIDTH

The analog input frequency at which the spectral power of the fundamental frequency (as determined by the FFT analysis) is reduced by 3dB.

## APERTURE DELAY

The delay between the 50% point of the rising edge of the clock and the instant at which the analog input is sampled.

## APERTURE UNCERTAINTY (JITTER)

The sample-to-sample variation in aperture delay.

## EFFECTIVE NUMBER OF BITS (ENOB)

The ENOB is calculated from the measured SINAD based on the equation:

$$\text{ENOB} = \left( \frac{\text{SINAD} - 1.76\text{dB}}{6.02} \right)$$

## GAIN ERROR

Gain Error is the deviation of the actual difference between first and last code transitions and the ideal difference between first and last code transitions.

## GAIN MATCHING

Variation in Gain Error between adjacent channels.

## HARMONIC DISTORTION, SECOND

The ratio of the rms signal amplitude to the rms value of the 2nd-harmonic component, reported in dBc.

## HARMONIC DISTORTION, THIRD

The ratio of the rms signal amplitude to the rms value of the 3rd-harmonic component, reported in dBc.

## INTERMODULATION DISTORTION (IMD)

The 2-tone IMD is the ratio expressed in decibels of either input tone to the worst 3rd-order (or higher) Intermodulation products. The individual input tone levels are at -6.5dB full-scale, and their envelope is at -0.5dB full-scale.

## OFFSET ERROR (ZERO-SCALE ERROR)

The first transition should occur for an analog value 1/2 LSB above negative full-scale. Offset error is defined as the deviation of the actual transition from that point.

## OFFSET MATCHING

The change in offset error between adjacent channels.

## POWER-SUPPLY REJECTION RATIO (PSRR)

The ratio of a change in input offset voltage to a change in power-supply voltage.

## SIGNAL-TO-NOISE AND DISTORTION (SINAD)

The ratio of the rms signal amplitude (set 0.5dB below full-scale) to the rms value of the sum all other spectral components, including harmonics but excluding DC.

## SIGNAL-TO-NOISE RATIO (WITHOUT HARMONICS)

The ratio of the rms signal amplitude (set 0.5dB below full-scale) to the rms value of the sum of all other spectral components, excluding the first five harmonics and DC.

## SPURIOUS-FREE DYNAMIC RANGE (SFDR)

The ratio of the rms signal amplitude to the rms value of the peak spurious spectral component. The peak spurious component may or may not be a harmonic. May be reported in dBc (i.e., degrades as signal level is lowered), or dBFS (always related back to converter full-scale).



## Revision History

DATE	REVISION	PAGE	SECTION	DESCRIPTION
11/05	E	2 17	Package/Ordering Table Application Information	Include the new package designator ZHK for green/Pb-free package. Added Revision History Table
7/05	D	6	Using External References	Correct Figure 6: Added $DRV_{DD}$ to PDREF
6/04	C	2	Abs Max Table	Changed incorrect spec. Was: Clock Input CLK to DGND: $-0.3V$ to $AV_{DD} + 0.3V$ , Changed to: Clock Input CLK to DGND: $-0.3V$ to $DRV_{DD} + 0.3V$
		3	DC Characteristics	Added CLK to Digital Inputs list
		10	Driving Analog Inputs	Added definition of full-scale input range and clarified differential input configuration requirements.
		14	Power-Up Sequence	Added Power-Up Sequence section
		15	PCB Layout	"Polymide" corrected to "polyimide"
11/02	B	1	Front Page	Added Portable Ultrasound and Portable Instrumentation to Applications Removed Available Options table Moved diagram to page 5 and replaced with new figure
		5	Pin Descriptions Table	$AV_{DD}$ row, added F2; NC row, added ES; $DV_{DD}$ row, deleted U3; IREFR row, changes $6.19\Omega$ to $6.19k\Omega$
		6	Data Output Pins Table	D5C row, changed R19 to T19
		7	Typical Characteristics	Replaced 2nd- and 3rd-Harmonic vs Input Frequency curve
		11	Figure 3	Resistor $R_L$ was changed to $R_2$
6/02	A	1	Front Page	Removed ESD-DCM statement from the front of the data sheet.
		2	Abs Max Table	Removed ESD Com row.
		3	DC Characteristics	Add/clarify information for Standby Power
		5	Pin Descriptions Table	DNC row, changed L6 to W5 and M1 to U6. NC row, changed U6, W5 to L6, M1
		8-9	Typical Characteristics	Title changes
		10	Figure 1	Added $V_{BIAS}$
		12	Application Information	Second paragraph text: Changed +2 to +1

NOTE: Page numbers for previous revisions may differ from page numbers in the current version.

**PACKAGING INFORMATION**

Orderable Device	Status (1)	Package Type	Package Drawing	Pins	Package Qty	Eco Plan (2)	Lead/Ball Finish (6)	MSL Peak Temp (3)	Op Temp (°C)	Device Marking (4/5)	Samples
ADS5120CGHK	ACTIVE	BGA MICROSTAR	GHK	257	90	TBD	SNPB	Level-3-220C-168 HR	0 to 70	ADS5120CGHK	<b>Samples</b>

(1) The marketing status values are defined as follows:

**ACTIVE:** Product device recommended for new designs.

**LIFEBUY:** TI has announced that the device will be discontinued, and a lifetime-buy period is in effect.

**NRND:** Not recommended for new designs. Device is in production to support existing customers, but TI does not recommend using this part in a new design.

**PREVIEW:** Device has been announced but is not in production. Samples may or may not be available.

**OBSELETE:** TI has discontinued the production of the device.

(2) **RoHS:** TI defines "RoHS" to mean semiconductor products that are compliant with the current EU RoHS requirements for all 10 RoHS substances, including the requirement that RoHS substance do not exceed 0.1% by weight in homogeneous materials. Where designed to be soldered at high temperatures, "RoHS" products are suitable for use in specified lead-free processes. TI may reference these types of products as "Pb-Free".

**RoHS Exempt:** TI defines "RoHS Exempt" to mean products that contain lead but are compliant with EU RoHS pursuant to a specific EU RoHS exemption.

**Green:** TI defines "Green" to mean the content of Chlorine (Cl) and Bromine (Br) based flame retardants meet JS709B low halogen requirements of <=1000ppm threshold. Antimony trioxide based flame retardants must also meet the <=1000ppm threshold requirement.

(3) MSL, Peak Temp. - The Moisture Sensitivity Level rating according to the JEDEC industry standard classifications, and peak solder temperature.

(4) There may be additional marking, which relates to the logo, the lot trace code information, or the environmental category on the device.

(5) Multiple Device Markings will be inside parentheses. Only one Device Marking contained in parentheses and separated by a "~" will appear on a device. If a line is indented then it is a continuation of the previous line and the two combined represent the entire Device Marking for that device.

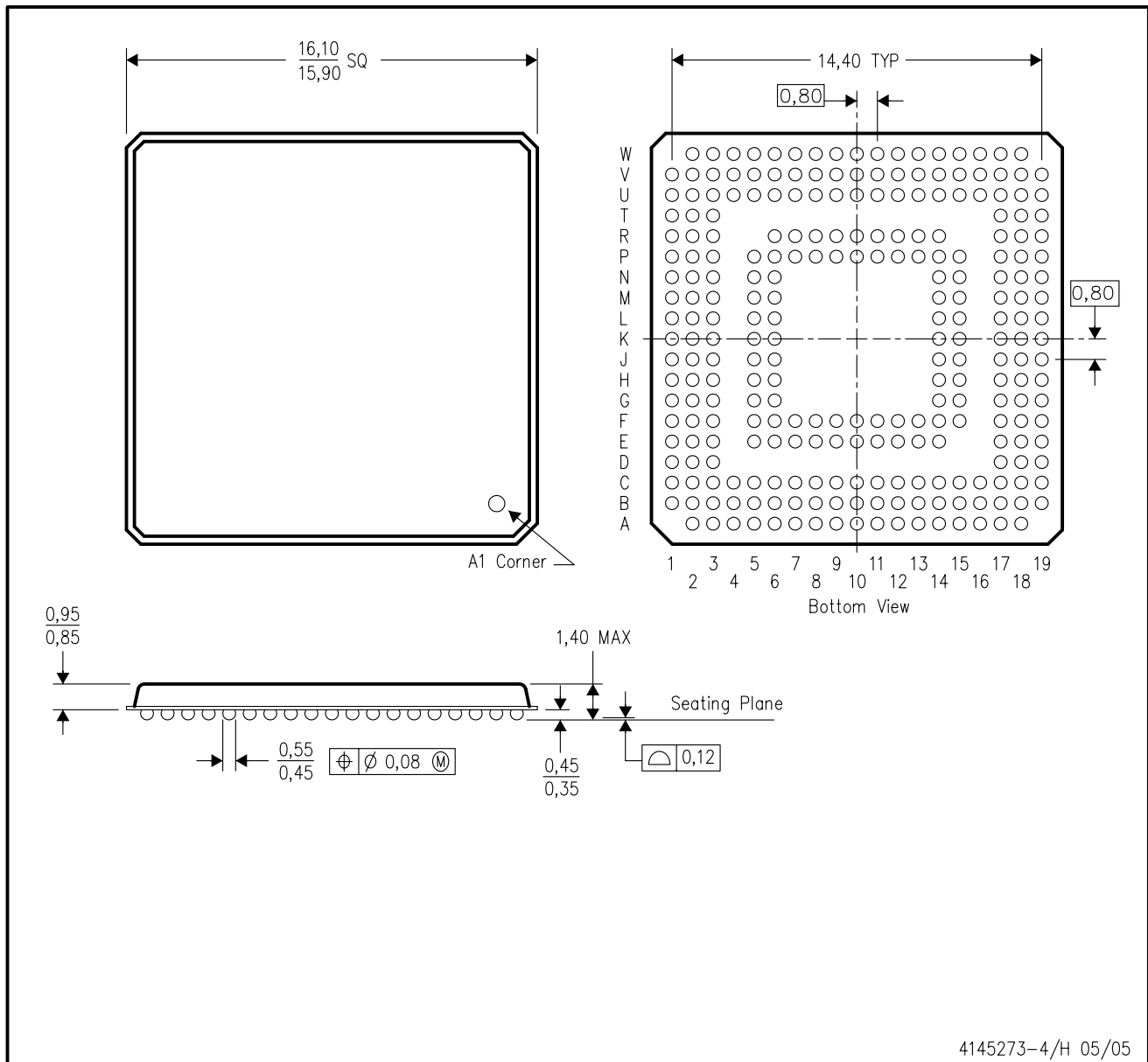
(6) Lead/Ball Finish - Orderable Devices may have multiple material finish options. Finish options are separated by a vertical ruled line. Lead/Ball Finish values may wrap to two lines if the finish value exceeds the maximum column width.

**Important Information and Disclaimer:**The information provided on this page represents TI's knowledge and belief as of the date that it is provided. TI bases its knowledge and belief on information provided by third parties, and makes no representation or warranty as to the accuracy of such information. Efforts are underway to better integrate information from third parties. TI has taken and continues to take reasonable steps to provide representative and accurate information but may not have conducted destructive testing or chemical analysis on incoming materials and chemicals. TI and TI suppliers consider certain information to be proprietary, and thus CAS numbers and other limited information may not be available for release.

In no event shall TI's liability arising out of such information exceed the total purchase price of the TI part(s) at issue in this document sold by TI to Customer on an annual basis.

GHK (S-PBGA-N257)

PLASTIC BALL GRID ARRAY



4145273-4/H 05/05

- NOTES:
- A. All linear dimensions are in millimeters.
  - B. This drawing is subject to change without notice.

## IMPORTANT NOTICE AND DISCLAIMER

TI PROVIDES TECHNICAL AND RELIABILITY DATA (INCLUDING DATASHEETS), DESIGN RESOURCES (INCLUDING REFERENCE DESIGNS), APPLICATION OR OTHER DESIGN ADVICE, WEB TOOLS, SAFETY INFORMATION, AND OTHER RESOURCES "AS IS" AND WITH ALL FAULTS, AND DISCLAIMS ALL WARRANTIES, EXPRESS AND IMPLIED, INCLUDING WITHOUT LIMITATION ANY IMPLIED WARRANTIES OF MERCHANTABILITY, FITNESS FOR A PARTICULAR PURPOSE OR NON-INFRINGEMENT OF THIRD PARTY INTELLECTUAL PROPERTY RIGHTS.

These resources are intended for skilled developers designing with TI products. You are solely responsible for (1) selecting the appropriate TI products for your application, (2) designing, validating and testing your application, and (3) ensuring your application meets applicable standards, and any other safety, security, or other requirements. These resources are subject to change without notice. TI grants you permission to use these resources only for development of an application that uses the TI products described in the resource. Other reproduction and display of these resources is prohibited. No license is granted to any other TI intellectual property right or to any third party intellectual property right. TI disclaims responsibility for, and you will fully indemnify TI and its representatives against, any claims, damages, costs, losses, and liabilities arising out of your use of these resources.

TI's products are provided subject to TI's Terms of Sale ([www.ti.com/legal/termsofsale.html](http://www.ti.com/legal/termsofsale.html)) or other applicable terms available either on [ti.com](http://ti.com) or provided in conjunction with such TI products. TI's provision of these resources does not expand or otherwise alter TI's applicable warranties or warranty disclaimers for TI products.

Mailing Address: Texas Instruments, Post Office Box 655303, Dallas, Texas 75265  
Copyright © 2019, Texas Instruments Incorporated