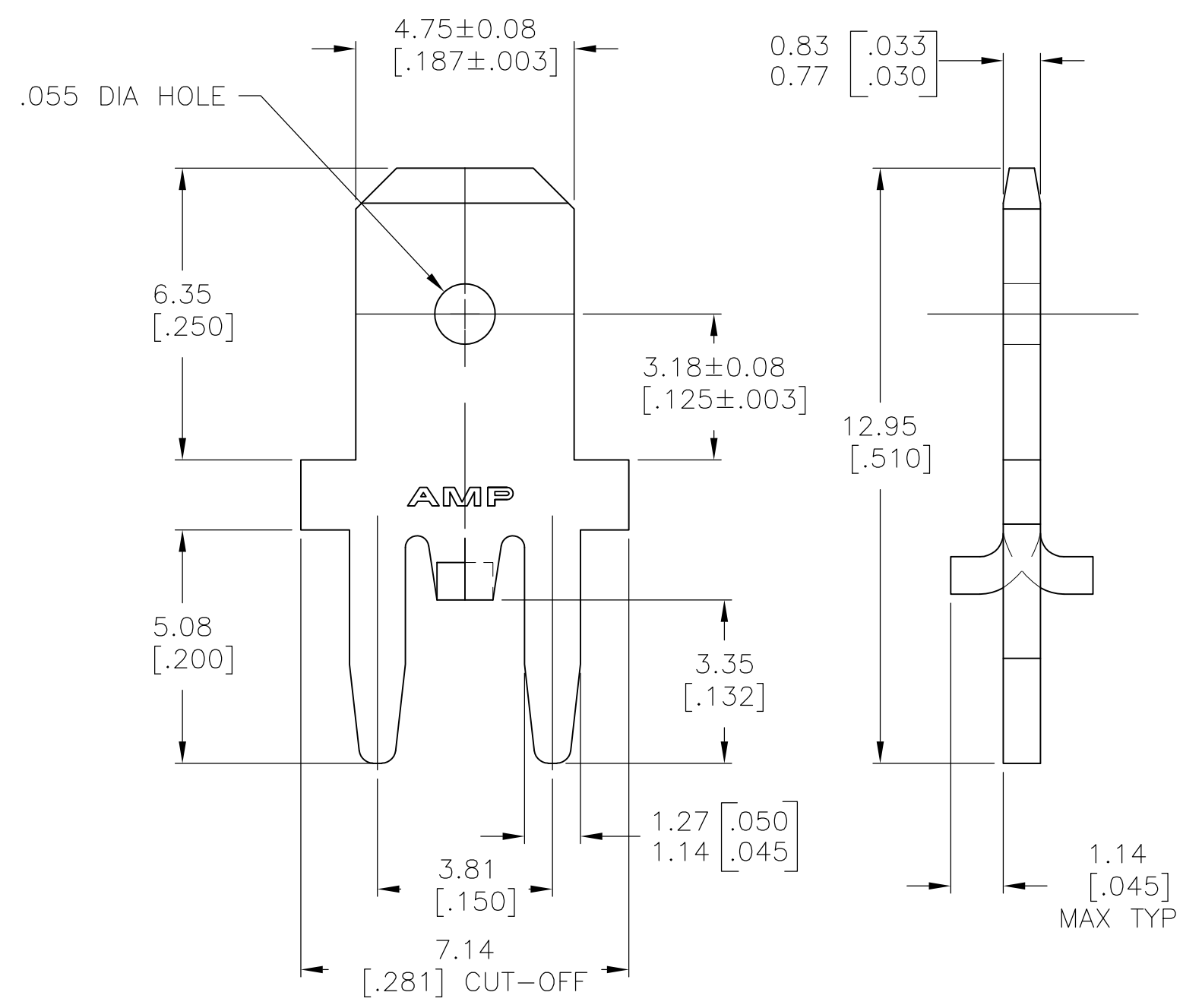
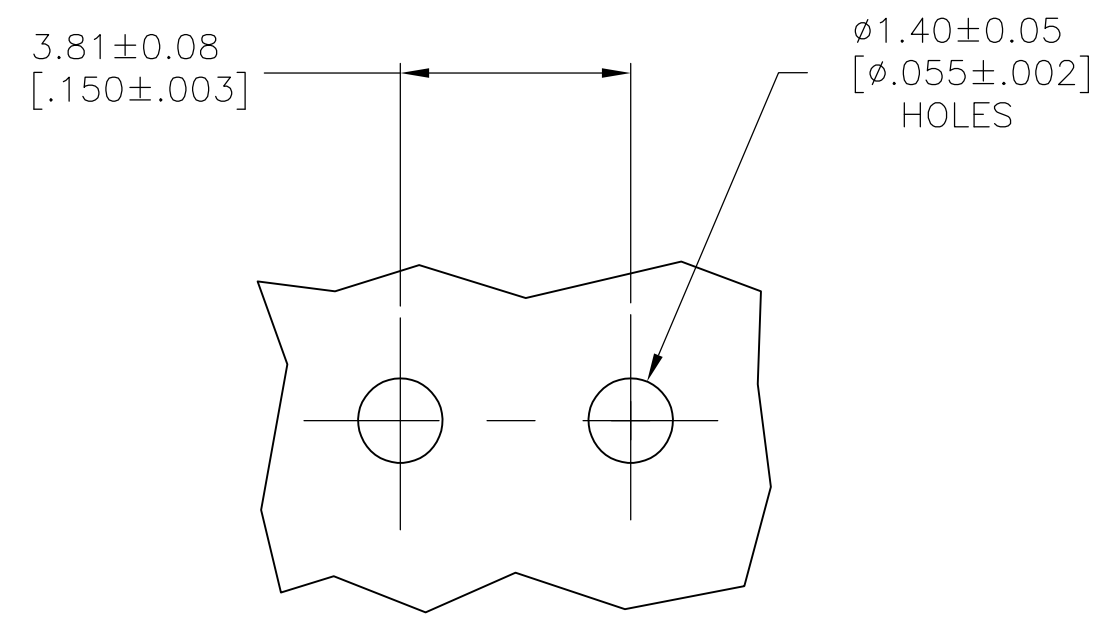


THIS DRAWING IS UNPUBLISHED. RELEASED FOR PUBLICATION
 © COPYRIGHT - By - ALL RIGHTS RESERVED.

REVISIONS				
P	LTR	DESCRIPTION	DATE	APVD
	B2	REVISED PER ECO-16-013857	22SEP2016	RS DH



- 1 CONTINUOUS STRIP ON REELS, PITCH IS 7.14±0.076 [.281±.003].
- 2 TIN PLATE 0.00381 [.000150] MIN OVER 0.00254 [.000100] MIN THK COPPER.



P.C. BOARD HOLE PATTERN

LOOSE	1742646-2
STRIP	1742646-1
FORM	PART NO.

THIS DRAWING IS A CONTROLLED DOCUMENT.		DWN JR RUTH 05OCT07	TE Connectivity	
DIMENSIONS: mm [INCHES] TOLERANCES UNLESS OTHERWISE SPECIFIED: 0 PLC ± - 1 PLC ± - 2 PLC ± 0.25 [.010] 3 PLC ± - 4 PLC ± - ANGLES ± -		CHK JOHN KNOLL 05OCT07		
		APVD JOHN KNOLL 05OCT07	TAB, FASTON, P.C.BOARD 4.75 [.187]	
MATERIAL BRASS		FINISH	APPLICATION SPEC 114-2115	SIZE A3 CAGE CODE 00779 DRAWING NO C-1742646
			WEIGHT 0.000000	RESTRICTED TO -
			CUSTOMER DRAWING	SCALE 8:1 SHEET 1 OF 1 REV B2