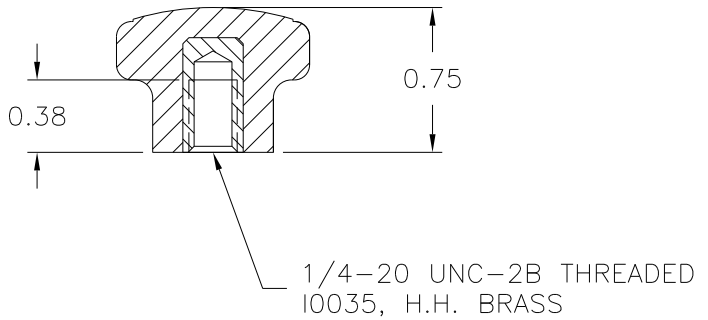
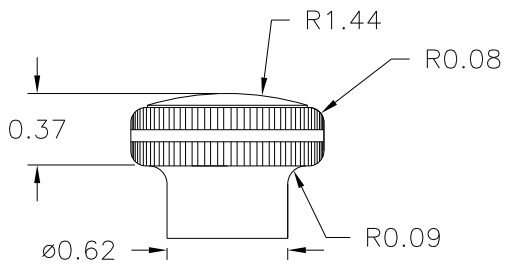
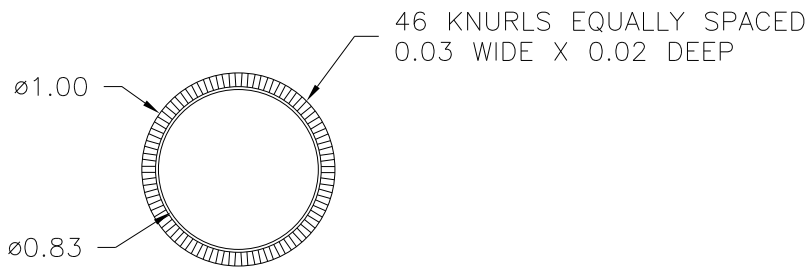


PART NAME: KNOB      SCALE: 1:1      DATE: 6/25/75      DR. BY NH

THIS DRAWING IS THE PROPERTY OF DAVIES MOLDING COMPANY, IS SUBMITTED SOLELY AS A DESIGN OR ENGINEERING PROJECT. WE ACCEPT NO RESPONSIBILITY WHATSOEVER FOR THE PRACTICAL APPLICATION OF THE PIECES MADE TO THIS DESIGN.



P/N	3065-E
M <sup>NO.</sup>	1475
CAVITY	3065
PLUNGER	3065
SHIMS	# 1
SPACER	3065
PIN	3065
INSERT	10035
(A) LEG SHIM	.020
PLUNGER KEY	1/4x1/4x7/16
CAVITY KEY	1/4x1/4x1/2



MATERIAL: G.P. PHENOLIC (B11)  
COLOR: BLACK

TOLERANCES: UNLESS OTHERWISE SPECIFIED	DO NOT SCALE DRAWING			
DECIMALS: X.XXX ± .005 X.XX ± .015	MM: X.XX ± 0.15MM X.X ± 0.4MM	-	RE-DID REDRAW	TL 12/1/99
FRACTIONS ± 1/64	ANG. ± 1°	A	CAD REDRAW ADDED LEG SHIM	HD 8/1/95
CHANGES				