

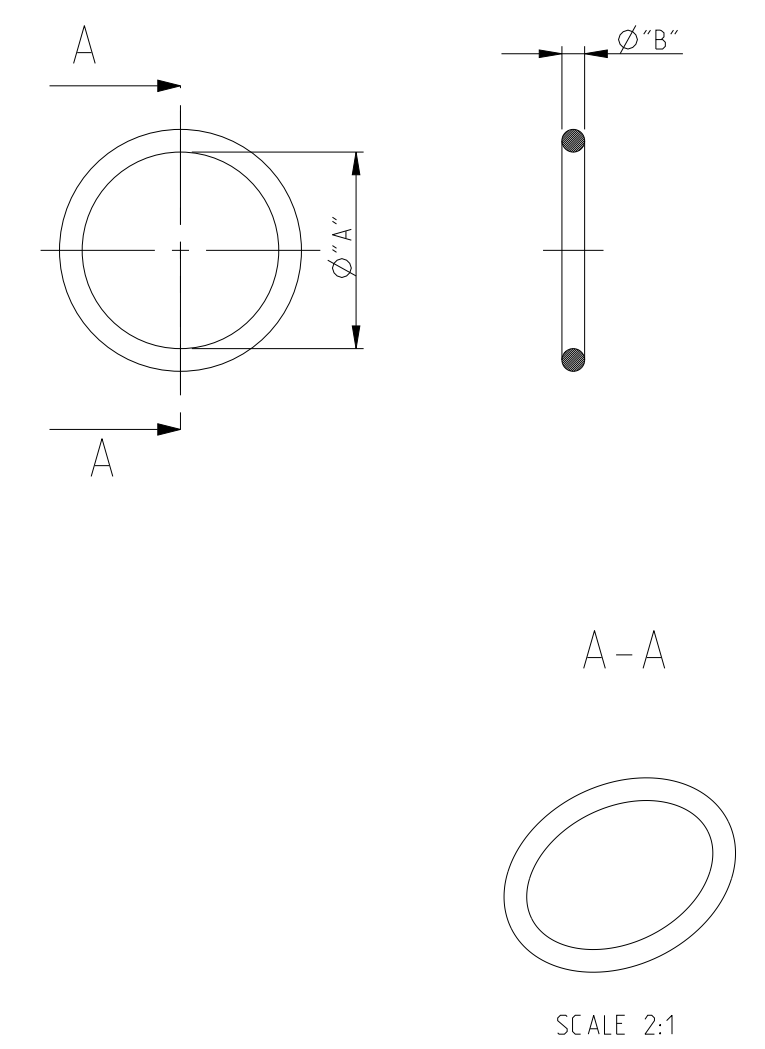
THIS DRAWING IS UNPUBLISHED. RELEASED FOR PUBLICATION
 © COPYRIGHT 1997 ALL RIGHTS RESERVED.

| LOC | DIST | REVISIONS | | | | | |
|-----|------|-----------|-----|---------------|-----------|-----|------|
| | | P | LTR | DESCRIPTION | DATE | DWN | APVD |
| A1 | - | G12 | | ECR-16-016780 | 15NOV2017 | GR | MKO |
| | | G13 | | ECR-17-014011 | 27MAR2018 | SG | MKO |
| | | G14 | | ECR-18-009334 | 21DEC2018 | SR | MKO |
| | | G15 | | ECR-21-123503 | 12MAR2022 | RK | JB |

NOTES

- PARTS SHALL BE FREE AND CLEAN OF SHARP EDGES AND ALL OTHER FOREIGN MATERIAL NO LOOSE BURRS PERMITTED.
- NBR, 70°±5° SHORE A, BLACK, ACC .TO DIN 3770
- FKM, 70°±5° SHORE A, TEMPERATURE RANGE -30 °C / +200 °C
- EPDM, 65°±5° SHORE A, BLACK, ELECTRICAL CONDUCTIVE, RESISTIVITY: 8.05 x 10³ OHMS PER CM
- PACKAGING PN 0-1, 1000 PIECES MAX. IN A BOX

| PART NO | A | B | NBR | FKM | EPDM COND | SERIES | NOTE |
|---------|-------|------|-----|-----|-----------|------------|---------------------|
| 9-9 | 28.0 | 2.5 | X | - | - | EMV-K3/4 | - |
| 9-4 | 3.5 | 1 | X | - | - | AIR | - |
| 9-3 | 4.5 | 1.5 | X | - | - | AIR | OBSOLETE |
| 9-2 | 47.7 | 3.5 | X | - | - | AM-3P | - |
| 9-1 | 11.0 | 1.0 | X | - | - | AM-1P | - |
| 8-2 | 54.0 | 3.0 | X | - | - | AM-3P | - |
| 8-1 | 50.0 | 3.0 | X | - | - | AS-1P | - |
| 7-6 | 168.0 | 3.0 | X | - | - | AM-4P | - |
| 7-2 | 50.0 | 2.0 | - | X | - | Pg42 | - |
| 7-1 | 50.0 | 2.0 | X | - | - | Pg42 | OBSOLETE |
| 6-6 | 135.0 | 3.0 | X | - | - | AM-4P | - |
| 6-2 | 44.0 | 2.0 | - | X | - | Pg36 | - |
| 6-1 | 44.0 | 2.0 | X | - | - | Pg36 | - |
| 5-6 | 5.0 | 1.0 | X | - | - | MDC | - |
| 5-3 | 7.0 | 3.0 | X | - | - | AG-M6 | - |
| 5-2 | 34.0 | 2.0 | - | X | - | Pg29 | COLOR GREY OBSOLETE |
| 5-1 | 34.0 | 2.0 | X | - | - | Pg29 | - |
| 4-6 | 12.5 | 2.5 | X | - | - | MDC | - |
| 4-4 | 98.0 | 3.0 | - | - | X | HP/EMV 24 | OBSOLETE |
| 4-3 | 98.0 | 3.0 | X | - | - | ABB-S0 | - |
| 4-2 | 26.0 | 2.0 | - | X | - | Pg21 | - |
| 4-1 | 26.0 | 2.0 | X | - | - | Pg21 | - |
| 3-6 | 24.0 | 3.0 | X | - | - | MDC | - |
| 3-5 | 64.0 | 3.0 | X | - | - | AH-1P | - |
| 3-4 | 80.0 | 3.0 | - | - | X | HP/EMV 16 | OBSOLETE |
| 3-3 | 80.0 | 3.0 | X | - | - | AK-1P | - |
| 3-2 | 20.0 | 1.5 | - | X | - | Pg16 | COLOR GREY |
| 3-1 | 20.0 | 1.5 | X | - | - | Pg16 | - |
| 2-6 | 250.0 | 3.0 | X | - | - | MDC | - |
| 2-5 | 38.0 | 3.0 | X | - | - | AH 1P | OBSOLETE |
| 2-4 | 67.0 | 2.8 | - | - | X | HP/EMV10 | - |
| 2-3 | 67.0 | 2.8 | X | - | - | HP/EMV10 | - |
| 2-2 | 18.0 | 1.5 | - | X | - | Pg13.5 | - |
| 2-1 | 18.0 | 1.5 | X | - | - | Pg13.5 | OBSOLETE |
| 1-9 | 20.0 | 1.25 | - | X | - | HC 26 | BLACK |
| 1-8 | 20.0 | 1.0 | - | X | - | HC26 | BLACK OBSOLETE |
| 1-7 | 4.0 | 1.0 | - | X | - | ARRI | - |
| 1-6 | 330 | 5.0 | X | - | - | MDC | - |
| 1-5 | 19.0 | 1.8 | X | - | - | Pg-Stv | - |
| 1-4 | 59.0 | 3.0 | - | - | X | HP/EMV6 | OBSOLETE |
| 1-3 | 59.0 | 3.0 | X | - | - | HP/EMV6 | - |
| 1-2 | 16.0 | 1.5 | - | X | - | Pg11 | OBSOLETE |
| 1-1 | 16.0 | 1.5 | X | - | - | Pg11 | OBSOLETE |
| 1-0 | 23.0 | 1.0 | - | X | - | HC26 | COLOR BLUE OBSOLETE |
| 0-9 | 23.52 | 1.78 | - | X | - | HC25 | - |
| 0-8 | 26 | 1.5 | - | X | - | HC26 | COLOR BLUE OBSOLETE |
| 0-7 | 40 | 2.5 | X | - | - | HW G | - |
| 0-6 | 25.0 | 1.5 | X | - | - | ALM | COLOR BLACK |
| 0-5 | 17.5 | 1.5 | - | X | - | HC20 | COLOR BLUE |
| 0-4 | 17 | 1.0 | - | X | - | HC20 | COLOR BLUE |
| 0-3 | 21.2 | 2.65 | - | X | - | HF-1-EMV-K | - |
| 0-2 | 3.0 | 1.0 | X | - | - | HA-EMV-K | - |
| 0-1 | 13.0 | 1.5 | X | - | - | Pg 09 | - |



| | | | | |
|----------------------------------------|--|----------------------------------------|----------------------------|--------------------|
| THIS DRAWING IS A CONTROLLED DOCUMENT. | | DWN Rösigen 26.05.1999 | STE TE Connectivity | |
| | | CHK Schweiger 26.05.1999 | | |
| DIMENSIONS: mm | | TOLERANCES UNLESS OTHERWISE SPECIFIED: | | NAME 0-Ring |
| | | 0 PLC ± | APVD - | PRODUCT SPEC - |
| | | 1 PLC ± | APVD - | APPLICATION SPEC - |
| | | 2 PLC ± | APVD - | WEIGHT - |
| | | 3 PLC ± | APVD - | RESTRICTED TO |
| MATERIAL | | 4 PLC ± | SIZE A2 | CAGE CODE 00779 |
| | | ANGLES ± | DRAWING NO C-1106053 | SCALE 4:1 |
| | | FINISH | REV G15 | SHEET 1 OF 1 |
| | | | CUSTOMER DRAWING | |