

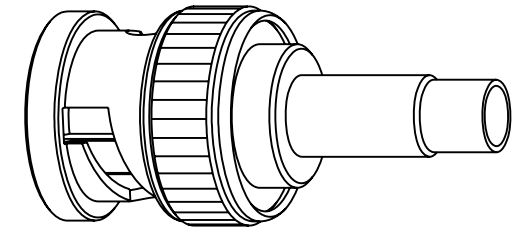
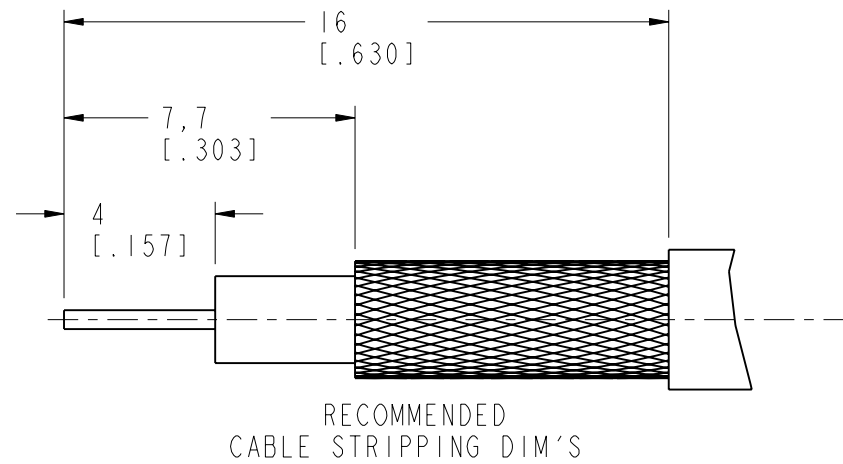
NOTES:

1. MATERIALS AND FINISHES:
 BODY - BRASS, NICKEL PLATING
 CONTACT PIN - BRASS, GOLD PLATING
 INSULATOR - DELRIN, NATURAL
2. ELECTRICAL:
 A. IMPEDANCE: 50 OHM
 B. FREQUENCY RANGE: 0-4 GHZ
 C. DIELECTRIC WITHSTANDING VOLTAGE: 1500 VRMS, MIN.
3. MECHANICAL:
 A. DURABILITY: 500 CYCLES MIN.
 B. TEMPERATURE RANGE: -40°C TO +85°C
4. CRIMPED FERRULE
 HEX CRIMP SIZE .187"
5. CRIMPED CONTACT PIN
 HEX CRIMP SIZE .068" OR TO SOLDER

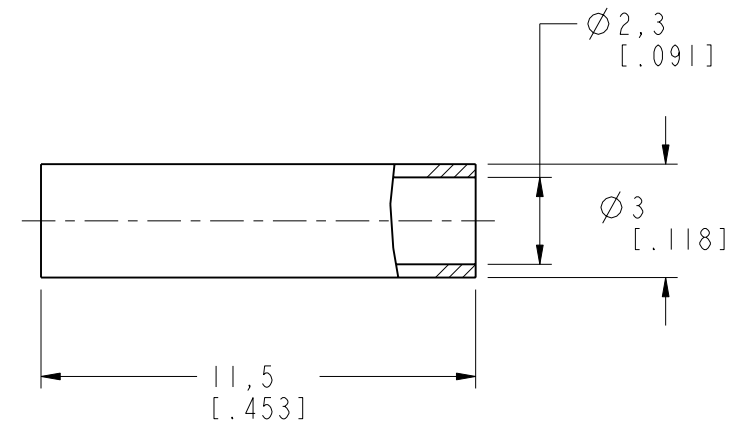
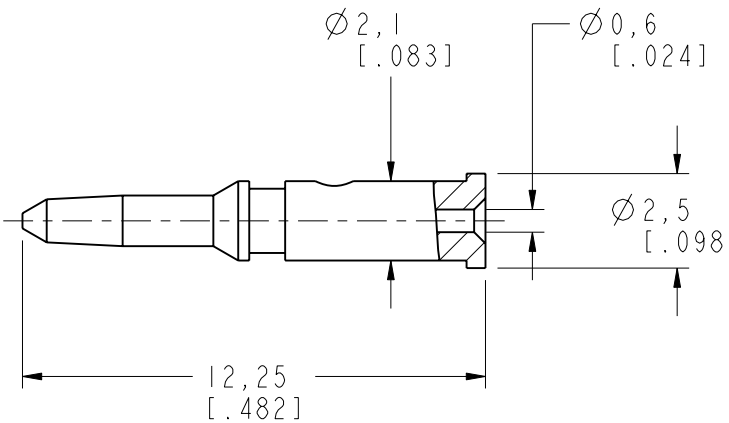
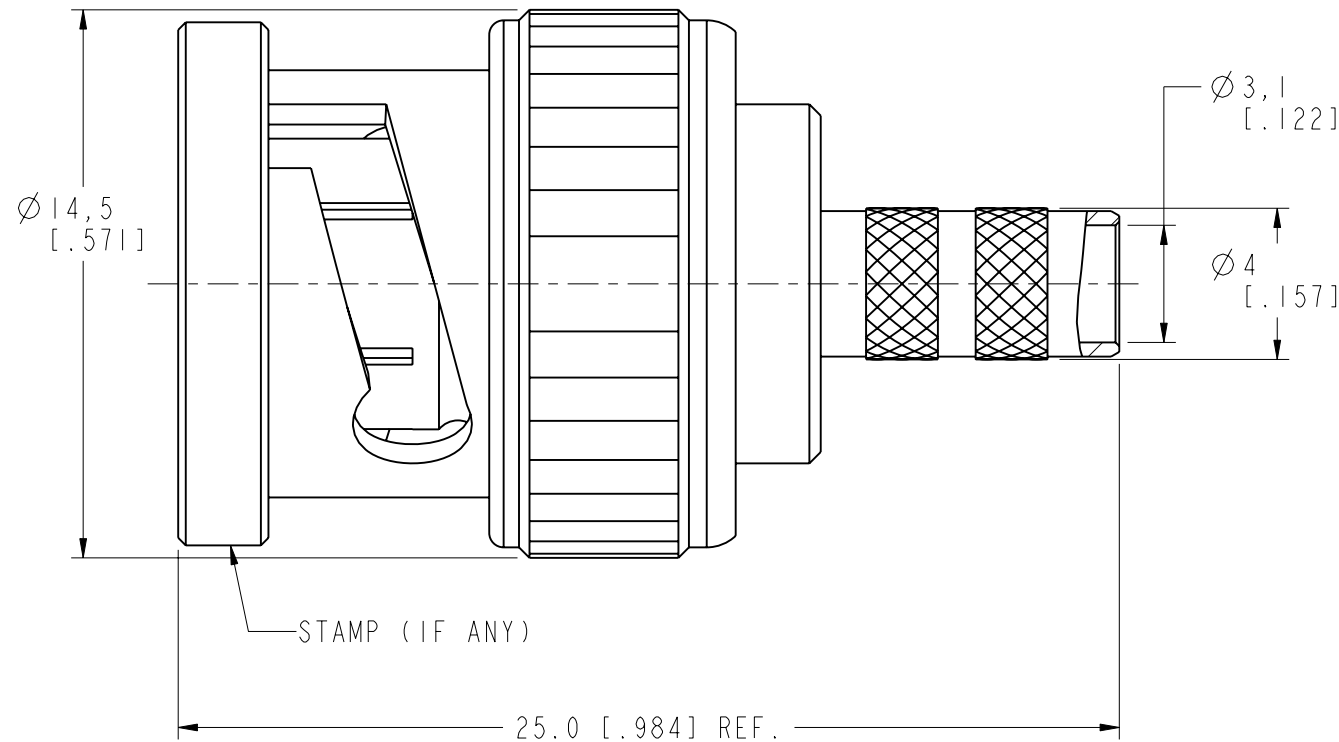
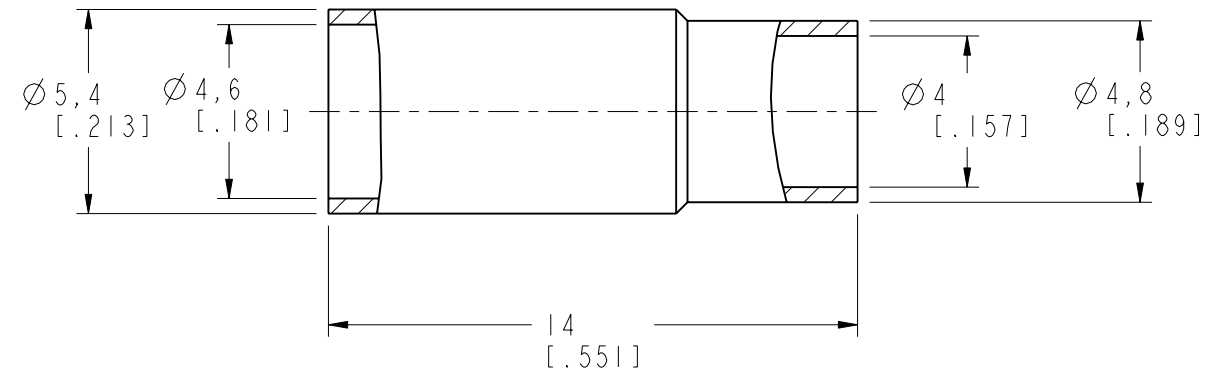
THIRD ANGLE PROJ.

REVISIONS

REV	DESCRIPTION	DATE	ECO	APPR
NC	INITIAL RELEASE	22-May-03	-----	GRS
A	ADD "50 OHM" TO DESCRIPTION	24-Oct-06	-----	GRS
B	UPDATE DRAWING FORMAT	02-Jul-14	-----	MZ



SCALE 2.000



CUSTOMER OUTLINE DRAWING

ALL OTHER SHEETS ARE FOR INTERNAL USE ONLY

UNLESS OTHERWISE SPECIFIED, DIMENSIONS ARE IN METRIC AND TOLERANCES ARE:
 <0.5mm ±0.05mm 0.5 - 6mm ±0.1mm 6 - 30mm ±0.2mm 30 - 120mm ±0.3mm ANGLES ±1°

NOTICE - These drawings, specifications, or other data (1) are, and remain the property of Amphenol corp. (2) must be returned upon request; and (3) are confidential and not to be disclosed to any person other than those to whom they are given by Amphenol Corp. the furnishing of these drawings, specifications, or other data by Amphenol Corp., or to any other person to anyone for any purpose is not to be regarded by implication or otherwise in any manner licensing, granting rights to permitting such holder or any other person to manufacture, use or sell any product, process or design, patented or otherwise, that may in any way be related to or disclosed by said drawings, specifications, or other data.

MATERIAL	
REFERENCE	CN-BM53-18-ND3G-50
CONFIGURATION LEVEL:	
FINISH	

DRAWN	M. ZHANG	DATE	02-Jul-14
ENGINEER	FEI SHEN	DATE	02-Jul-14
APPROVED	S. HSIEH	DATE	02-Jul-14
CAD FILE			

TITLE	
BNC CRIMP PLUG-50 OHM (MINI-MAX 500 CABLE)	
SCALE: 5.0:1.0	SHEET 3 OF 3
DWG SIZE B	REV B

Amphenol Connex	
DRAWING NO.	
ITEM NO.	
PART NO.	112537