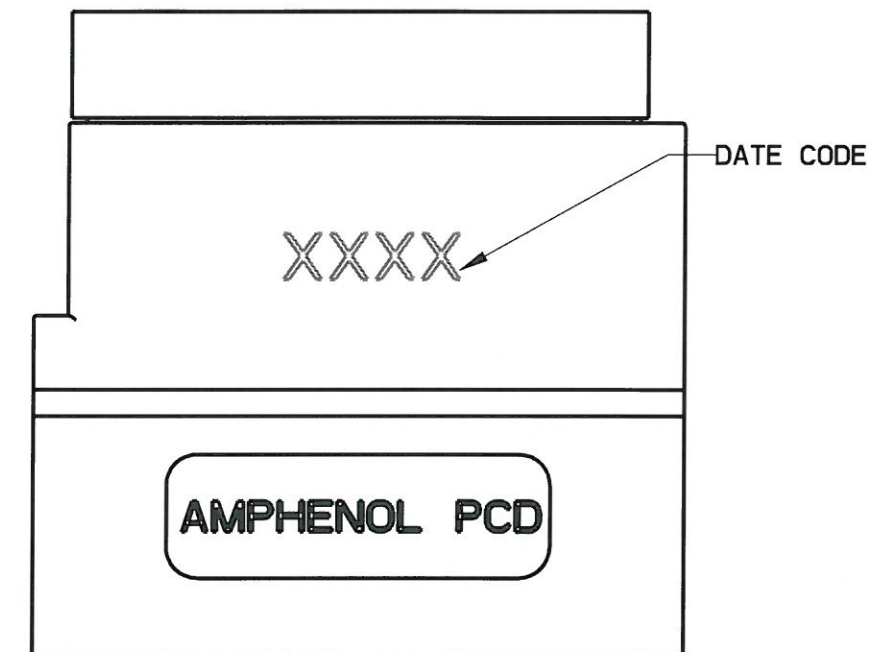
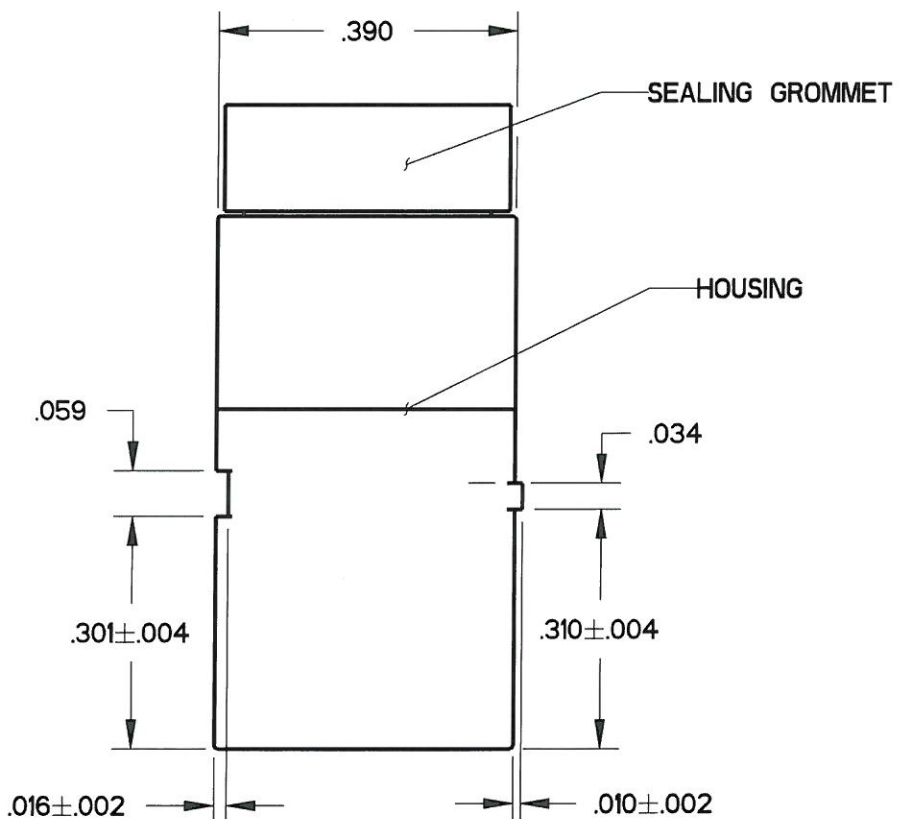
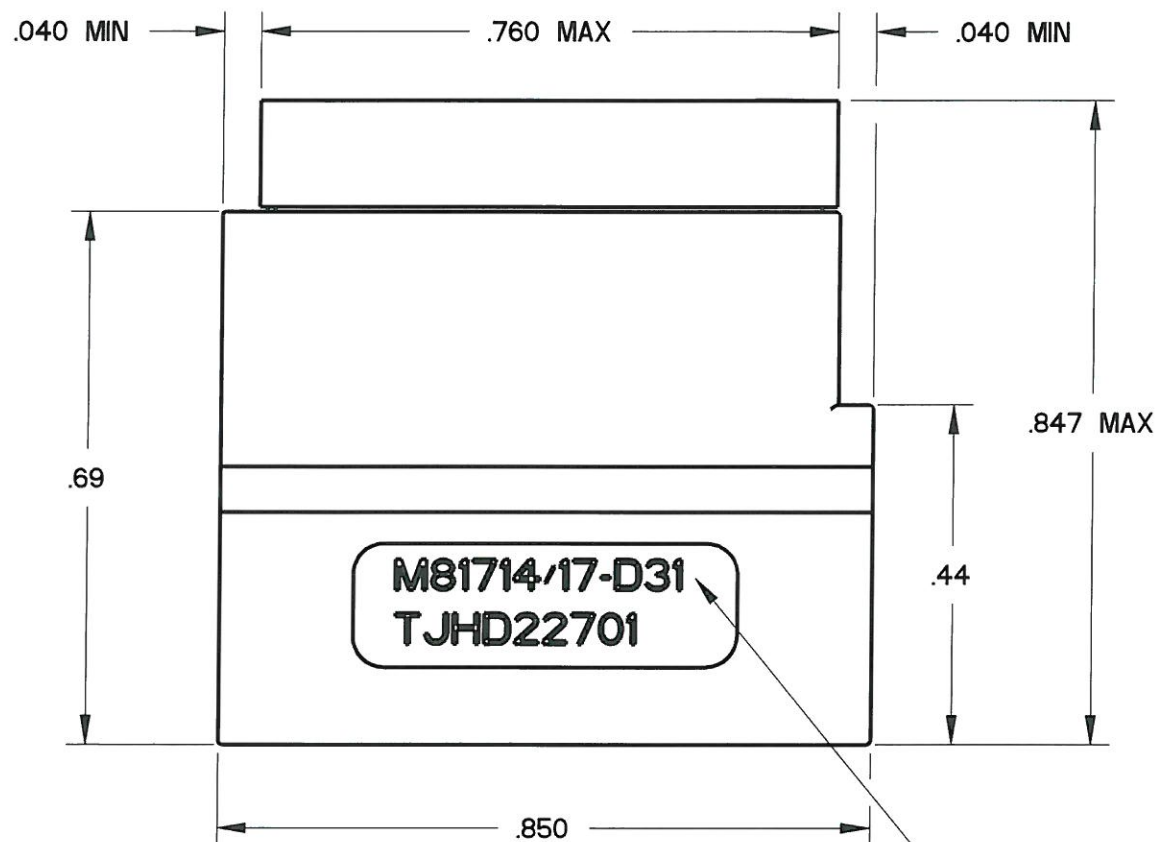
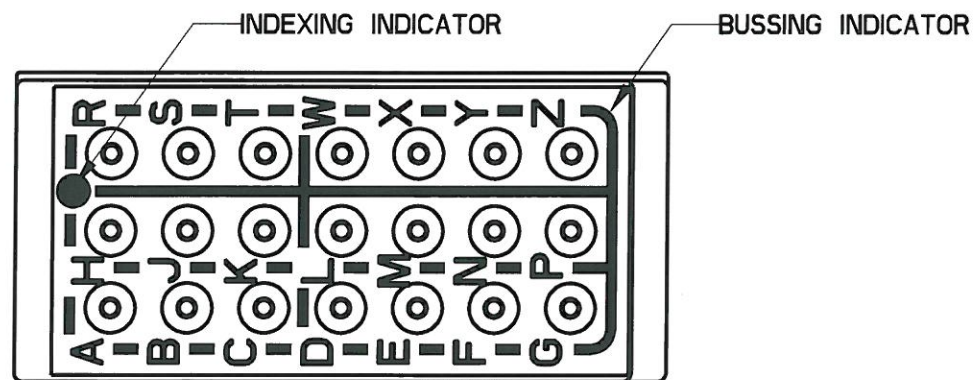


REV	ECN	APP'D
-	2939	JR 2/7/97
A	3043	AP 7/22/97
B	3338	JR 7/16/98
C	6200	JT 8/25/08
D	6349	<i>[Signature]</i> 9/27/10



IDENTIFICATION CHARACTERS
.06 HEIGHT

- NOTES:
1. MATERIAL:
HOUSING - THERMOPLASTIC, COLOR: BLACK.
GROMMET - SILICONE RUBBER, COLOR: BLUE
INTERNAL BUSSING - COPPER ALLOY
2. MODULE ACCEPTS M39029/1-507 PIN CONTACTS

PART NO.	INCLUDED W/ MODULE
TJHD22605	MODULE ONLY
TJHD22705	22 EACH M39029/1-507 PIN CONTACTS 2 EACH MS27488-22 SEALING PLUGS

DIMENSIONS		TOLERANCES	PROJECTION	Amphenol Pcd		TITLE			
ANSI Y14.5M		.XX ±0.01		SPECIFICATION DRAWING		MODULE, TERMINAL JUNCTION			
UNITS: INCHES		.XXX ±0.005		ENGR		SIZE 22, HI-DENSITY			
Pro/E FILE		ANGLES ±2.0°		A. PATRIE 03/08/06		D35 BUS ARRANGEMENT			
ORIGINAL	THIS DOCUMENT CONTAINS PROPRIETARY INFORMATION WHICH IS THE CONFIDENTIAL PROPERTY OF AMPHENOL PCD INC., BEVERLY, MA			CHKD	9/27/10		SIZE	DWG NO.	REV
				APPD	<i>[Signature]</i> 9/27/10		B	TJHD22605	D
CODE: 58982		SCALE: 4:1		SHEET 1 OF 1					

TJHD22605

TJHD22605