

4

3

2

1

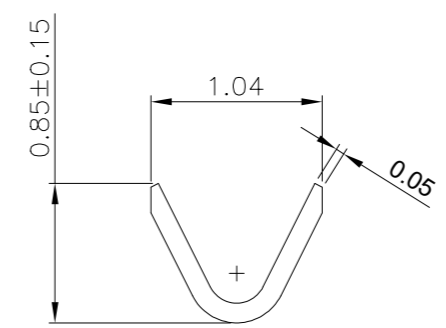
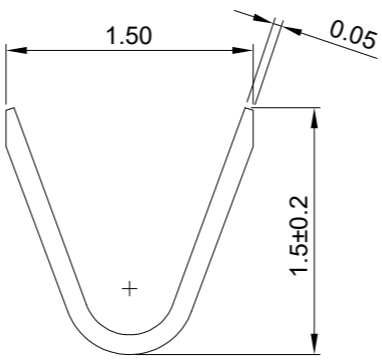
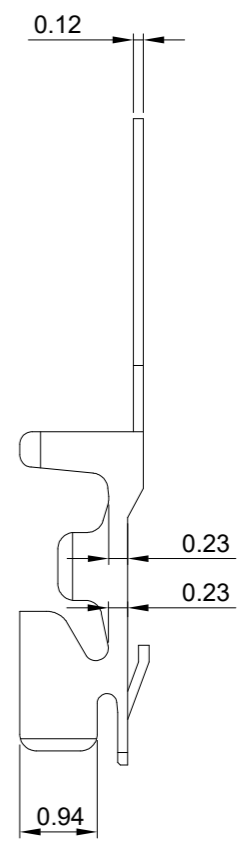
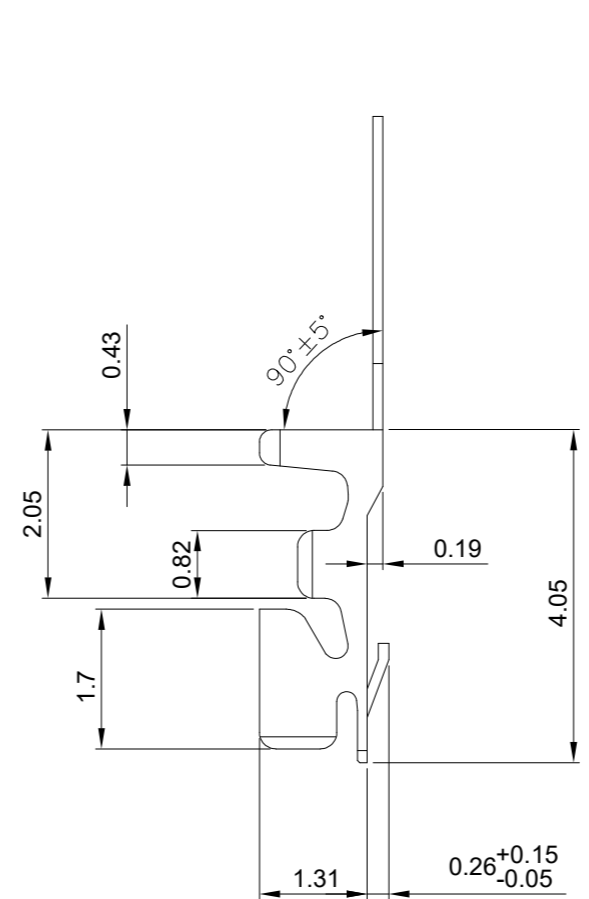
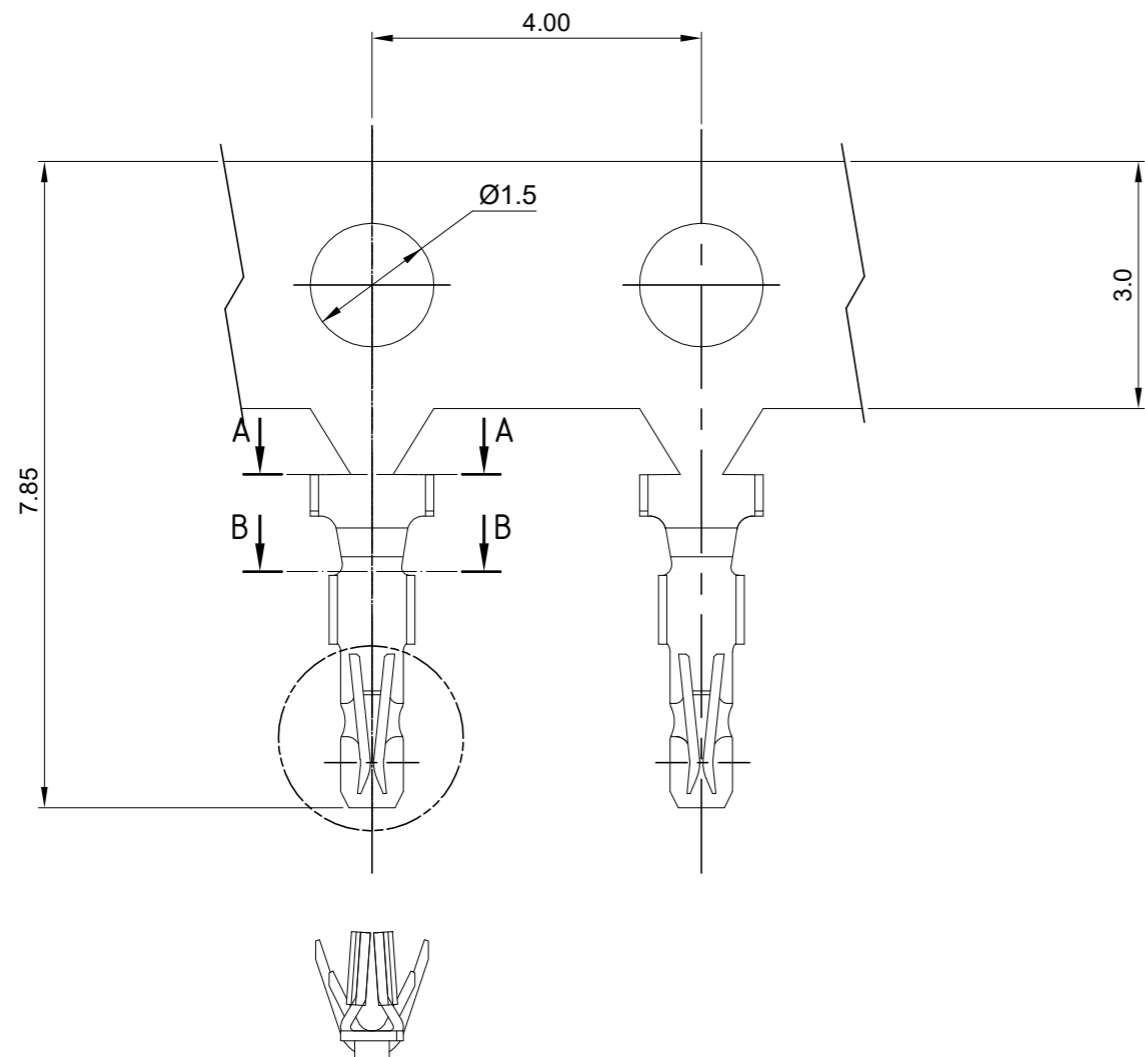
THIS DRAWING IS UNPUBLISHED. RELEASED FOR PUBLICATION AUG ,2006.

© COPYRIGHT 2009 BY TYCO ELECTRONICS CORPORATION. ALL RIGHTS RESERVED.

LOC DW DIST

REVISIONS

P	LTR	DESCRIPTION	DATE	DWN	APVD
	C1	ECR-19-000085	02SEP2019	T.Q	WH



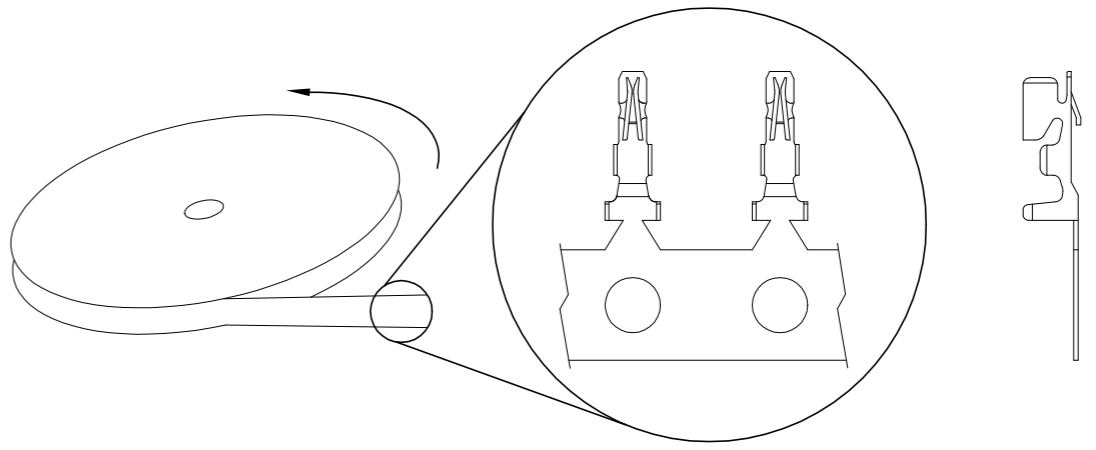
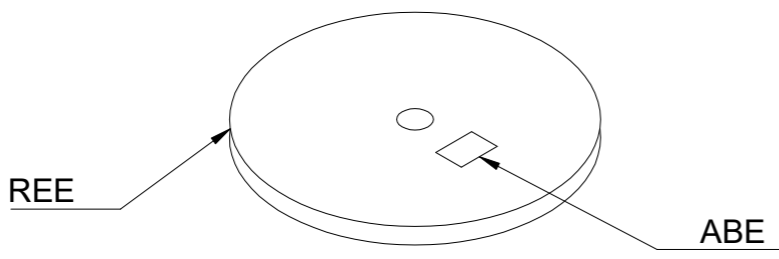
- NOTE:
- MATERIAL: PHOSPHOR BRONZE.
  - FINISH: 80~110μ" BRIGHT TIN PLATING OVER ALL; 15~40μ" NICKEL UNDER PLATING
  - NO TE LOGO AND DATE CODE ON THE PRODUCT.
  - APPLICABLE WIRE RANGE: AWG #28 THRU #32
  - PART NUMBER OF RECEPTACLE HOUSING: X-1470364-X & X-2041214-X.
  - PART NUMBER OF MATING PLUG:  
LOW HALOGEN TYPE: X-2041190-X, X-2041191-X, X-2041202-X  
HALOGEN TYPE: X-1734709-X, X-1734595-X.

1734597-1  
PART NUMBER

THIS DRAWING IS A CONTROLLED DOCUMENT.		DWN A. WU 26JUL2007	Tyco Electronics Corporation Tyco Electronics Tapei, Taiwan	
DIMENSIONS: MM		CHK S. HOU 26JUL2007	NAME	
TOLERANCES UNLESS OTHERWISE SPECIFIED:		APVD W.J. KE 26JUL2007	1.0 MM PITCH WIRE TO BOARD CONNECTOR, RECEPTACLE, SMT, TERMINAL	
0 PLC ± -		PRODUCT SPEC	RESTRICTED TO	
1 PLC ± 0.15		108-57264	SIZE A3	CAGE CODE 00779
2 PLC ± 0.1		APPLICATION SPEC	DRAWING NO C=1734597	REV C1
3 PLC ± -		WEIGHT SEE TABLE	SCALE -	SHEET 1 OF 2
4 PLC ± -		CUSTOMER DRAWING		
ANGLES ± 3'				
MATERIAL SEE NOTE	FINISH SEE NOTE			

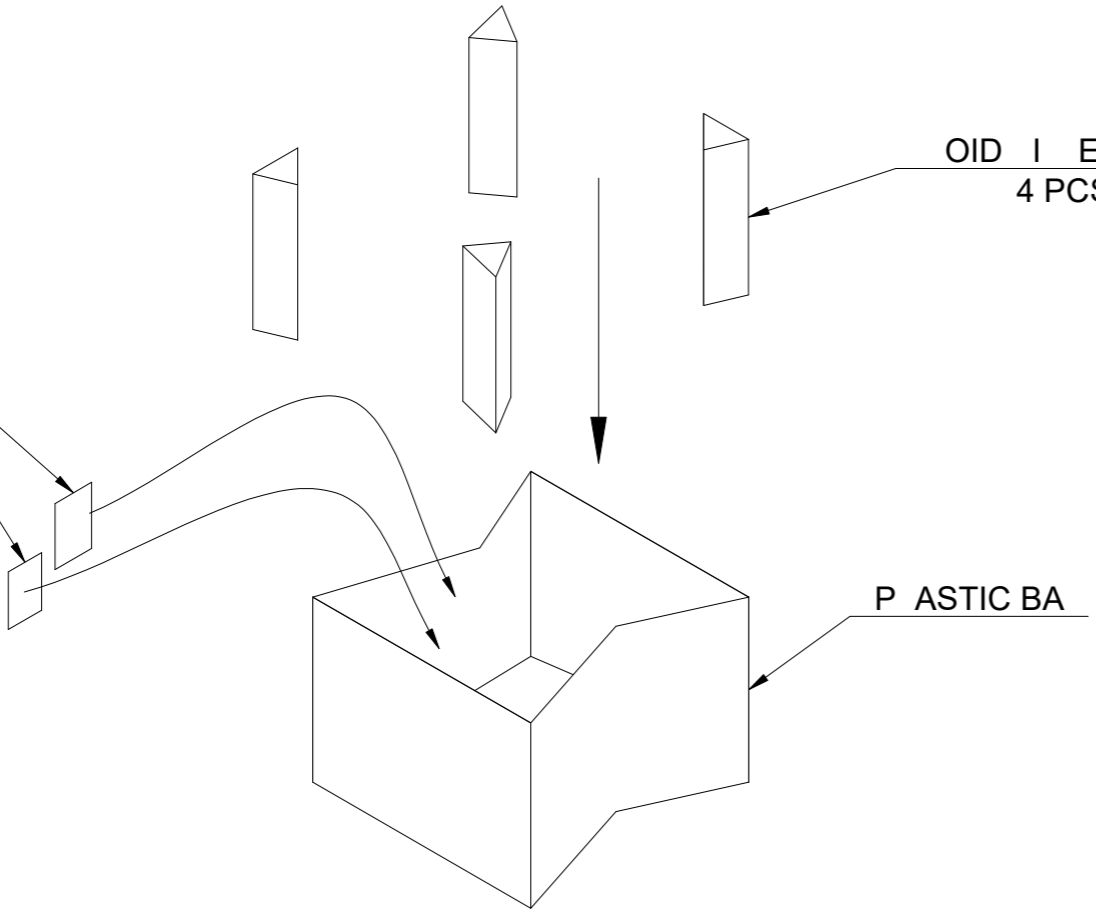
THIS DRAWING IS UNPUBLISHED. RELEASED FOR PUBLICATION AUG ,2006.  
 © COPYRIGHT 2009 BY TYCO ELECTRONICS CORPORATION. ALL RIGHTS RESERVED.

LOC	DIST	REVISIONS			
P	LTR	DESCRIPTION	DATE	DWN	APVD
DW		SEE SHEET 1.			



OID I ER  
4 PCS

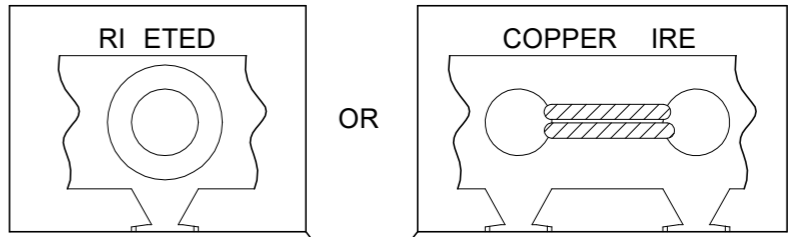
DESICCANT



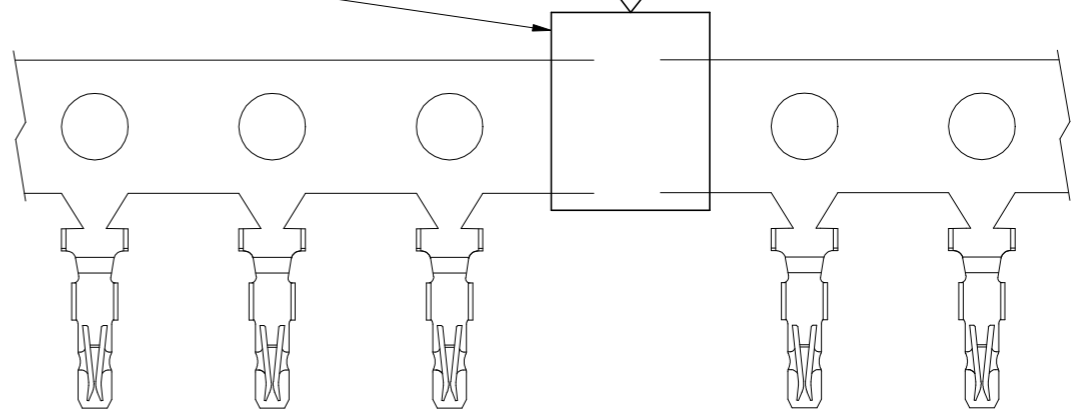
P ASTIC BA

CARTON

CONNECTIN MET OD CON I URATION



2 CONNECT POINTS MA . PER REE



472 472 175	7	15000	105000 PCS
CARTON DIMENSIONS	REE S CARTON	PCS REE	UANTIT

THIS DRAWING IS A CONTROLLED DOCUMENT.		DWN	Tyco Electronics Corporation Taipei, Taiwan	
DIMENSIONS: MM		CHK		
TOLERANCES UNLESS OTHERWISE SPECIFIED:		APVD	NAME 1.0 MM PITCH WIRE TO BOARD CONNECTOR, RECEPTACLE, SMT, TERMINAL	
0 PLC ± -		PRODUCT SPEC		
1 PLC ± -		APPLICATION SPEC	SIZE	RESTRICTED TO
2 PLC ± -		WEIGHT	A3	CAGE CODE 00779
3 PLC ± -		CUSTOMER DRAWING	DRAWING NO C=1734597	
4 PLC ± -		SCALE	SHEET 2 OF 2	
ANGLES ± -		SCALE	REV C1	
MATERIAL SEE NOTE				
FINISH SEE NOTE				