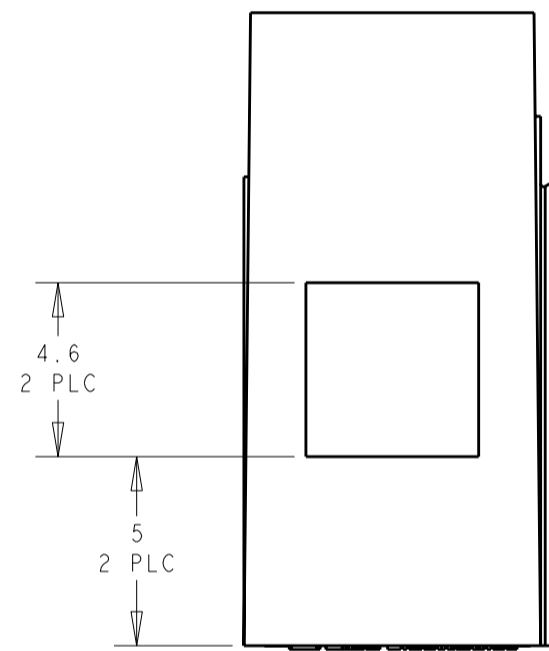
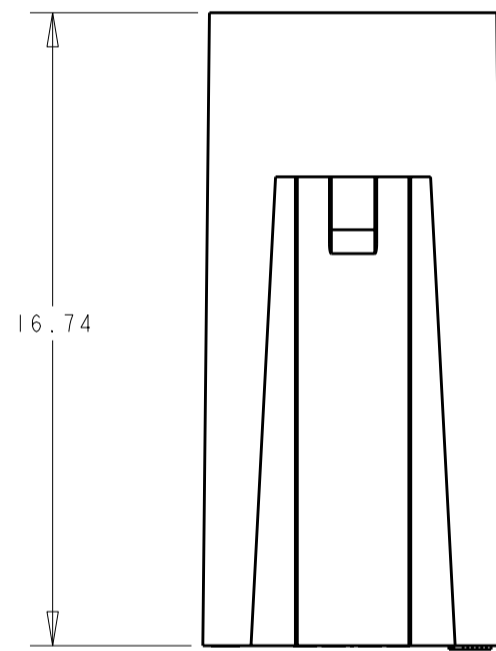
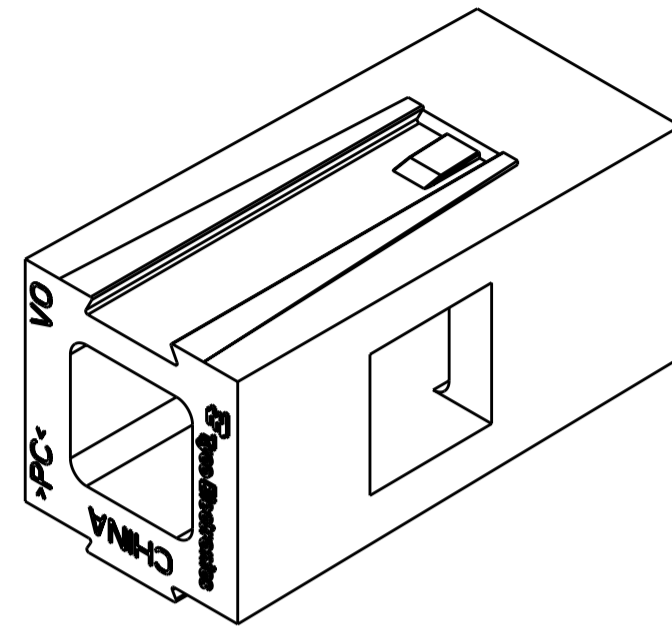
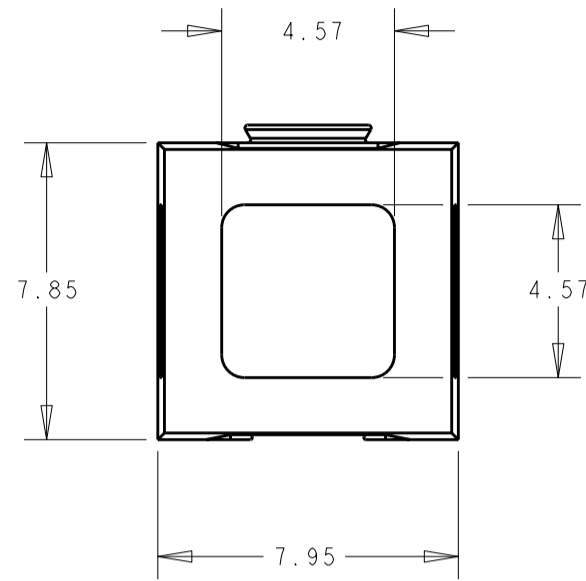
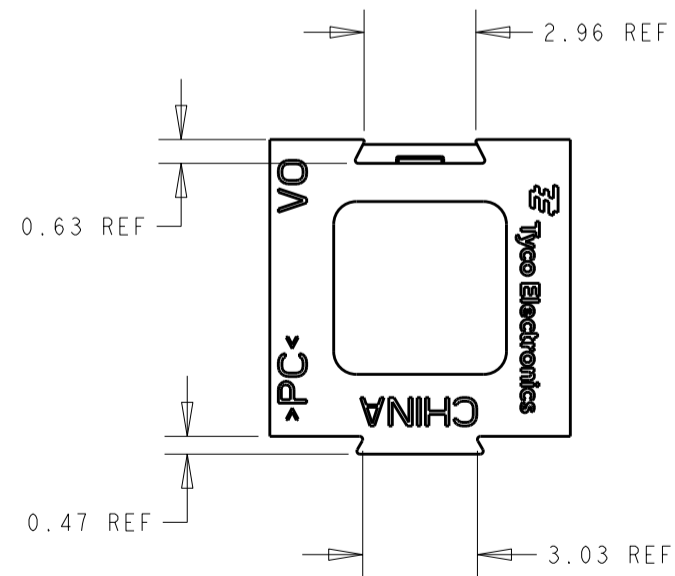


THIS DRAWING IS UNPUBLISHED. RELEASED FOR PUBLICATION 20
 © COPYRIGHT 20 BY TYCO ELECTRONICS CORPORATION. ALL RIGHTS RESERVED.

| LOC | DIST | REVISIONS | | | |
|-----|------|-------------|-----------------------|---------|-------|
| P | LTR | DESCRIPTION | DATE | DWN | APVD |
| FT | 0 | B | REV PER ECO 10-005750 | 17MAR10 | JR SM |
| | | | | | |
| | | | | | |



1. MATERIAL: POLYCARBONATE, UL 94V-0 RATED, COLOR: RED.
2. IT IS RECOMMENDED THAT POWER PRODUCT MOUNTING WINGS BE USED IN PAIRS.
3. POWER PRODUCT CONNECTORS AND HARDWARE NOT INCLUDED.



1445960-1
PART NUMBER

| | | | | |
|---|--|-----------------------------------|---|-------------------------|
| THIS DRAWING IS A CONTROLLED DOCUMENT FOR TYCO ELECTRONICS CORPORATION. IT IS SUBJECT TO CHANGE AND THE CONTROLLING ENGINEERING ORGANIZATION SHOULD BE CONTACTED FOR THE LATEST REVISION. | | DWN B. HAYMAKER 12NOV01 | Tyco Electronics Harrisburg, PA 17105-3608 | |
| DIMENSIONS: mm | | CHK K. KETELSLEGER 25JAN02 | NAME MOUNTING WING, 15/30/45A SINGLE POLE POWER PRODUCT | |
| TOLERANCES UNLESS OTHERWISE SPECIFIED: 0 PLC ±0.13 1 PLC ±0.13 2 PLC ±0.13 3 PLC ± 4 PLC ± ANGLES ±1 FINISH | | APVD K. KETELSLEGER 25JAN02 | PRODUCT SPEC - | RESTRICTED TO - |
| MATERIAL - | | APPLICATION SPEC - | WEIGHT - | SIZE A200779 |
| | | CUSTOMER DRAWING | SCALE 5:1 | DRAWING NO C-1445960 |
| | | | SHEET 1 | OF 1 |
| | | | REV B | |