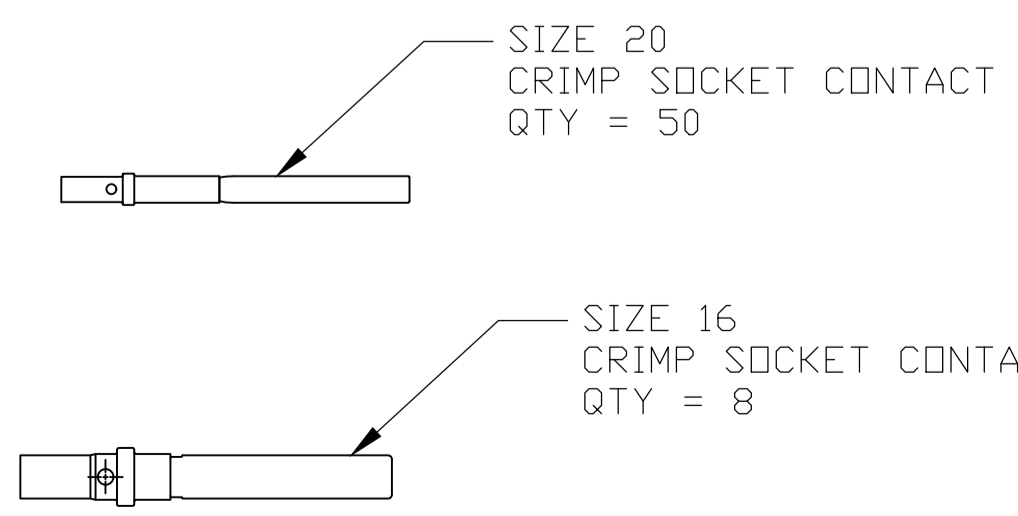
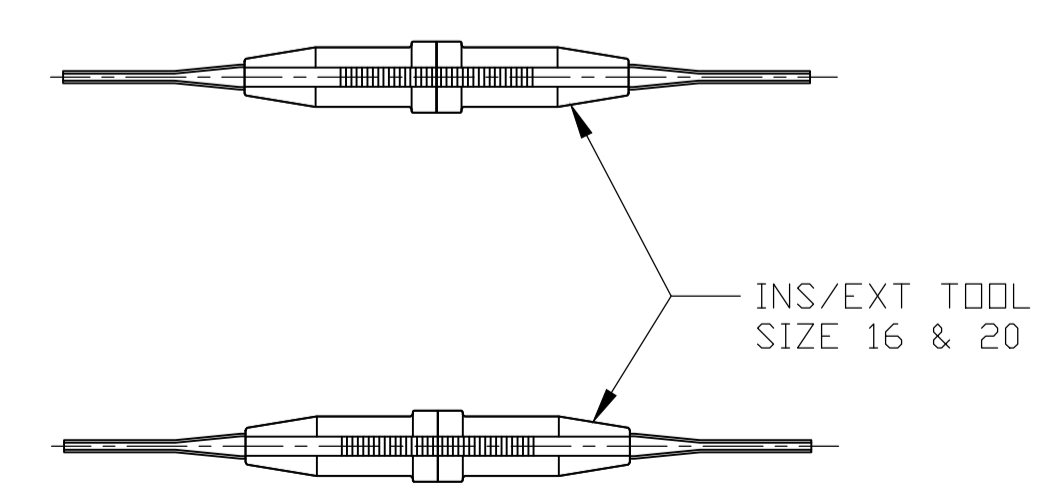
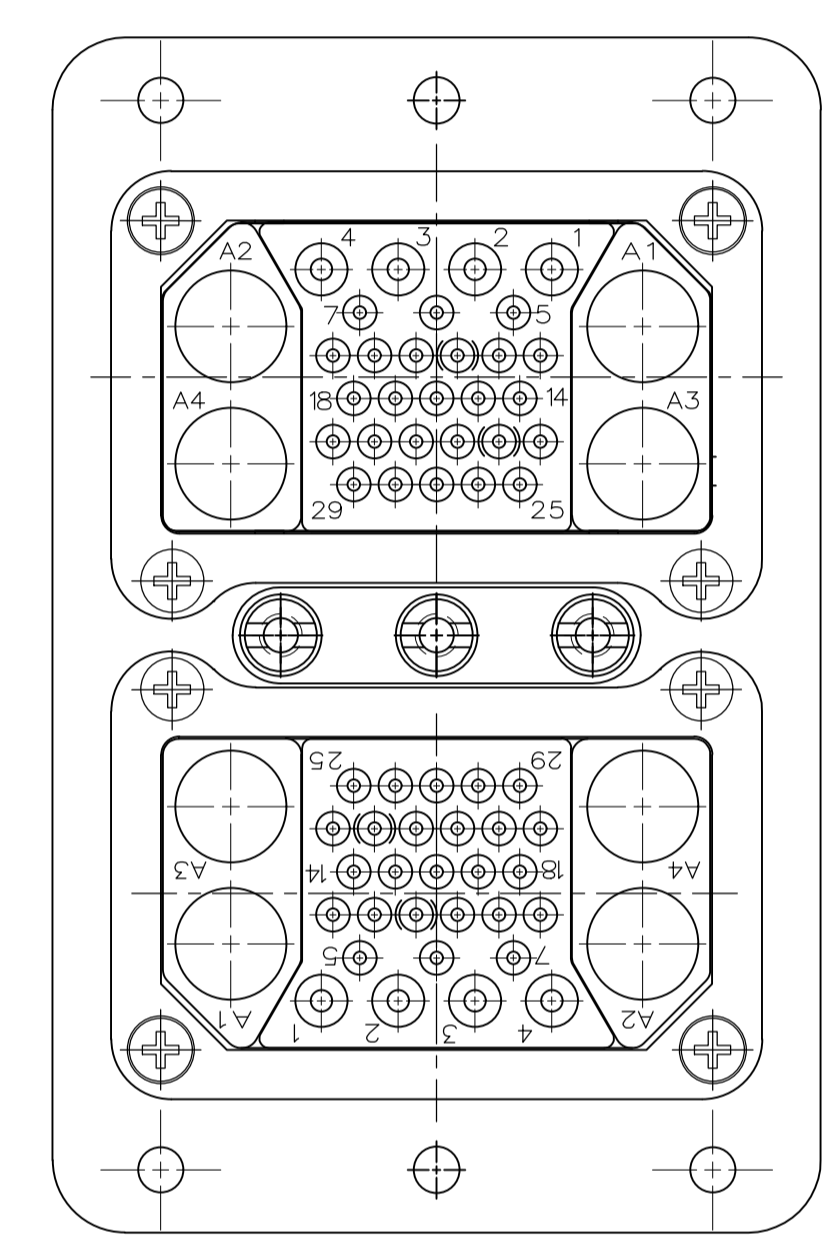
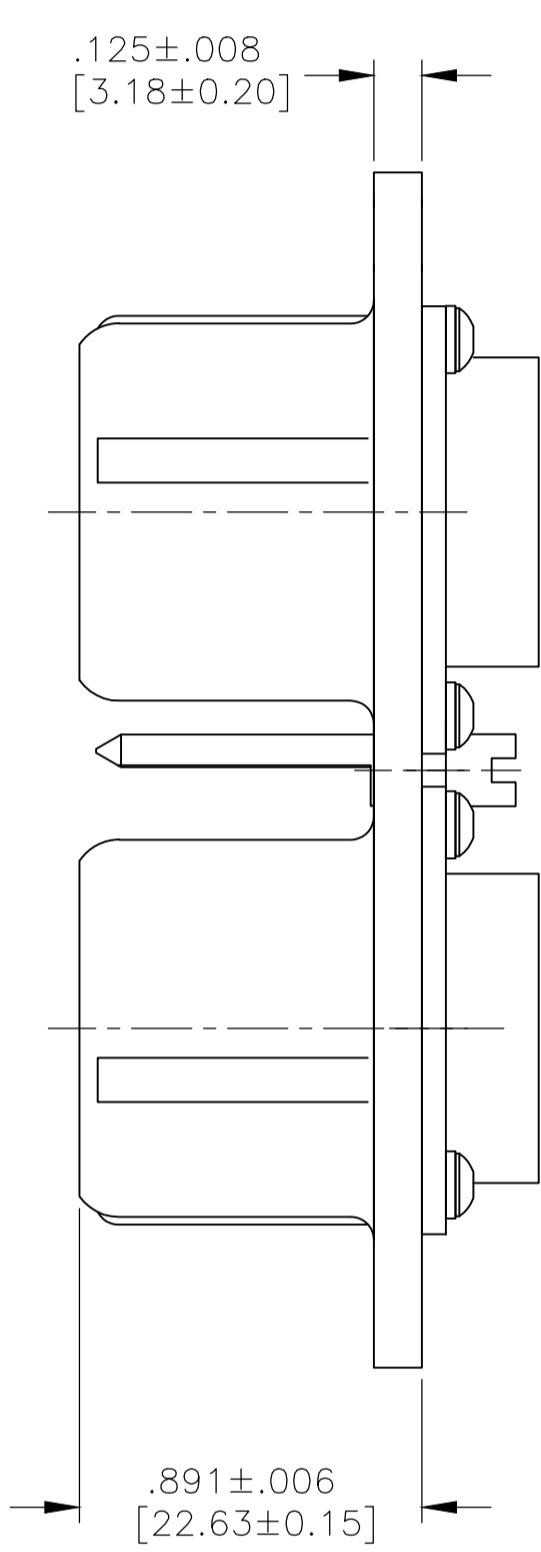
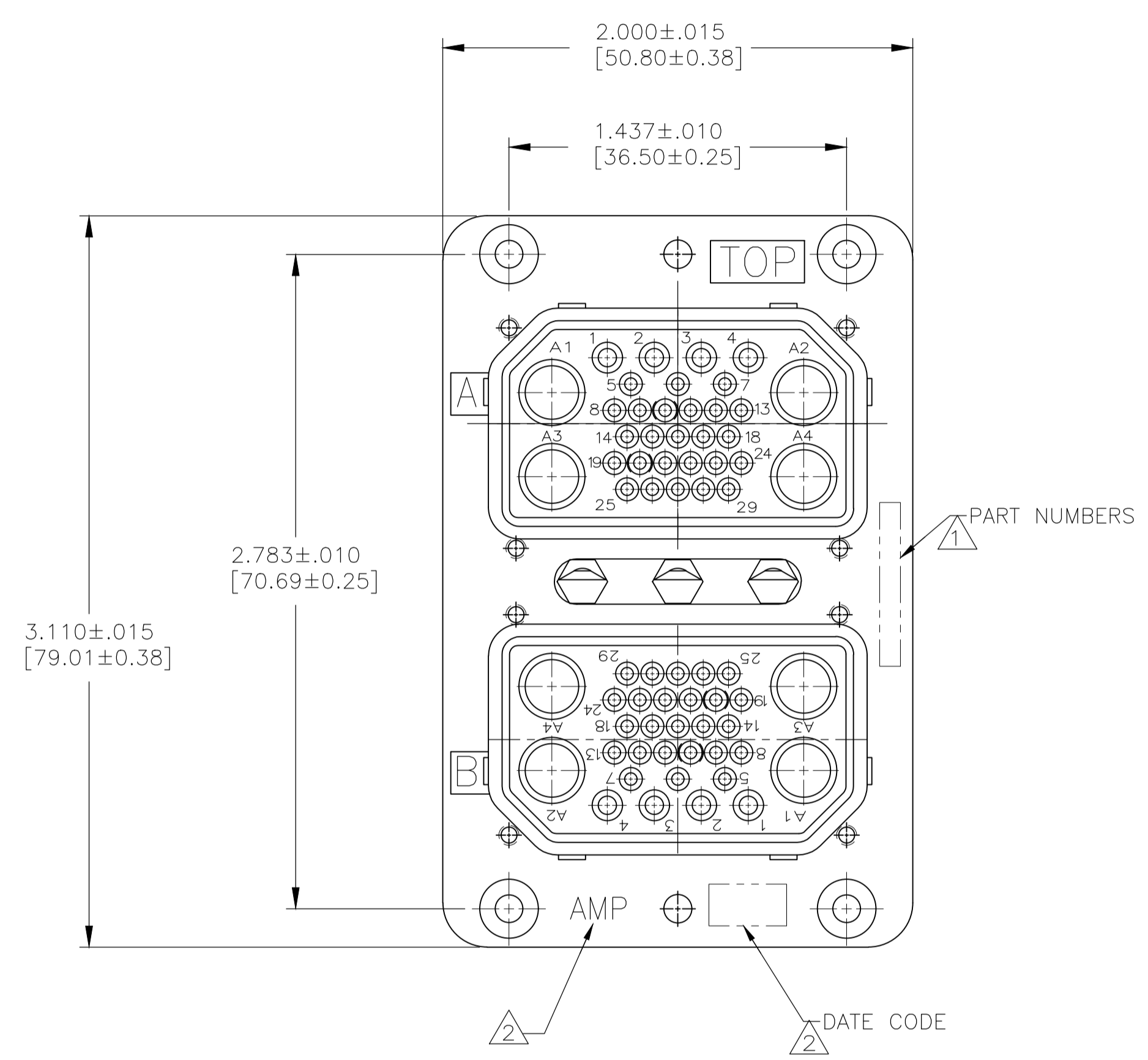


REVISIONS					
P	LTR	DESCRIPTION	DATE	OWN	APPROV
A1	REV PER ECO	20-012433	9-3-20	CT	RL

- 1. TE PART NO. AND DESCRIPTIVE PART NO. MARKED IS THESE AREAS.
- 2. "AMP" AND DATE CODE MARKED IN THIS AREA.
- 3. KEYING ASSEMBLED IN THE "01" POSITION.
- 4. MATERIAL AND FINISH:  
SHELL: DIE CAST ALUMINUM ALLOY PER SPEC QQ-A-591.  
STANDARD FINISH: CADMIUM PLATE PER QQ-P-416, TYPE I,  
CLASS 2 YELLOW CHROMATE CONVERSION.  
INSERT RETENTION PLATE: ALUMINUM ALLOY, BLUE ANODIZE  
PER MIL-A-8625.  
SCREWS AND WASHERS: STAINLESS STEEL, PASSIVATED.  
POLARIZING POSTS: STAINLESS STEEL, PASSIVATED.  
POLARIZING NUTS: BRASS, CADMIUM PLATED.



1218528-1  
PART NUMBER

THIS DRAWING IS A CONTROLLED DOCUMENT.		DWG: C.C.THOMAS 3-13-14	TE Connectivity	
DIMENSIONS: INCHES		CHK: D.FABY 3-13-14	NAME: ASSY,ARINC 404,RM2P33C4S33C4S-0001 (200)	
TOLERANCES UNLESS OTHERWISE SPECIFIED:		APP'D: D.FABY 3-13-14	APPLICATION SPEC: -	
0. PLC ± -		PRODUCT SPEC: -		
1. PLC ± -		APPLICATION SPEC: -		
2. PLC ± -		SIZE: -		
3. PLC ± .005 [0.13]		CAGE CODE: -		
4. PLC ± -		DRAWING NO: -		
ANGLES ± -		RESTRICTED TO: -		
MATERIAL: -	FINISH: -	WEIGHT: 0.000000	A1 00779	SCALE: 2:1
CUSTOMER DRAWING		C=1218528		SHEET 1 OF 1
		REV A1		