

EG 45-GMFP/PC GY - Mounting base housing



2735386

<https://www.phoenixcontact.com/us/products/2735386>

Please be informed that the data shown in this PDF document is generated from our online catalog. Please find the complete data in the user documentation. Our general terms of use for downloads are valid.

Housing base, with metal foot catch and test opening with side cover



Your advantages

- Tool-free mounting

Commercial data

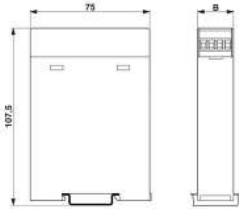
Item number	2735386
Packing unit	1 pc
Minimum order quantity	10 pc
Note	Made to order (non-returnable)
Sales key	AC11
Product key	ACHCGA
GTIN	4017918572167
Weight per piece (including packing)	60.77 g
Weight per piece (excluding packing)	60 g
Customs tariff number	85389099
Country of origin	PL

Technical data

Product properties

Type	Lower housing parts with test opening with side cover, housing cover necessary to complete the module
Product type	Enclosure bottom part
Product family	EG G PC
Number of positions	16
Type	Lower housing part with metal foot catch and test opening with side cover
Housing type	Component housing
Ventilation openings present	no
Housing series	EG

Dimensions

Dimensional drawing	
Width	45 mm
Height	75 mm

PCB design

PCB thickness	1.4 mm ... 1.8 mm
---------------	-------------------

Material specifications

Color	gray (7040)
Flammability rating according to UL 94	V0
Surface characteristics	untreated
Housing material	Polycarbonate

Environmental and real-life conditions

Ambient conditions

Degree of protection	IP20
Max. IP code to attain	IP20
Ambient temperature (operation)	-40 °C ... 105 °C (depending on power dissipation)
Ambient temperature (storage/transport)	-40 °C ... 70 °C
Ambient temperature (assembly)	-5 °C ... 100 °C

PCB data

Thickness of the PCB	1.4 mm ... 1.8 mm
----------------------	-------------------

EG 45-GMFP/PC GY - Mounting base housing



2735386

<https://www.phoenixcontact.com/us/products/2735386>

Mounting

Mounting type	DIN rail mounting
Mounting position	Vertical (horizontal DIN rail)

EG 45-GMFP/PC GY - Mounting base housing

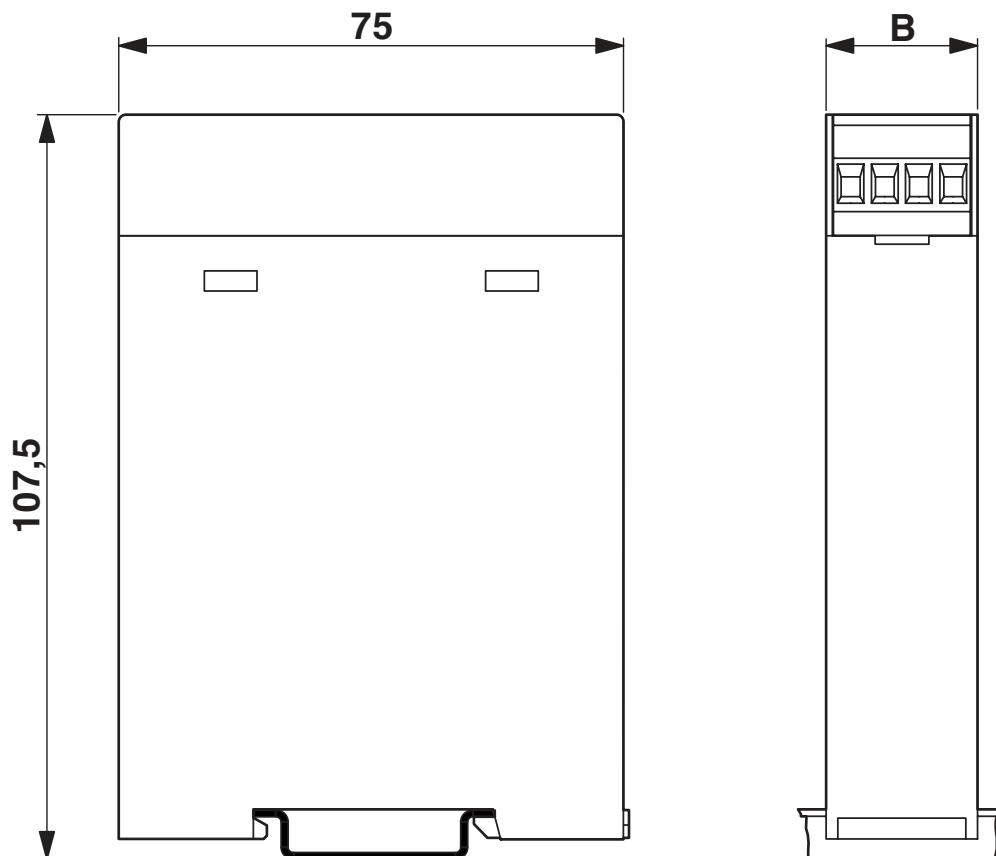
2735386

<https://www.phoenixcontact.com/us/products/2735386>



Drawings

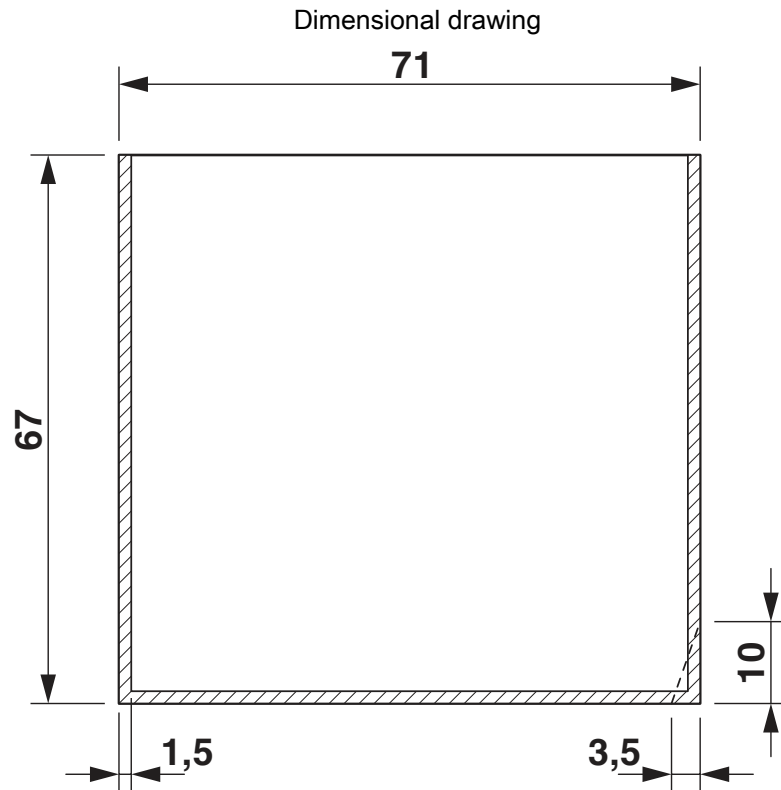
Dimensional drawing



EG 45-GMFP/PC GY - Mounting base housing

2735386

<https://www.phoenixcontact.com/us/products/2735386>

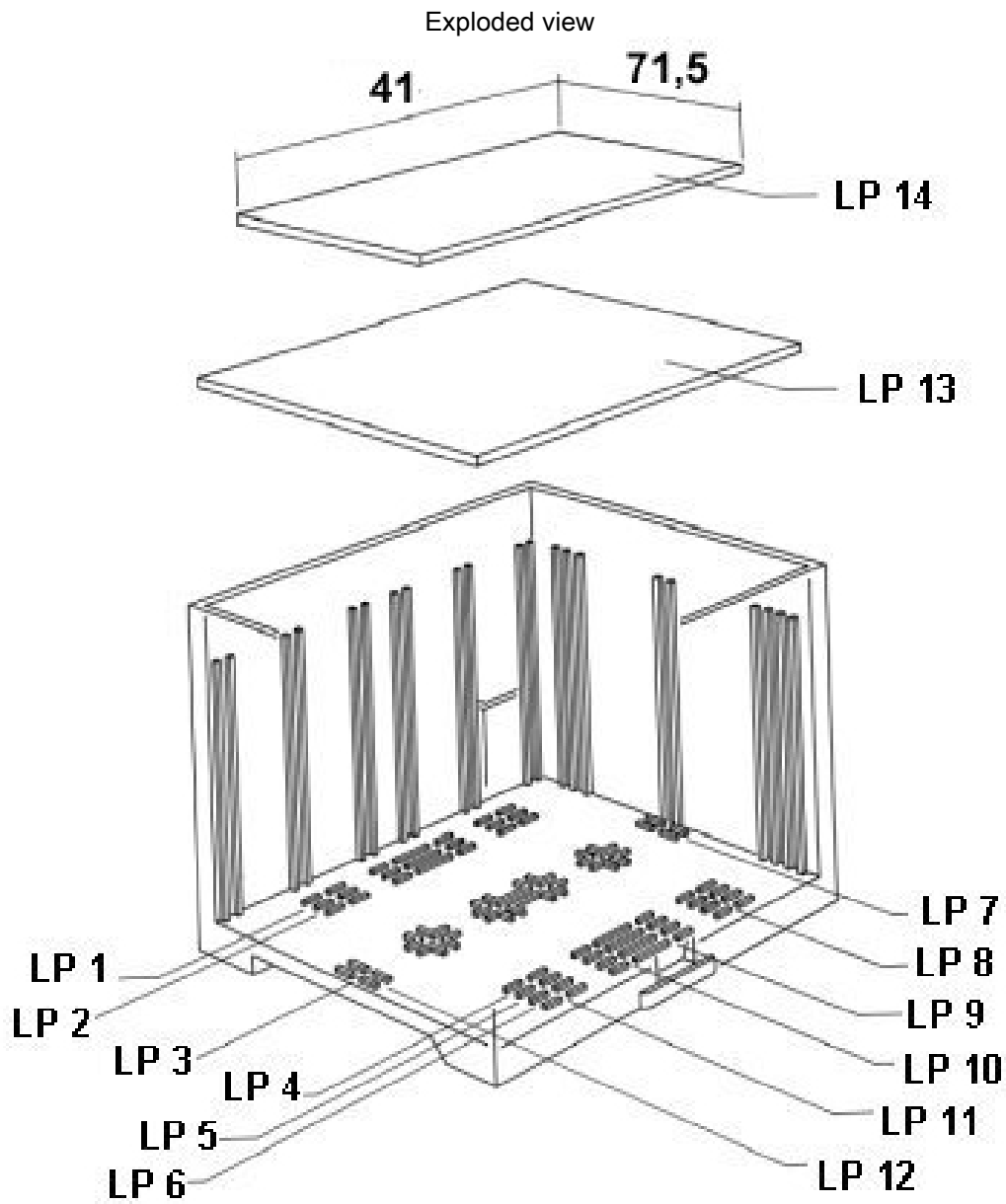


valid for PCB 10, see explosion drawing

EG 45-GMFP/PC GY - Mounting base housing

2735386

<https://www.phoenixcontact.com/us/products/2735386>



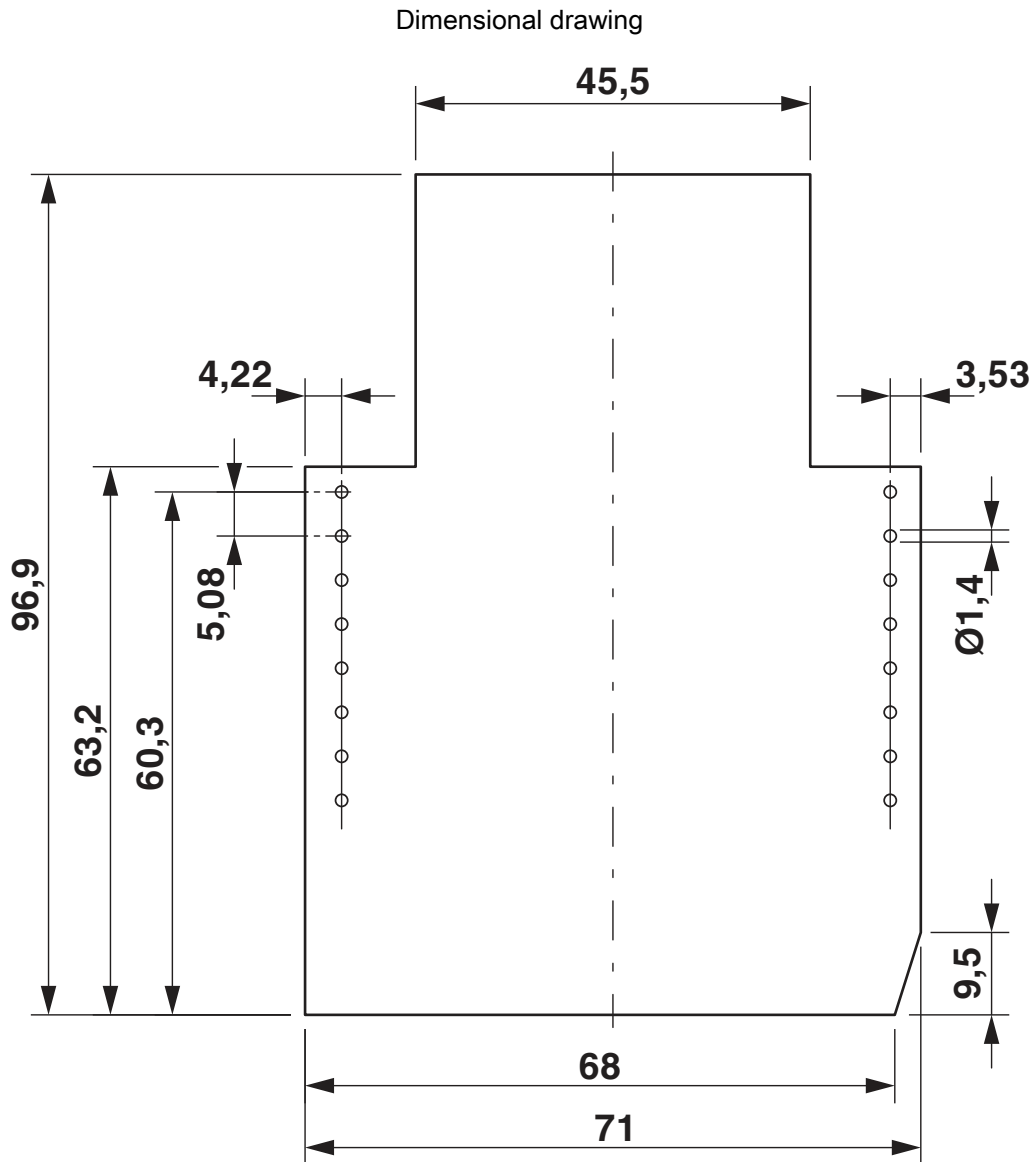
valid for PCB 13

EG 45-GMFP/PC GY - Mounting base housing



2735386

<https://www.phoenixcontact.com/us/products/2735386>

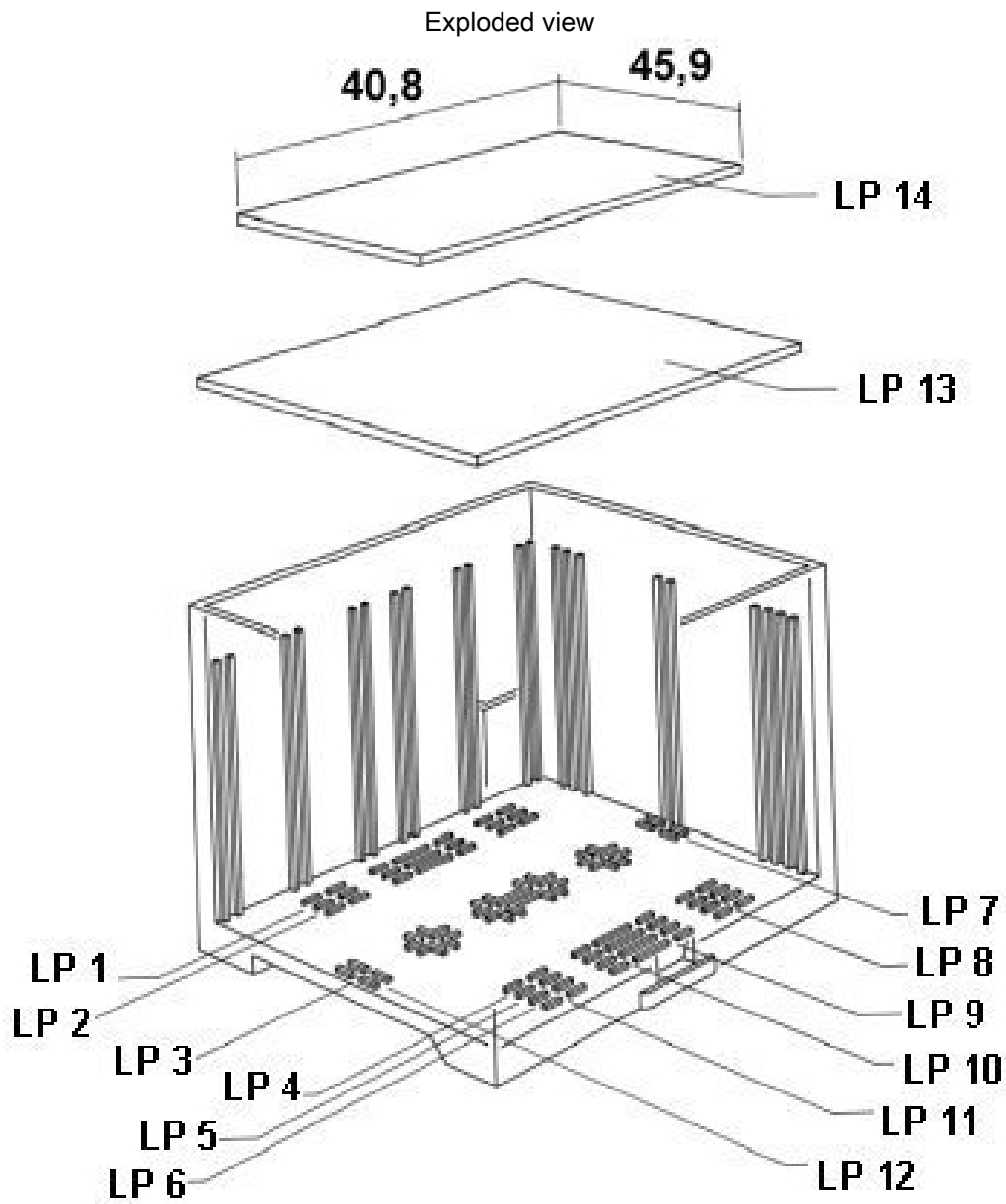


Component mounting side, if the double-level upper part is used

EG 45-GMFP/PC GY - Mounting base housing

2735386

<https://www.phoenixcontact.com/us/products/2735386>

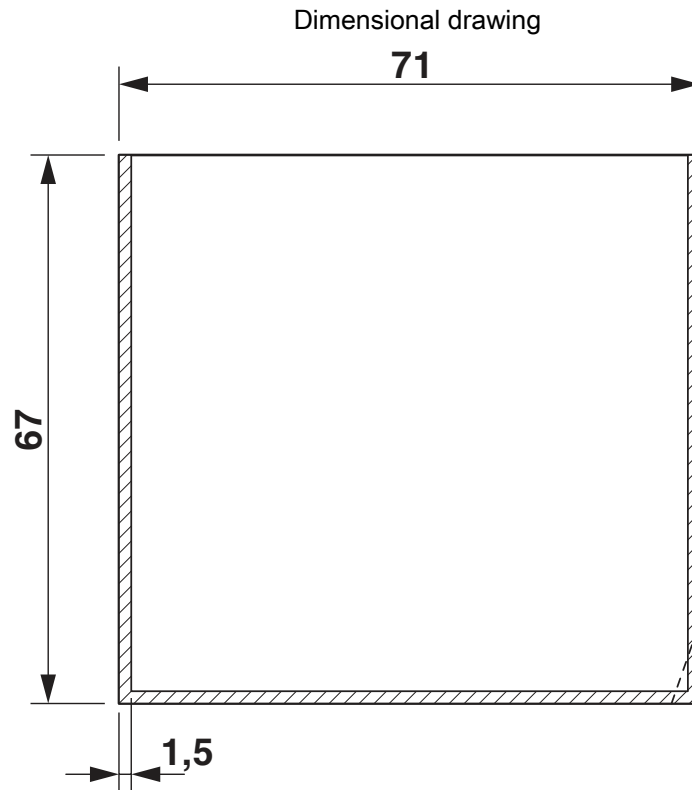


valid for PCB 14

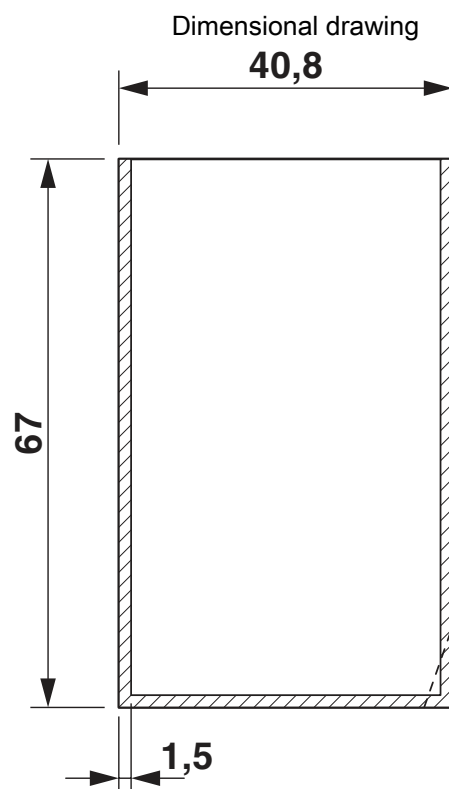
EG 45-GMFP/PC GY - Mounting base housing

2735386

<https://www.phoenixcontact.com/us/products/2735386>



valid for PCB 7 and 12, see explosion drawing



valid for PCB 1; 3; 5 and 6, see explosion drawing

EG 45-GMFP/PC GY - Mounting base housing



2735386

<https://www.phoenixcontact.com/us/products/2735386>

Approvals

To download certificates, visit the product detail page: <https://www.phoenixcontact.com/us/products/2735386>



UL Recognized

Approval ID: FILE E 240868

EG 45-GMFP/PC GY - Mounting base housing



2735386

<https://www.phoenixcontact.com/us/products/2735386>

Classifications

ECLASS

ECLASS-11.0	27182702
ECLASS-13.0	27190601

ETIM

ETIM 8.0	EC001031
----------	----------

UNSPSC

UNSPSC 21.0	31261500
-------------	----------

EG 45-GMFP/PC GY - Mounting base housing



2735386

<https://www.phoenixcontact.com/us/products/2735386>

Environmental product compliance

China RoHS	Environmentally friendly use period: unlimited = EFUP-e
	No hazardous substances above threshold values

EG 45-GMFP/PC GY - Mounting base housing

2735386

<https://www.phoenixcontact.com/us/products/2735386>

Mandatory accessories

EG 45-AE/PC GN - Upper part of housing

2764865

<https://www.phoenixcontact.com/us/products/2764865>

Component housing, Cover, for one-sided connection, width: 45 mm, height: 75 mm, color: green (6021)



EG 45-A/PC GN - Upper part of housing

2764878

<https://www.phoenixcontact.com/us/products/2764878>

Housing cover, for connection on both sides



EG 45-GMFP/PC GY - Mounting base housing

2735386

<https://www.phoenixcontact.com/us/products/2735386>



EG 45-AG/PC GN - Upper part of housing

2764881

<https://www.phoenixcontact.com/us/products/2764881>

Component housing, Cover, closed, width: 45 mm, height: 75 mm, color: green (6021)



EG 45-A/PC GY - Upper part of housing

2853129

<https://www.phoenixcontact.com/us/products/2853129>

Component housing, Cover, for two-sided connection, width: 45 mm, height: 75 mm, color: gray (7040)



Accessories

EG 45-GMFP/PC GY - Mounting base housing

2735386

<https://www.phoenixcontact.com/us/products/2735386>

CR-MSTB - Coding section

1734401

<https://www.phoenixcontact.com/us/products/1734401>

Coding section, inserted into the recess in the header or the inverted plug, red insulating material



CP-MSTB - Coding profile

1734634

<https://www.phoenixcontact.com/us/products/1734634>

Coding profile, is inserted into the slot on the plug or inverted header, red insulating material



EG 45-GMFP/PC GY - Mounting base housing

2735386

<https://www.phoenixcontact.com/us/products/2735386>

MSTBO 2,5/ 8-GL-5,08 GY - PCB header

1926772

<https://www.phoenixcontact.com/us/products/1926772>



PCB headers, nominal cross section: 2.5 mm², color: gray, nominal current: 8 A, rated voltage (III/2): 320 V, contact surface: Tin, contact connection type: Pin, number of potentials: 8, number of rows: 1, number of positions: 8, number of connections: 8, product range: MSTBO 2,5/...-GL, pitch: 5.08 mm, mounting: Wave soldering, pin layout: Linear pinning, solder pin [P]: 3.2 mm, number of solder pins per potential: 1, plug-in system: COMBICON MSTB 2,5, locking: without, mounting: without, type of packaging: packed in cardboard

MVSTBW 2,5/ 8-ST GY - PCB connector

1825996

<https://www.phoenixcontact.com/us/products/1825996>



PCB connector, nominal cross section: 2.5 mm², color: gray, nominal current: 12 A, rated voltage (III/2): 320 V, contact surface: Tin, contact connection type: Socket, number of potentials: 8, number of rows: 1, number of positions: 8, number of connections: 8, product range: MVSTBW 2,5/...-ST, pitch: 5 mm, connection method: Screw connection with tension sleeve, screw head form: L Slotted, conductor/PCB connection direction: -90 °, locking clip: - Locking clip, plug-in system: COMBICON MSTB 2,5, locking: without, mounting: without, type of packaging: packed in cardboard

EG 45-GMFP/PC GY - Mounting base housing

2735386

<https://www.phoenixcontact.com/us/products/2735386>

MVSTBW 2,5/ 8-ST-5,08 GY - PCB connector

1829293

<https://www.phoenixcontact.com/us/products/1829293>



PCB connector, nominal cross section: 2.5 mm², color: gray, nominal current: 12 A, rated voltage (III/2): 320 V, contact surface: Tin, contact connection type: Socket, number of potentials: 8, number of rows: 1, number of positions: 8, number of connections: 8, product range: MVSTBW 2,5/...-ST, pitch: 5.08 mm, connection method: Screw connection with tension sleeve, screw head form: L Slotted, conductor/PCB connection direction: -90 °, locking clip: - Locking clip, plug-in system: COMBICON MSTB 2,5, locking: without, mounting: without, type of packaging: packed in cardboard

MVSTBW 2,5/ 8-STE H GY - PCB connector

1863628

<https://www.phoenixcontact.com/us/products/1863628>



PCB connector, nominal cross section: 2.5 mm², color: gray, nominal current: 12 A, rated voltage (III/2): 320 V, contact surface: Tin, contact connection type: Socket, number of potentials: 8, number of rows: 1, number of positions: 8, number of connections: 8, product range: MVSTBW 2,5/...-STE H, pitch: 5 mm, connection method: Screw connection with tension sleeve, screw head form: L Slotted, conductor/PCB connection direction: -90 °, locking clip: - Locking clip, plug-in system: COMBICON MSTB 2,5, locking: without, mounting: without, type of packaging: packed in cardboard

EG 45-GMFP/PC GY - Mounting base housing

2735386

<https://www.phoenixcontact.com/us/products/2735386>

FKCT 2,5/ 8-ST - PCB connector

1909278

<https://www.phoenixcontact.com/us/products/1909278>



PCB connector, nominal cross section: 2.5 mm², color: green, nominal current: 12 A, rated voltage (III/2): 320 V, contact surface: Tin, contact connection type: Socket, number of potentials: 8, number of rows: 1, number of positions: 8, number of connections: 8, product range: FKCT 2,5/..-ST, pitch: 5 mm, connection method: Push-in spring connection, conductor/PCB connection direction: 0 °, locking clip: - Locking clip, plug-in system: COMBICON MSTB 2,5, locking: without, mounting: without, type of packaging: packed in cardboard

MKKDSH 3/ 2 - PCB terminal block

1721045

<https://www.phoenixcontact.com/us/products/1721045>



PCB terminal block, nominal current: 24 A, rated voltage (III/2): 400 V, nominal cross section: 2.5 mm², number of potentials: 2, number of rows: 1, number of positions per row: 2, product range: MKKDSH 3, pitch: 5 mm, connection method: Screw connection with tension sleeve, screw head form: L Slotted, mounting: Wave soldering, conductor/PCB connection direction: 0 °, color: green, Pin layout: Linear pinning, Solder pin [P]: 5 mm, number of solder pins per potential: 1, type of packaging: packed in cardboard. The article can be aligned to create different nos. of positions!

EG 45-GMFP/PC GY - Mounting base housing

2735386

<https://www.phoenixcontact.com/us/products/2735386>

MKKDSH 3/ 2 GY - PCB terminal block

1932478

<https://www.phoenixcontact.com/us/products/1932478>



PCB terminal block, nominal current: 24 A, rated voltage (III/2): 400 V, nominal cross section: 2.5 mm², number of rows: 1, number of positions per row: 2, product range: MKKDSH 3, pitch: 5 mm, connection method: Screw connection with tension sleeve, screw head form: L Slotted, mounting: Wave soldering, conductor/PCB connection direction: 0 °, color: gray, Pin layout: Linear pinning, Solder pin [P]: 5 mm, number of solder pins per potential: 1, type of packaging: packed in cardboard. The article can be aligned to create different nos. of positions!

MKKDSH 3/ 3 - PCB terminal block

1721346

<https://www.phoenixcontact.com/us/products/1721346>



PCB terminal block, nominal current: 24 A, rated voltage (III/2): 400 V, nominal cross section: 2.5 mm², number of potentials: 3, number of rows: 1, number of positions per row: 3, product range: MKKDSH 3, pitch: 5 mm, connection method: Screw connection with tension sleeve, screw head form: L Slotted, mounting: Wave soldering, conductor/PCB connection direction: 0 °, color: green, Pin layout: Linear pinning, Solder pin [P]: 5 mm, number of solder pins per potential: 1, type of packaging: packed in cardboard. The article can be aligned to create different nos. of positions!

EG 45-GMFP/PC GY - Mounting base housing

2735386

<https://www.phoenixcontact.com/us/products/2735386>



MKKDSH 3/ 8 - PCB terminal block

1703283

<https://www.phoenixcontact.com/us/products/1703283>



PCB terminal block, nominal current: 24 A, rated voltage (III/2): 400 V, nominal cross section: 2.5 mm², number of potentials: 8, number of rows: 1, number of positions per row: 8, product range: MKKDSH 3, pitch: 5 mm, connection method: Screw connection with tension sleeve, screw head form: L Slotted, mounting: Wave soldering, conductor/PCB connection direction: 0 °, color: green, Pin layout: Linear pinning, Solder pin [P]: 5 mm, number of solder pins per potential: 1, type of packaging: packed in cardboard. The article can be aligned to create different nos. of positions!

Phoenix Contact 2023 © - all rights reserved

<https://www.phoenixcontact.com>

Phoenix Contact USA
586 Fulling Mill Road
Middletown, PA 17057, United States
(+717) 944-1300
info@phoenixcon.com