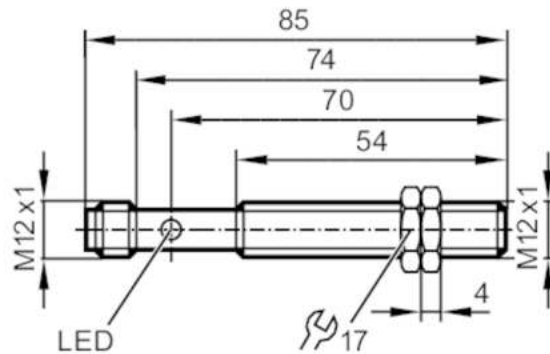


OF5021



Through-beam sensor transmitter

OFS-00KG/US-100



Product characteristics

Type of light	infrared light
Housing	threaded type

Application

Function principle	Through-beam sensor
--------------------	---------------------

Electrical data

Operating voltage	[V]	10...36 DC
Current consumption	[mA]	< 25
Protection class		II
Reverse polarity protection		yes
Type of light		infrared light
Wave length	[nm]	880

Outputs

Short-circuit protection		yes
Type of short-circuit protection		pulsed
Overload protection		yes

Detection zone

Transmitter / receiver		transmitter
Range	[m]	< 4
Range adjustable		no
Max. light spot diameter	[mm]	700
Light spot dimensions refer to		at maximum range

Operating conditions

Ambient temperature	[°C]	-25...60
Protection		IP 65

Tests / approvals

EMC		EN 60947-5-2
MTTF	[years]	1597

Mechanical data

Weight	[g]	35.5
--------	-----	------

OF5021



Through-beam sensor transmitter

OFS-00KG/US-100

Housing	threaded type
Dimensions [mm]	M12 x 1 / L = 74
Thread designation	M12 x 1
Materials	housing: brass white bronze coated
Lens material	PMMA

Displays / operating elements

Display	operation	1 x LED, green
---------	-----------	----------------

Accessories

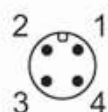
Items supplied	lock nuts: 2
----------------	--------------

Remarks

Pack quantity	1 pcs.
---------------	--------

Electrical connection

Connector: 1 x M12; coding: A



Connection

