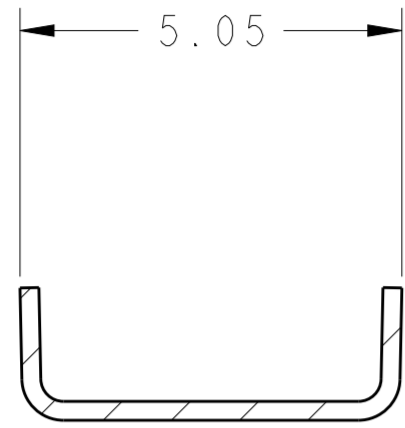


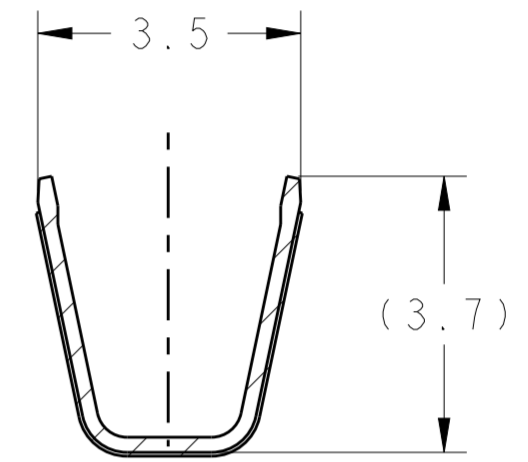
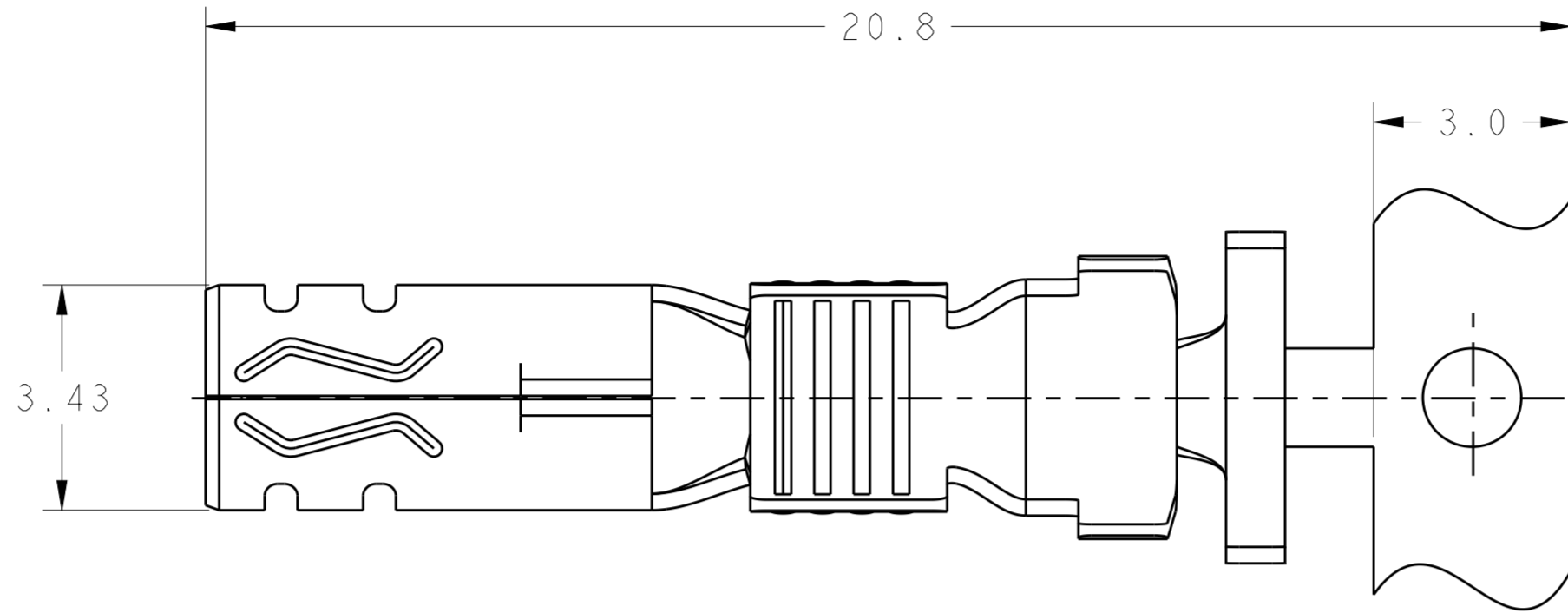
THIS DRAWING IS UNPUBLISHED. RELEASED FOR PUBLICATION 20  
 © COPYRIGHT 20 BY - ALL RIGHTS RESERVED.

LOC ES DIST 00

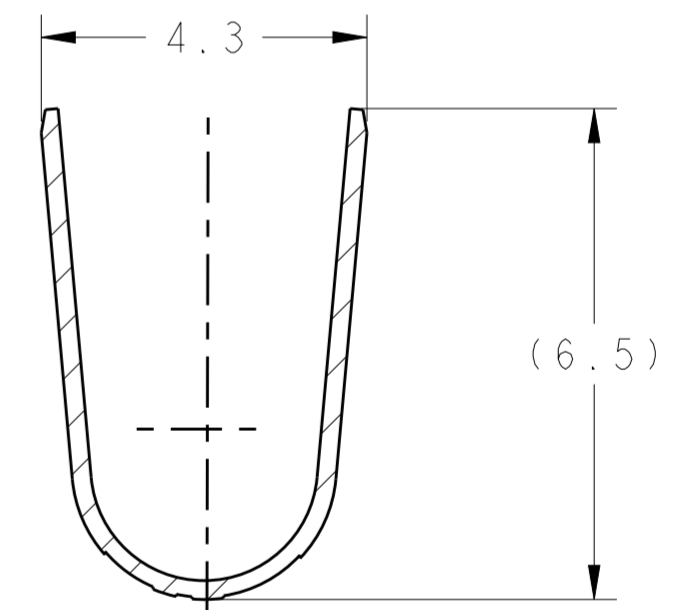
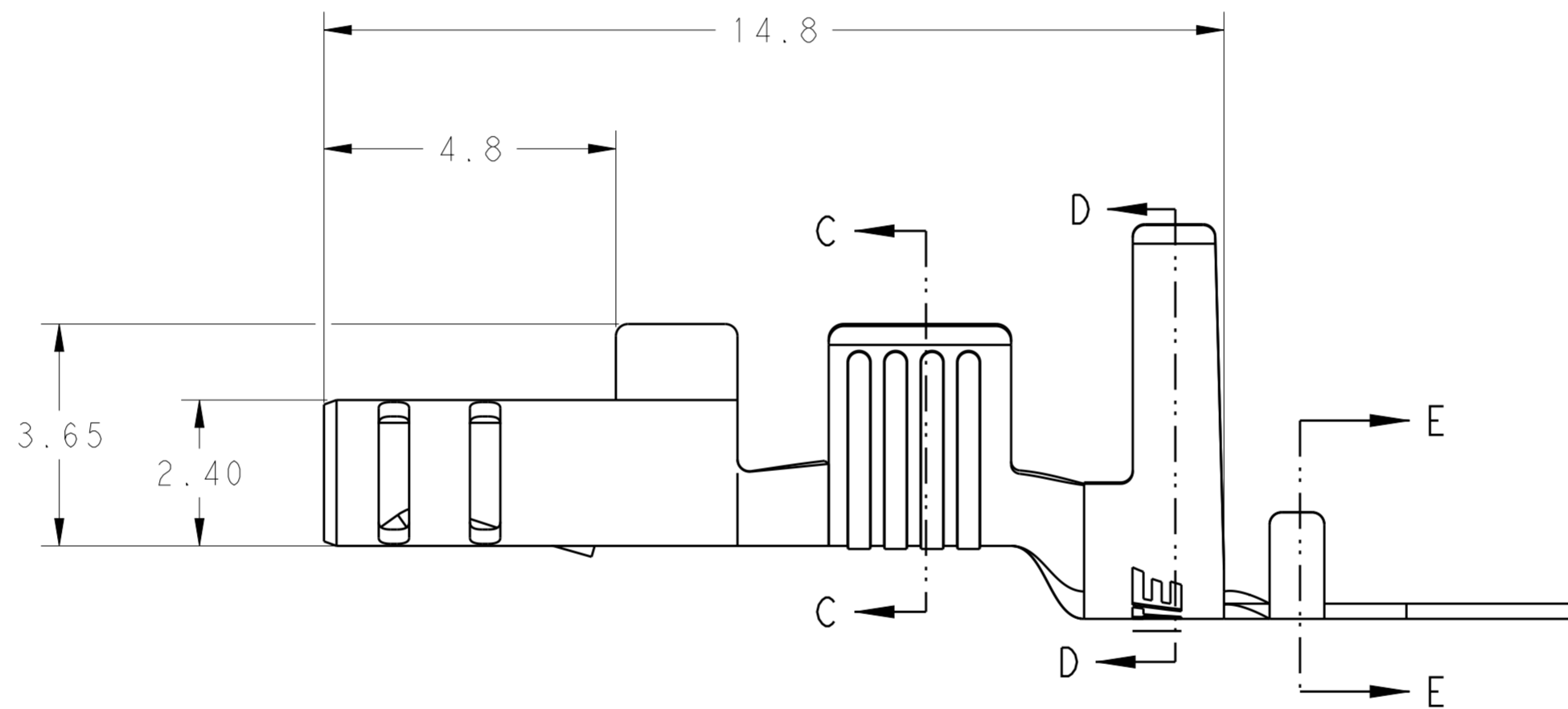
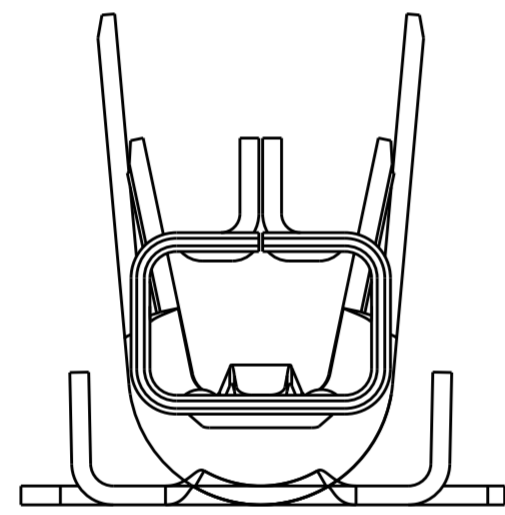
REVISIONS				
P	LTR	DESCRIPTION	DATE	APVD
D1		REVISED PER ECR-16-017426	19DEC2016	BW RS



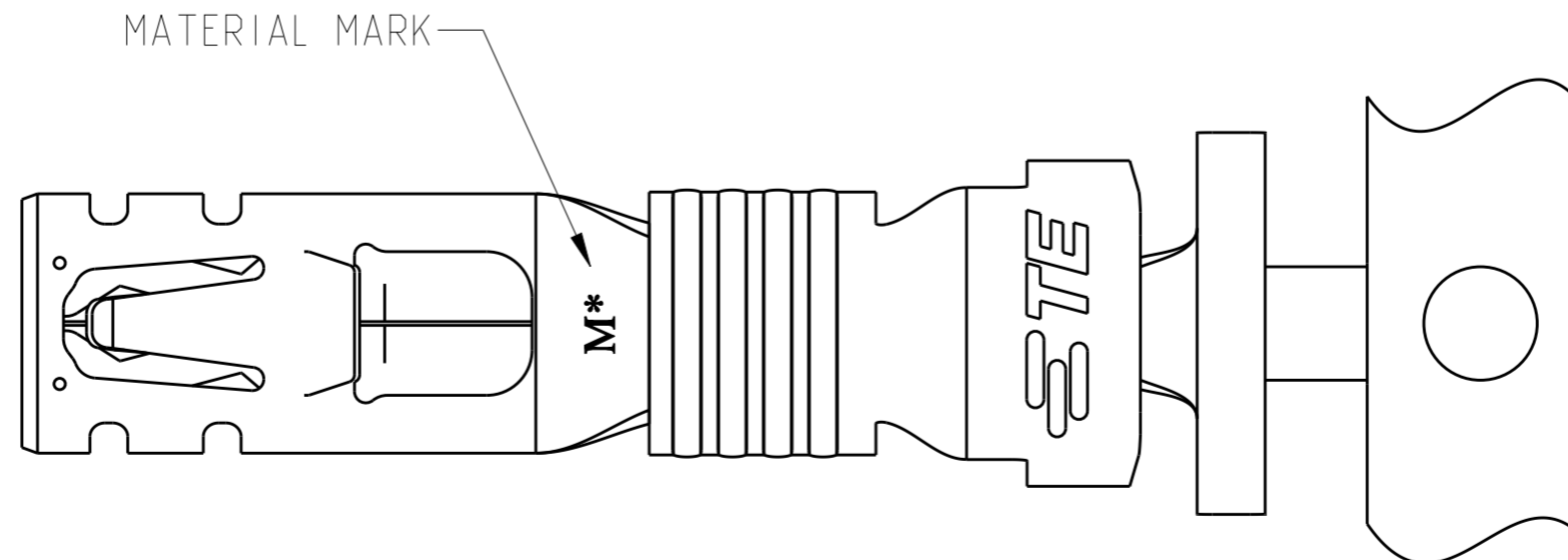
SECTION E-E



SECTION C-C



SECTION D-D



1 MATERIAL: COPPER ALLOY, PRE TIN PLATING.

2 APPLICABLE MATED PLUG HOUSING P/N:  
 \*-1971773-\*/\*-1971776-\*/\*-1971876-\*/  
 /\*-2232265-\*/\*-2232266-\*/\*-2232357-\*

3 APPLICABLE WIRE: 2x18AWG COPPER STRANDED

4 APPLICABLE INSULATION DIAMETER: 2.65~2.95mm

5 THIS PRODUCT HAS NOT COMPLETED VALIDATION TESTING.

HIGH(150°C)	M0	1971787-2
STANDARD(105°C)	M4	1971787-1
TEMP. RATING	MATERIAL MARK	PART NO

THIS DRAWING IS A CONTROLLED DOCUMENT.

DWN TOMMY WU 11 JUL 2012	TE Connectivity
CHK HAPYE WU 11 JUL 2012	
APVD YUHHONG MAO 11 JUL 2012	
PRODUCT SPEC 108-106118	NAME RECEPTACLE CONTACT POWER TRIPLE LOCK
APPLICATION SPEC 114-106118	SIZE CAGE CODE DRAWING NO RESTRICTED TO
WEIGHT -	A200779 C-1971787
Customer Drawing	SCALE 5:1 SHEET 1 OF 1 REV D1

DIMENSIONS:	TOLERANCES UNLESS OTHERWISE SPECIFIED:
mm	
0 PLC	±
1 PLC	±0.5
2 PLC	±0.30
3 PLC	±
4 PLC	±
ANGLES	±
FINISH	