

1

2

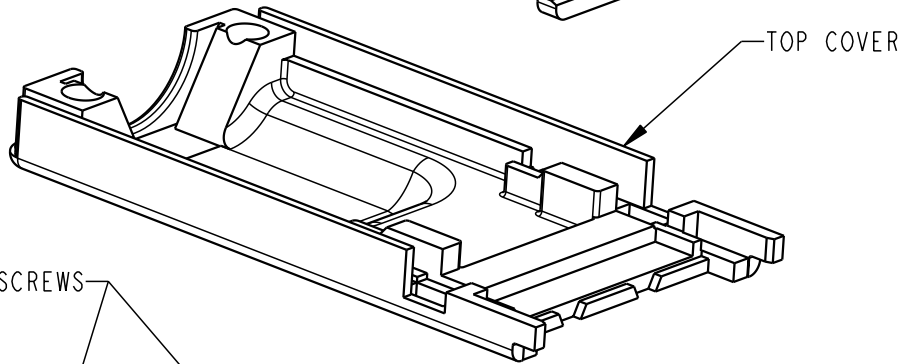
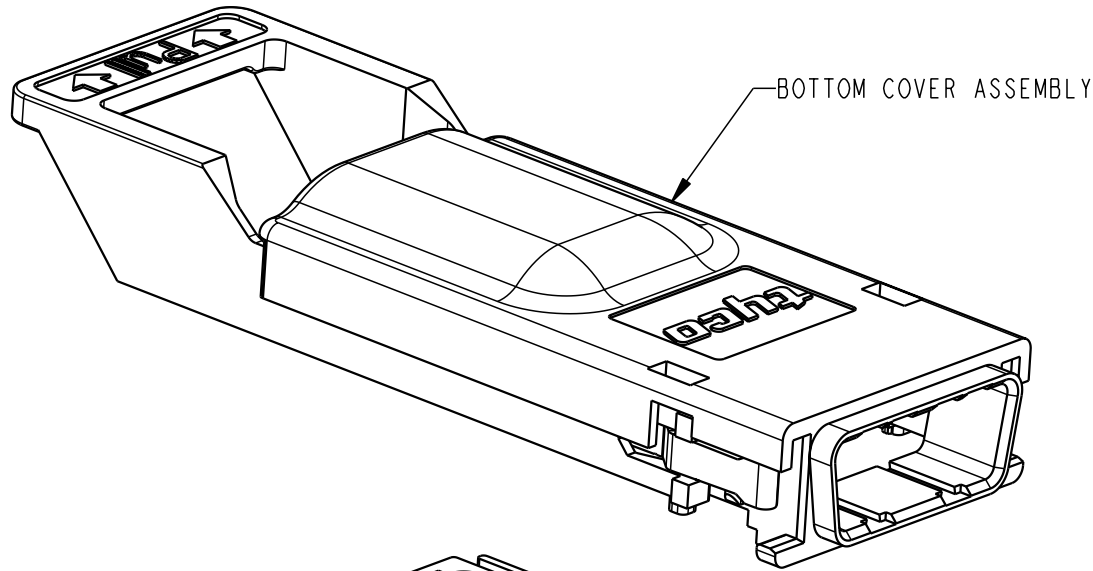
3

4

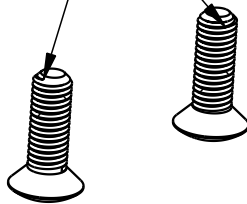
PRODUCT NUMBER

10019362-001

Tous droits strictement reserves. Reproduction ou communication a des tiers interdite sous quelque forme que ce soit sans autorisation écrite du propriétaire. Propriete de c FCI. Droits de reproduction FCI.



M2.5 OVAL HEAD SCREWS



NOTES:

1. MATERIALS:

DIE CAST SHELLS: ZINC WITH Ni PLATING & COPPER UNDER PLATING.

PULL TAB: THERMOPLASTIC

LATCH: STAINLESS STEEL

SCREWS: STAINLESS STEEL (M2.5 x 0.45)



All rights strictly reserved. Reproduction or issue to third parties in any form whatever is not permitted without written authority from the proprietor. Property of FCI. Copyright FCI.

		rev	ecn no	dr	date
		A	V03-0251	GIP	04/01/03
TOLERANCES UNLESS OTHERWISE SPECIFIED		-	-	-	-
LINEAR	0.X	±.3	-	-	-
	0.XX	±.10	-	-	-
	0.XXX	±.050	-	-	-
ANGULAR	0°	±2°	-	-	-

A FCI		www.fciconnect.com		surface <input checked="" type="checkbox"/> ASME Y14.5	tolerance -	projection	mm
Dr	G.PETERS	04/01/03	Product family EyeMax (TM)		size A4	Scale 1:1	
Eng	D.BRANN	04/01/03	Spec ref -		ECN	V03-0251	
Chr	G.PETERS	04/01/03	Material	SEE NOTES			
Appr	D.BRANN	04/01/03					
title 4X COVER ASSEMBLY KIT					dwg no 10019362	Rev. A	
KIT, FOR TYCO					CUSTOMER		sheet 1 of 1
catalog no -							