



## Part Number: D4C1722S

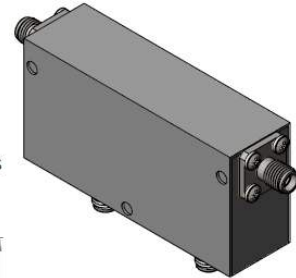
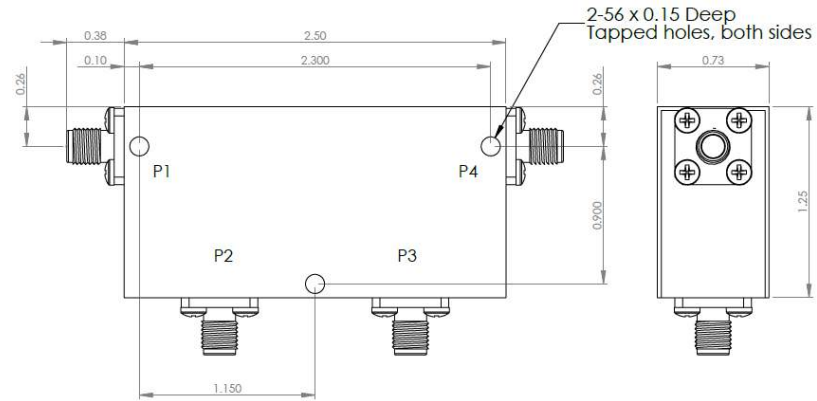
### Electrical Specifications

Frequency Range (GHz):	1.7 - 2.2
Isolation (dB):	20 MIN (per junction)
Insertion Loss (dB):	0.4 MAX (per junction)
VSWR:	1.25:1 MIN
Forward Power (W):	150 AVG 500 PK

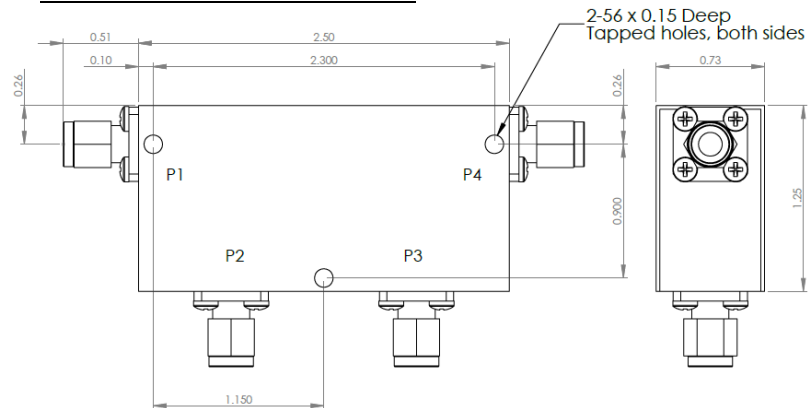
### Mechanical/Environmental Specifications

Connector Type:	SMA
Connector Body:	Passivated stainless steel
Connector Pin:	Gold plated copper
Load Body:	Brass
Magnetic Shunt:	Nickel plated CRS
Operational Temp:	-20°C to +65°C
Weight (oz)	5.5 MAX

### D4C1722S Dimensions



### D4C1722S-3 Dimensions



Dimensions are in inches

Tolerance	XX	±0.03
	XXX	±0.010

Type of Device	PN Suffix	Connector Configuration Input / Output	PN Example
Dual Junction Circulator 4-Port Device	No Dash	Female / Female / Female / Female	D4C1722S
	-1	Male / Female / Female / Female	D4C1722S-1
	-2	Female / Male / Female / Female	D4C1722S-2
	-3	Male / Male / Male / Male	D4C1722S-3
	-4	Female / Female / Male / Female	D4C1722S-4
Port 1 / Port 2 / Port 3 / Port 4	-5	Female / Female / Female / Male	D4C1722S-5



## MEASURED DATA

Part Number: D4C1722S, P4→P1, P2 & P3 Terminated with 50Ω, +25°C

