

1-968879-1 ✓ ACTIVE

AMP | Junior Power Timer, Micro Timer II

TE Internal #: 1-968879-1

Housing for Female Terminals, Wire-to-Wire, 70 Position, .196 in / .157 in [4 mm / 5 mm] Centerline, Sealable, Black, Wire & Cable, Hybrid

[View on TE.com >](#)



Connectors > Automotive Connectors > Automotive Housings > Timer Connector Housing



Connector & Housing Type: **Housing for Female Terminals**

Mating Tab Width: **1.6 mm, 2.8 mm** [.063 in, .11 in]

Connector System: **Wire-to-Wire**

Number of Positions: **70**

Centerline (Pitch): **4 mm, 5 mm** [.157 in, .196 in]

[All Timer Connector Housing \(589\)](#)

Features

Product Type Features

Connector Shape	Rectangular
Connector & Housing Type	Housing for Female Terminals
Connector System	Wire-to-Wire
Sealable	Yes
Hybrid Connector	Yes
Primary Locking Feature	On the Terminal
Connector & Contact Terminates To	Wire & Cable

Configuration Features

Number of Positions	70
Number of Rows	3

Electrical Characteristics

Nominal Voltage Architecture	12 V
------------------------------	------

Body Features

Cable Exit Angle	180°
Primary Product Color	Black
Connector & Keying Code	Neutral



Contact Features

Contact Size	1.6mm, 2.8mm
Contact Type	Receptacle
Mating Tab Width	1.6 mm, 2.8 mm [.063 in][.11 in]
Contact Current Rating (Max)	10 A, 30 A

Mechanical Attachment

Terminal Position Assurance	No
Strain Relief	Without
Mating Alignment Type	Polarization Slot
Mating Alignment	With
Connector Mounting Type	Cable Mount (Free-Hanging)

Housing Features

Housing Material	PBT GF
Centerline (Pitch)	4 mm, 5 mm [.157 in][.196 in]

Dimensions

Connector Height	46 mm [1.811 in]
Product Width	38.5 mm [1.516 in]
Product Length	135.66 mm [5.341 in]
Row-to-Row Spacing	5.9 mm [.232 in]

Usage Conditions

Operating Temperature (Max)	130 °C [266 °F]
Operating Temperature Range	-40 – 130 °C [-40 – 266 °F]

Operation/Application

Circuit Application	Power & Signal
---------------------	----------------

Packaging Features

Packaging Method	Package
------------------	---------

Other

Serviceable	No
Connector Position Assurance Capable	No

Product Compliance

[For compliance documentation, visit the product page on TE.com>](#)



EU RoHS Directive 2011/65/EU	Compliant
EU ELV Directive 2000/53/EC	Compliant
China RoHS 2 Directive MIIT Order No 32, 2016	No Restricted Materials Above Threshold
EU REACH Regulation (EC) No. 1907/2006	Current ECHA Candidate List: JUNE 2023 (235) Candidate List Declared Against: JUNE 2023 (235) Does not contain REACH SVHC
Halogen Content	BFR/CFR/PVC Free, but Br/Cl >900 ppm in other sources.
Solder Process Capability	Not applicable for solder process capability

Product Compliance Disclaimer

This information is provided based on reasonable inquiry of our suppliers and represents our current actual knowledge based on the information they provided. This information is subject to change. The part numbers that TE has identified as EU RoHS compliant have a maximum concentration of 0.1% by weight in homogenous materials for lead, hexavalent chromium, mercury, PBB, PBDE, DBP, BBP, DEHP, DIBP, and 0.01% for cadmium, or qualify for an exemption to these limits as defined in the Annexes of Directive 2011/65/EU (RoHS2). Finished electrical and electronic equipment products will be CE marked as required by Directive 2011/65/EU. Components may not be CE marked. Additionally, the part numbers that TE has identified as EU ELV compliant have a maximum concentration of 0.1% by weight in homogenous materials for lead, hexavalent chromium, and mercury, and 0.01% for cadmium, or qualify for an exemption to these limits as defined in the Annexes of Directive 2000/53/EC (ELV). Regarding the REACH Regulation, the information TE provides on SVHC in articles for this part number is based on the latest European Chemicals Agency (ECHA) 'Guidance on requirements for substances in articles' posted at this URL: <https://echa.europa.eu/guidance-documents/guidance-on-reach>

Compatible Parts



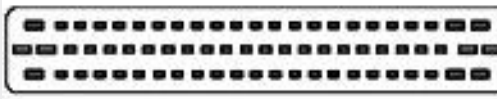
TE Part # 1-963484-1
MESSERLEISTE MIX70P



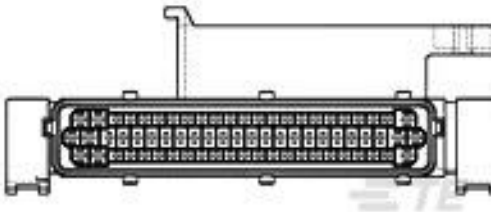
TE Part # 1-963484-3
MESSERLEISTE MIX70P



TE Part # 1-1823748-1
70POS, MIXED,HEADER ASSY



TE Part # 963361-1
SEALING F/70P HSG



TE Part # 2-965267-1
FLACHSTE-GEH MIX70P

Also in the Series | [Junior Power Timer](#)



Automotive Connector Caps & Covers (5)



Automotive Housings(252)



Automotive Terminals(86)



Busbars & Terminals(1)



Connector Seals & Cavity Plugs(10)



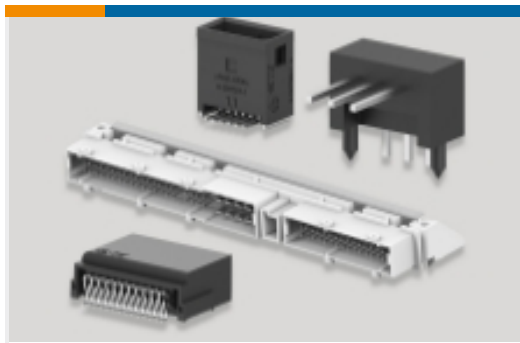
Insertion & Extraction Tools(8)



Module Components(6)



Other Automotive Connector Accessories(1)

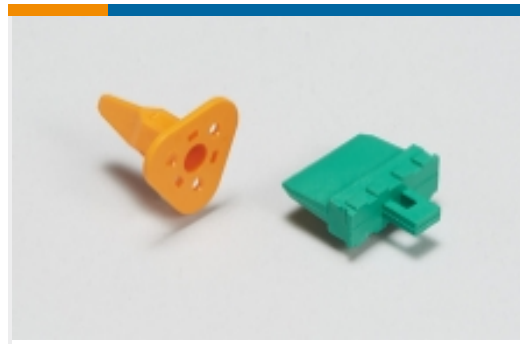


PCB Headers & Receptacles(1)

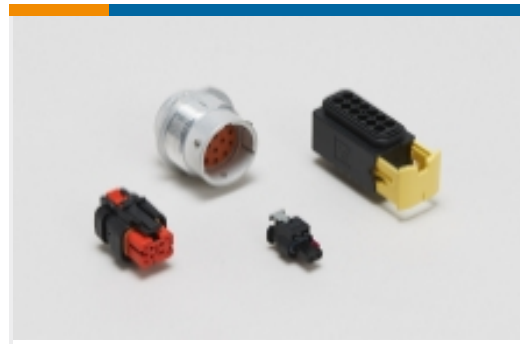
Also in the Series | Micro Timer II



Automotive Connector Caps & Covers (2)



Automotive Connector Locks & Position Assurance(1)



Automotive Housings(34)



Automotive Terminals(30)

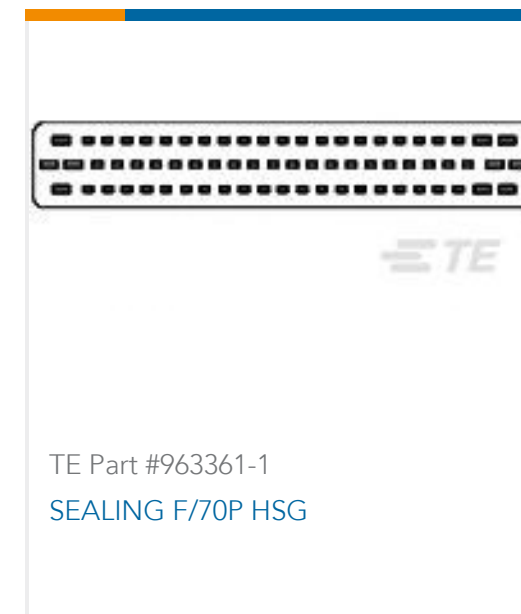


Connector Seals & Cavity Plugs(1)



Insertion & Extraction Tools(4)

Customers Also Bought



Documents

Product Drawings

[MT2/JPT70P BUGH KPL](#)

English

CAD Files

[3D PDF](#)

English

[Customer View Model](#)

[ENG_CVM_1-968879-1_A2.2d_dxf.zip](#)

English

[Customer View Model](#)

[ENG_CVM_1-968879-1_A2.3d_igs.zip](#)

English

[Customer View Model](#)

[ENG_CVM_1-968879-1_A2.3d_stp.zip](#)

English

By downloading the CAD file I accept and agree to the [Terms and Conditions](#) of use.



Datasheets & Catalog Pages

Timer Interconnection System

English

Product Specifications

70 pos. - Coupling for Junior-Power-Timer Contact & Micro - Timer Contact

English

Product Specification

English