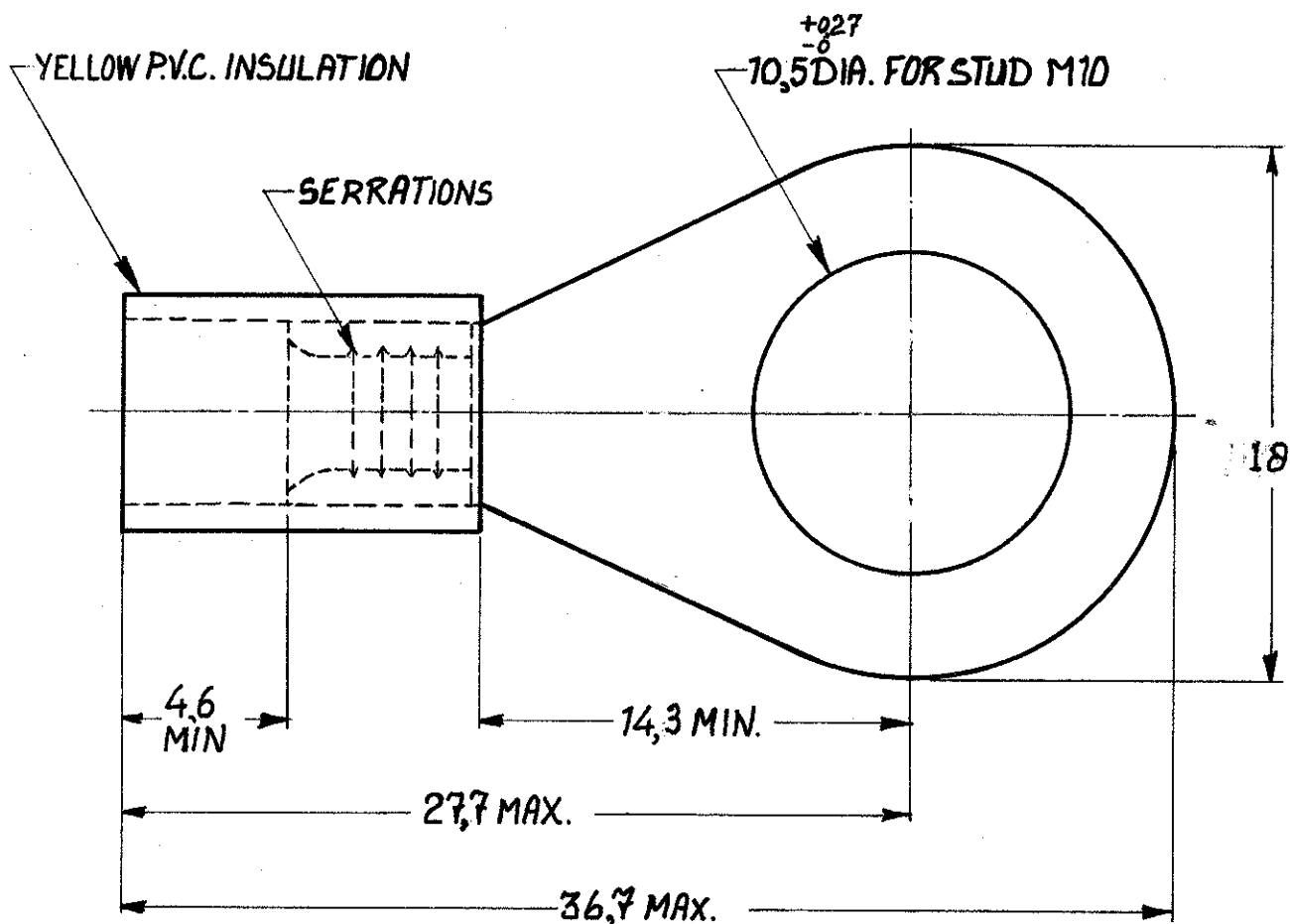


NUMBER C-165416-E



TONGUE MATERIAL THICKNESS: 10

CUSTOMER COPY FOR REFERENCE ONLY

©1970 BY AMP-HOLLAND N.V. ALL RIGHTS RESERVED A-MP PRODUCTS COVERED BY PATENTS AND/OR PATENTS PENDING.



AMP-HOLLAND N.V.
s-HERTOGENBOSCH
HOLLAND

| | | |
|-----------------------------------|-------------------------------|----------------------------|
| WIRE-RANGE 4-6 mm ² | INSUL.-RANGE 5.6 DIA. MAX. | TYPE DIN PLASTI-GRIP |
|-----------------------------------|-------------------------------|----------------------------|

| | | | | |
|--------------|----------|-----------|------------------|----------|
| SCALE 4:1 | LOC H | SIZE A | NO C-165416-E | REV 0 |
|--------------|----------|-----------|------------------|----------|

NAME
INSULATED RINGTONGUE for stud M10

| | | |
|------------------------|----------|------------|
| 165416 | COPPER | TIN |
| ORDER NO. | MATERIAL | PLATING |
| DR R. Dimer 3/11-70 | DATE | DE |
| DATE | APR | 16/11-1970 |

REV B 30-8-85
DIMENSIONS IN M.M. DO NOT SCALE PRINT