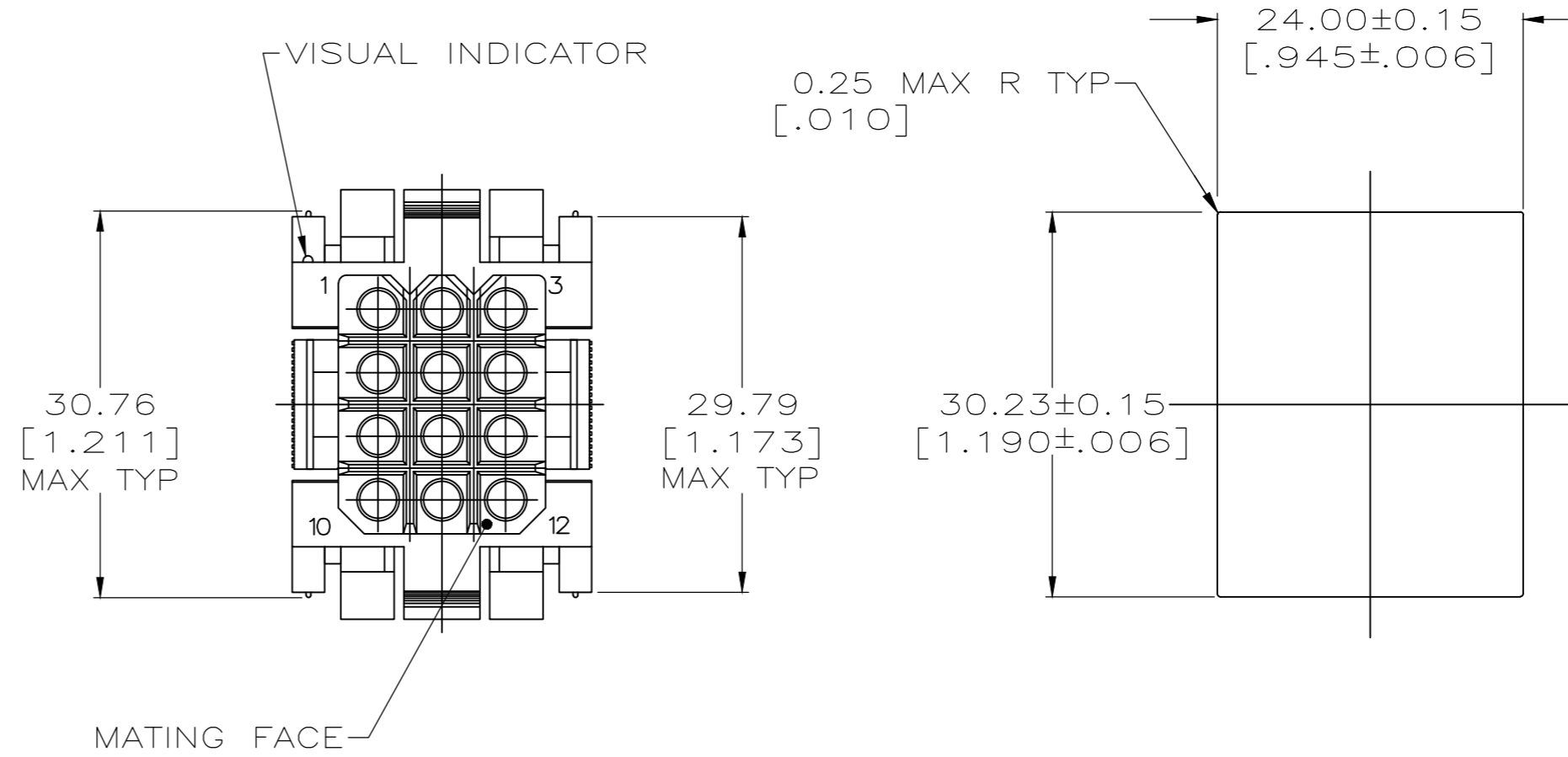
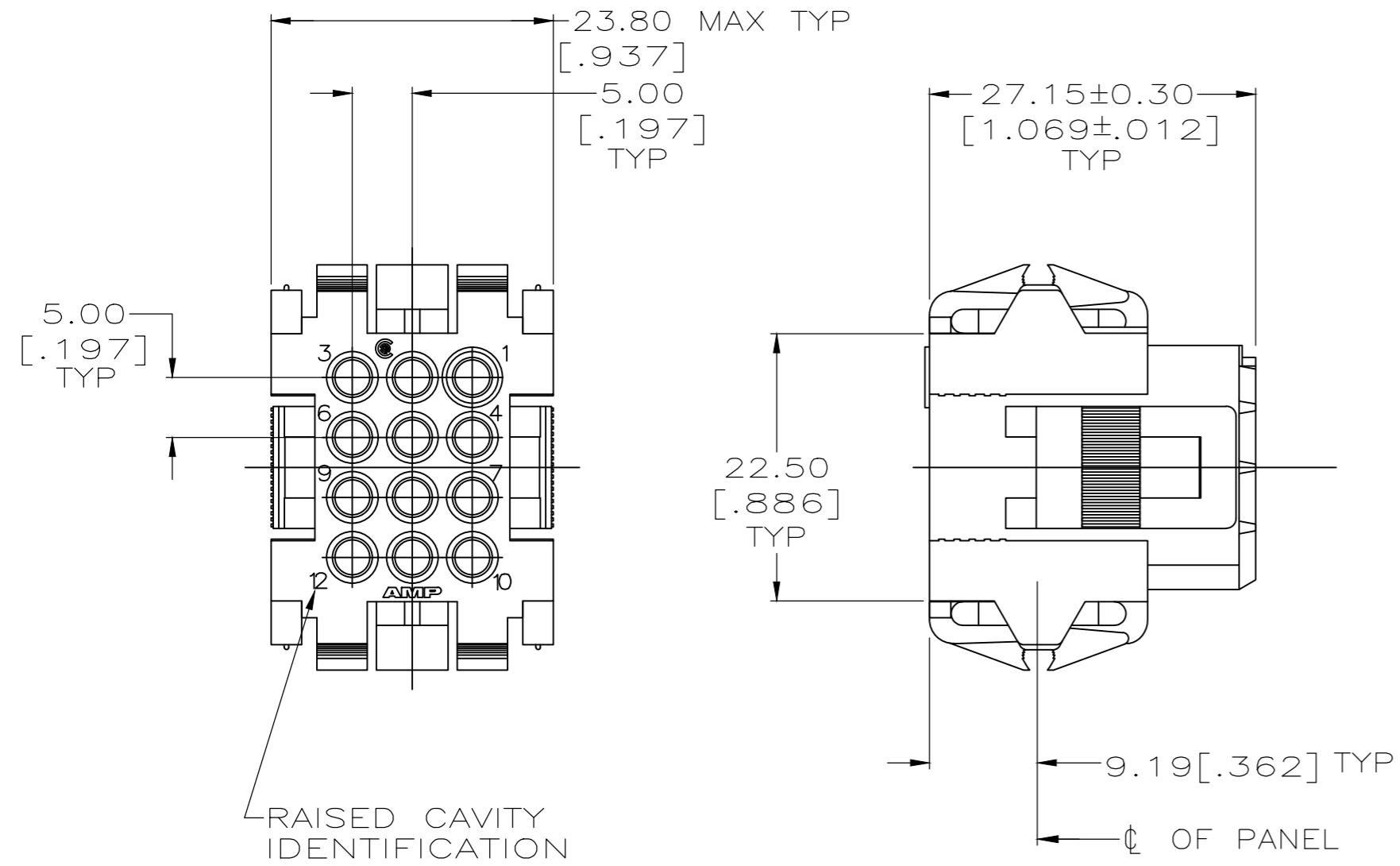


THIS DRAWING IS UNPUBLISHED. RELEASED FOR PUBLICATION
 © COPYRIGHT - TE Connectivity Ltd. ALL RIGHTS RESERVED.

REVISIONS					
P	LTR	DESCRIPTION	DATE	DWN	APVD
U		REVISED PER ECO-20-002227	19FEB2020	RK	MZ



PANEL CUTOUT

- 1. PANEL RETENTION MECHANISM ACCOMMODATES PANEL THICKNESSES FROM 0.76[.030] TO 2.29[.090].
- 2 SAME AS 207017-1 EXCEPT: ROUNDED EDGES ON THE OUTSIDE OF THE HOUSING AND A 45° ANGLE ON THE OUTSIDE OF THE HOUSING BY THE LOCKING LATCHES, REF 927676.
- 3 OBSOLETE PART NUMBER.
- 4 HOUSING MATERIAL: PA66, BLACK, UL 94 V-0 RATED.

3	2	207017-2
		207017-1
PART NUMBER		

THIS DRAWING IS A CONTROLLED DOCUMENT.		DWN W.LENKER 08/26/92	TE Connectivity	
DIMENSIONS: mm [INCHES]		CHK R.STONE 8-31-92	NAME	
TOLERANCES UNLESS OTHERWISE SPECIFIED:		APVD -	HOUSING, PLUG, 12 POSITION, METRIMATE	
0 PLC ± -		PRODUCT SPEC 108-10033	SIZE A2	CAGE CODE 00779
1 PLC ± -		APPLICATION SPEC -	DRAWING NO C=207017	RESTRICTED TO -
2 PLC ± 0.25 [.010]		WEIGHT -	SCALE 2:1	SHEET 1 of 1
3 PLC ± -		CUSTOMER DRAWING	REV U	
4 PLC ± -				
ANGLES ± -				
FINISH -				