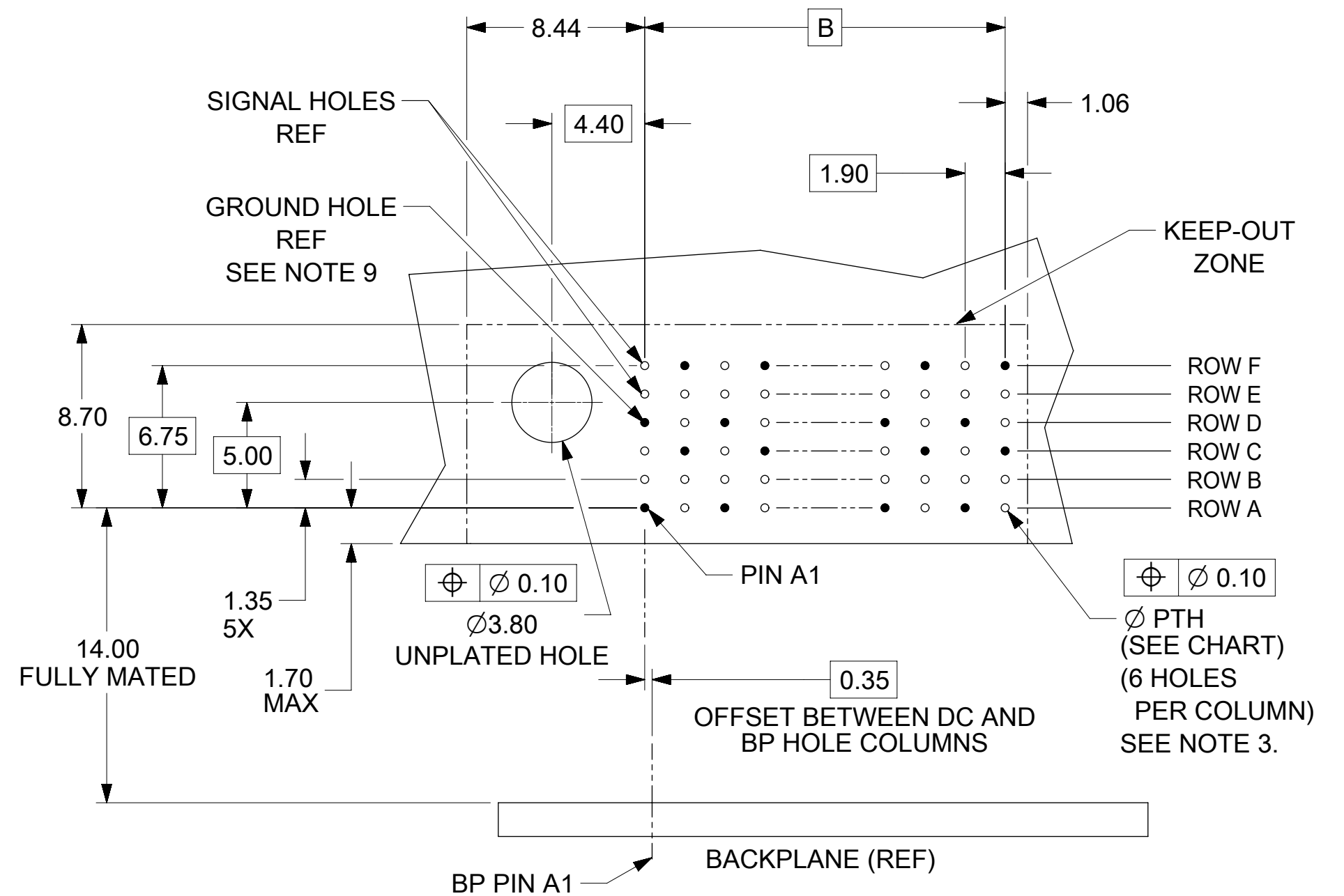
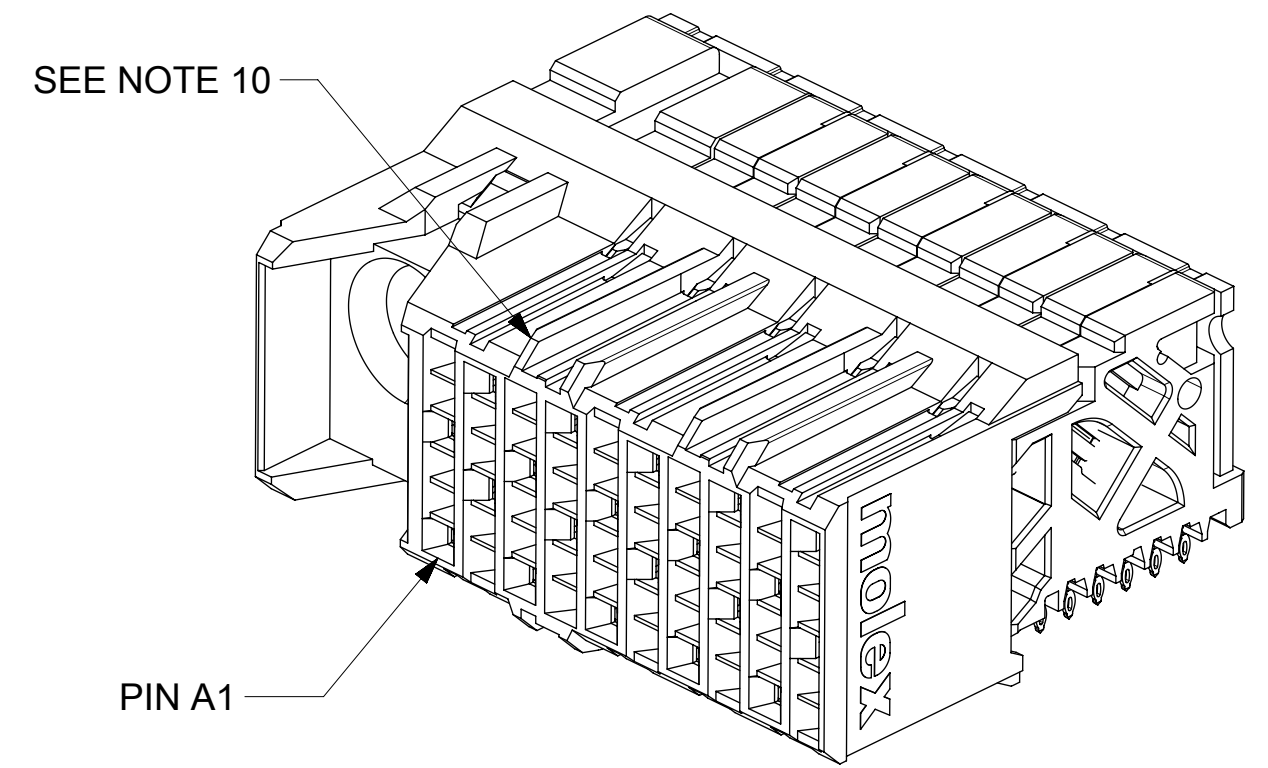
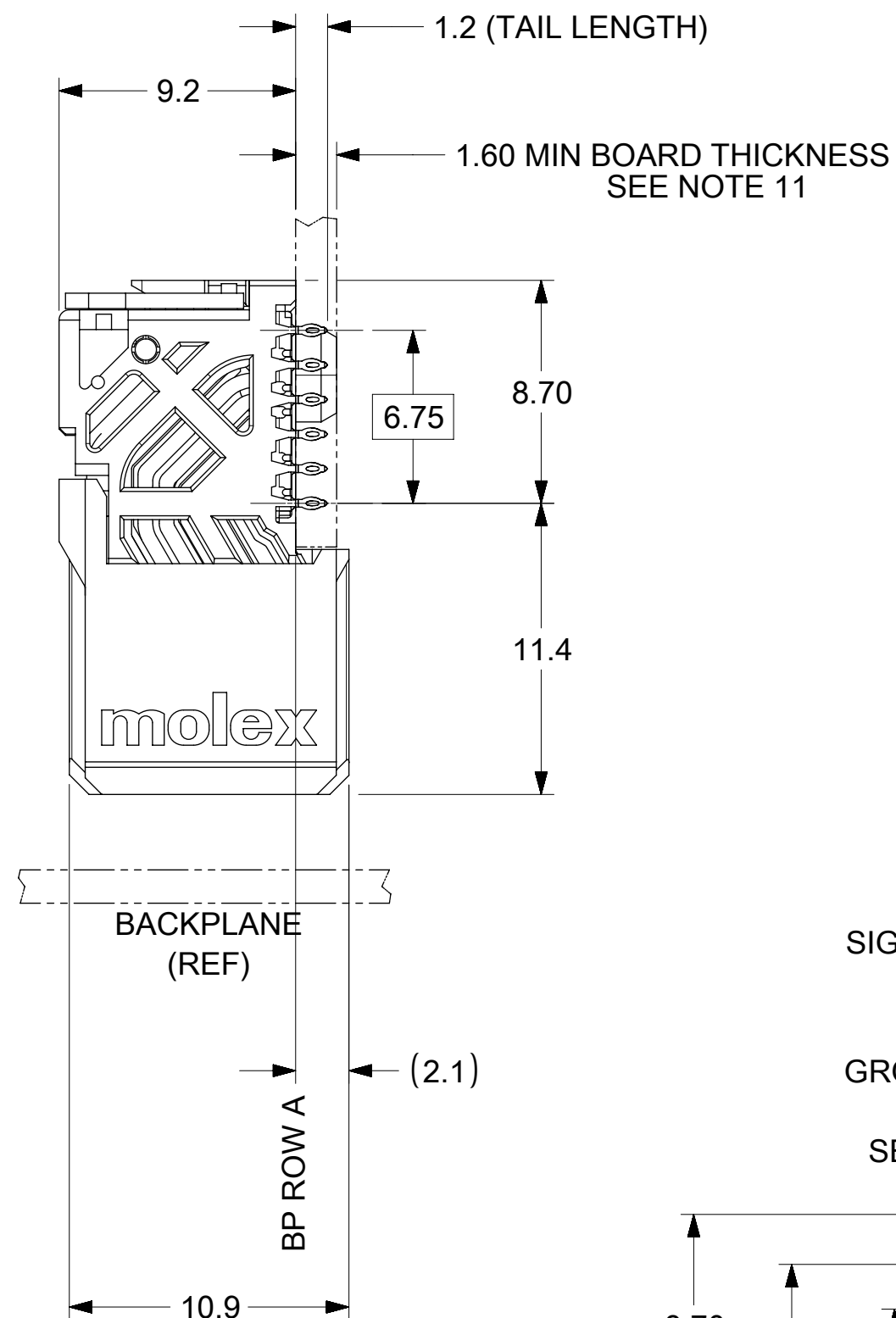


SEE NOTE 12



DAUGHTERCARD HOLE PATTERN
(CONNECTOR SIDE)

NOTES:

1. MATERIALS: HOUSING - LIQUID CRYSTAL POLYMER (LCP), GLASS-FILLED, UL94V-0
TERMINALS - HIGH PERFORMANCE COPPER ALLOY
2. FINISH: 30μ IN MIN SELECTIVE GOLD IN CONTACT AREA, SELECTIVE MATTE TIN
ON PCB TAILS. NICKEL OVERALL.
3. REFER TO MOLEX PRODUCT SPEC PS-170540-999 FOR PERFORMANCE SPECIFICATIONS
AND ADDITIONAL PCB INFORMATION.
4. EACH SIGNAL WAFER CONTAINS 2 COLUMNS OF TERMINALS.
5. PRODUCT IS PACKAGED PER PK-70873-592.
6. THIS PART CONFORMS TO CLASS B REQUIREMENTS OF COSMETIC SPEC PS-45499-002.
7. REFER TO MOLEX SALES DRAWING SD-171065-0003 OR RSD-171062-XXXX FOR THE
MATING HEADERS.
8. REFER TO MOLEX PCB ROUTING GUIDE AS-76060-990 FOR THE ANTIPAD AND
ROUTING RECOMMENDATIONS.
9. GROUND PATHS ARE NOT DISCRETE CIRCUITS WITHIN CONNECTOR DUE TO
PRESENCE OF PLUS CLIP.
10. PART NUMBER 171070-3020 SHOWN ON DRAWING. KEYING FEATURES WILL CHANGE
WITH COLUMN SIZE.
11. WHEN USING MOLEX SUPPLIED # 2-32 SCREW 73726-4000 (4.31mm±0.38
THREADABLE SCREW LENGTH), MIN. BOARD THICKNESS IS 1.6mm FOR
SCREW/BOSS FUNCTIONALITY.
12. MARKING: LOCATED APPROXIMATELY AS SHOWN. PART NUMBER AND DATE CODE.

THIS DRAWING CONTAINS INFORMATION THAT IS PROPRIETARY TO MOLEX ELECTRONIC TECHNOLOGIES, LLC AND SHOULD NOT BE USED WITHOUT WRITTEN PERMISSION									
DIMENSION UNITS		SCALE		CURRENT REV DESC: MIGRATED TO NX					
mm		NTS		<p>IMPACT 85 OHM DC 2 PAIR SIGNAL MODULE GUIDE LEFT ASSY DWG</p> <p>PRODUCT CUSTOMER DRAWING</p> <p>DOCUMENT NUMBER: SD-171070-0002 DOC TYPE: PSD DOC PART: 001 REVISION: A2</p> <p>MATERIAL NUMBER: SEE CHART CUSTOMER: GENERAL MARKET SHEET NUMBER: 1 OF 2</p>					
GENERAL TOLERANCES (UNLESS SPECIFIED)									
ANGULAR TOL ± 0.5°									
4 PLACES ±									
3 PLACES ±									
2 PLACES ± 0.13									
1 PLACE ± 0.25									
0 PLACES ±				INITIAL REVISION:					
DRAFT WHERE APPLICABLE MUST REMAIN WITHIN DIMENSIONS		THIRD ANGLE PROJECTION		DRAWING		SERIES			
				C-SIZE		171070			

MATERIAL NUMBER	# OF COLUMNS	# OF DIFF PAIR	DIM "A" MAX	DIM "B"	PTH \varnothing
171070-3010	10	20	26.60	17.10	0.46 ± 0.05
171070-3016	16	32	38.00	28.50	
171070-3020	10	20	26.60	17.10	0.39 ± 0.05
171070-3026	16	32	38.00	28.50	

171070- *0**

MODULE & TAIL PLATING TYPE
3 = LEFT GUIDED LEAD-FREE

OF COLUMNS
10 = 10 COL 0.46 PTH
16 = 16 COL 0.46 PTH
20 = 10 COL 0.39 PTH
26 = 16 COL 0.39 PTH

THIS DRAWING CONTAINS INFORMATION THAT IS PROPRIETARY TO MOLEX ELECTRONIC TECHNOLOGIES, LLC AND SHOULD NOT BE USED WITHOUT WRITTEN PERMISSION									
DIMENSION UNITS		SCALE		CURRENT REV DESC: MIGRATED TO NX				molex	
mm		NTS							
GENERAL TOLERANCES (UNLESS SPECIFIED)				EC NO: 612533				IMPACT 85 OHM DC	
ANGULAR TOL $\pm 0.5^\circ$				DRWN: JKUMARSARAFS 2018/11/21				2 PAIR SIGNAL MODULE GUIDE LEFT ASSY DWG	
4 PLACES \pm				CHK'D: TMARRI 2019/02/21				PRODUCT CUSTOMER DRAWING	
3 PLACES \pm				APPR: BOKOK 2019/03/01					
2 PLACES ± 0.13				INITIAL REVISION:				DOCUMENT NUMBER	
1 PLACE ± 0.25				DRWN: TPREMO 2012/09/14				SD-171070-0002	
0 PLACES \pm				APPR: TELO 2013/02/01				DOC TYPE	
DRAFT WHERE APPLICABLE MUST REMAIN WITHIN DIMENSIONS				THIRD ANGLE PROJECTION		DRAWING		DOC PART	
						C-SIZE		REVISION	
						SERIES		MATERIAL NUMBER	
						171070		CUSTOMER	
						SEE CHART		GENERAL MARKET	
								SHEET NUMBER	
								2 OF 2	

DOCUMENT STATUS	P1	RELEASE DATE	2019/03/01 07:25:46
-----------------	----	--------------	---------------------