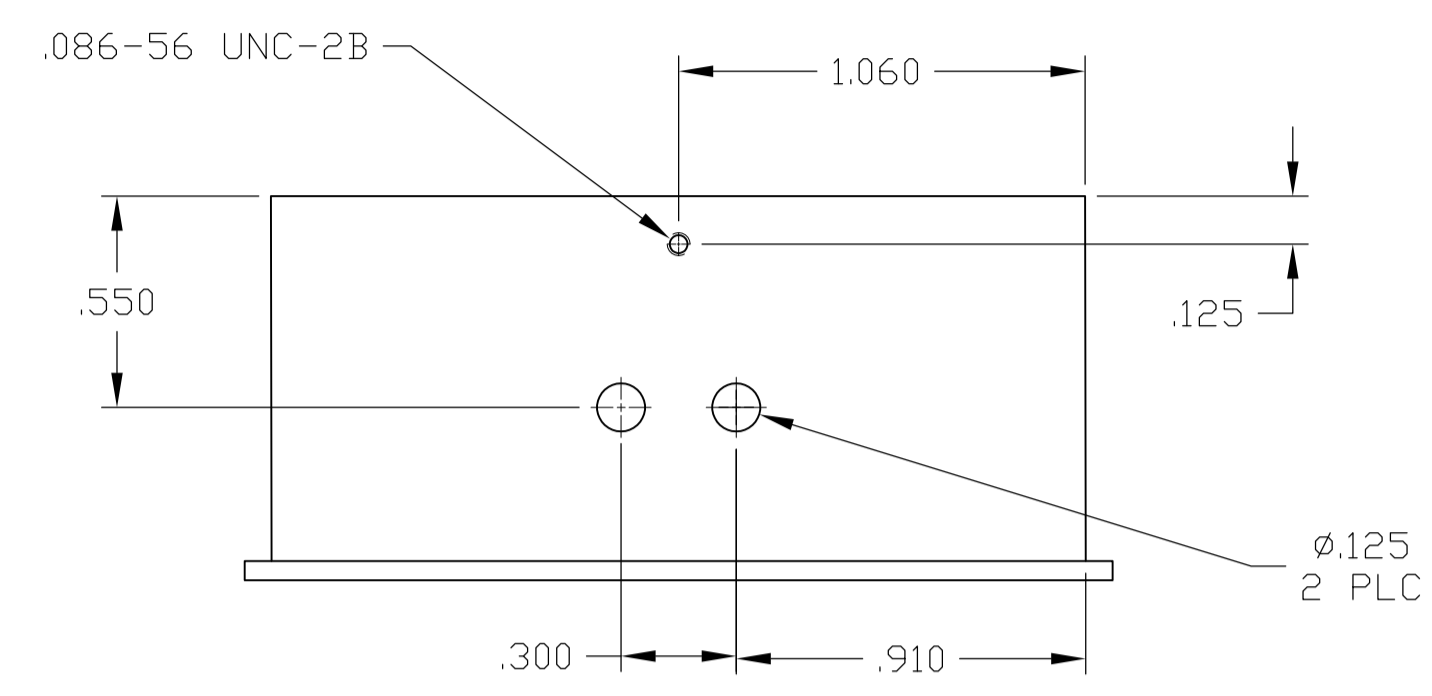


- 1 MAT'L: ALUMINUM ALLOY 6061-T4 OR T6.
- 2 FINISH: CHROMATE PLATE (IRRIDITE); CLEAR CHROMATE PER MIL-C-5541
- 3. DUST COVER INSTALLED BUT NOT SHOWN.
- 4 MARKED PER MIL-STD-130 IN APPROX AREA SHOWN.
- 5. SCREWS & FASTENERS: MAT'L: STAINLESS STEEL. FINISH: PASSIVATED
- 6. MEETS THE REQUIREMENTS OF HONEYWELL 440-1216-001 AND -002

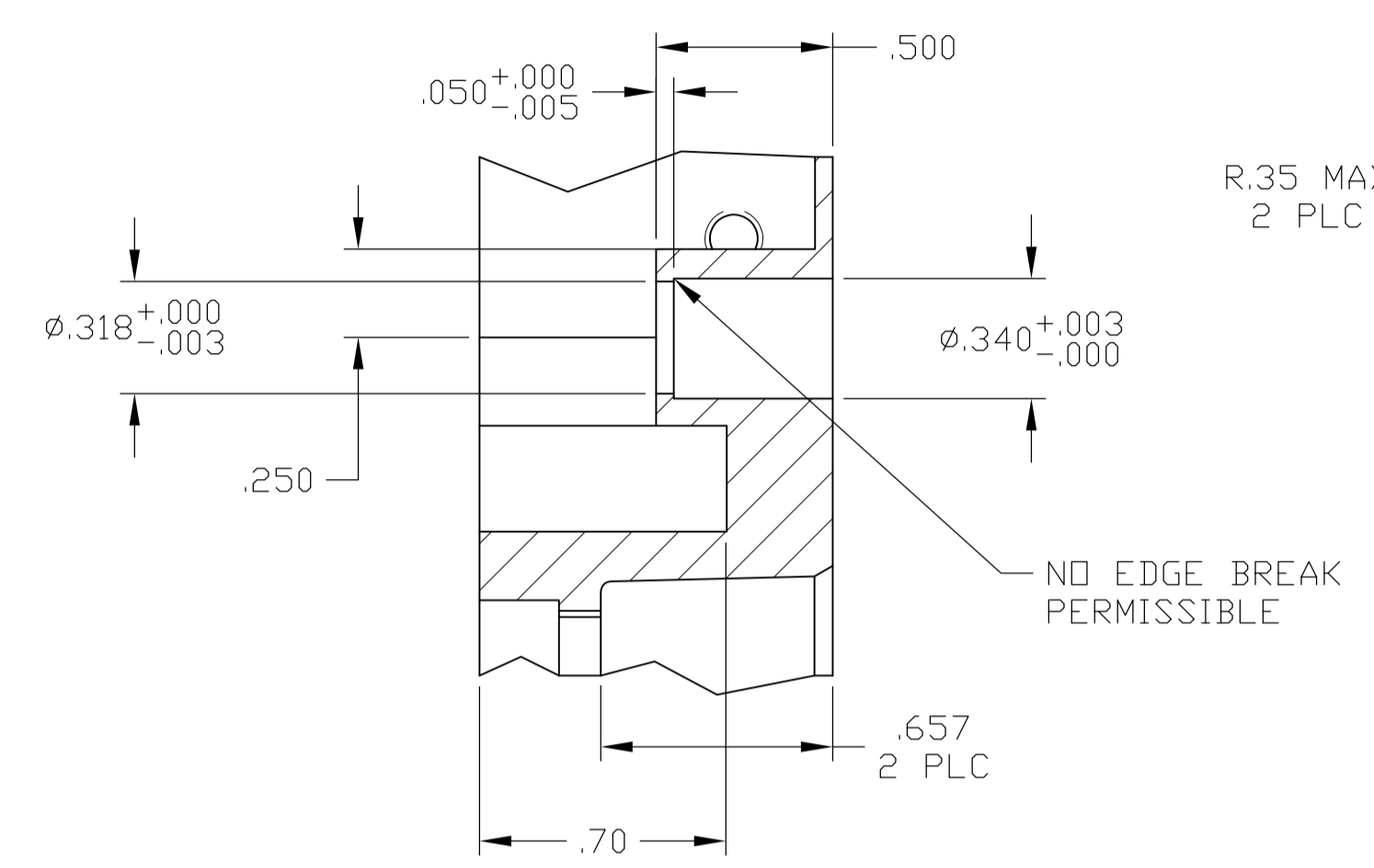
OBSOLETE	SEE VIEW E-E	1484843-2
	AS SHOWN	1484843-1
	REMARKS	PART NO.

THIS DRAWING IS A CONTROLLED DOCUMENT.		DIN C.C.THOMAS 15MAY2002		APVD LARRY OH 1-9-03		NAME		ARINC 404 SPECIAL,R2R40P40P-0015 (200)	
DIMENSIONS: INCHES		TOLERANCES UNLESS OTHERWISE SPECIFIED:		APPLICATION SPEC		SIZE		CAGE CODE DRAWING NO	
0 PLC ± .01		1 PLC ± .01		1		A1		00779	
1 PLC ± .01		2 PLC ± .01		2		1484843		1484843	
2 PLC ± .01		3 PLC ± .005		3		1		1	
3 PLC ± .005		4 PLC ± .005		4		1		1	
4 PLC ± .005		ANGLES ± .01		MATERIAL		WEIGHT		CUSTOMER DRAWING	
SEE CALLOUTS		SEE CALLOUTS		SCALE		SHEET		REV	
				1:1		1 OF 2		J	

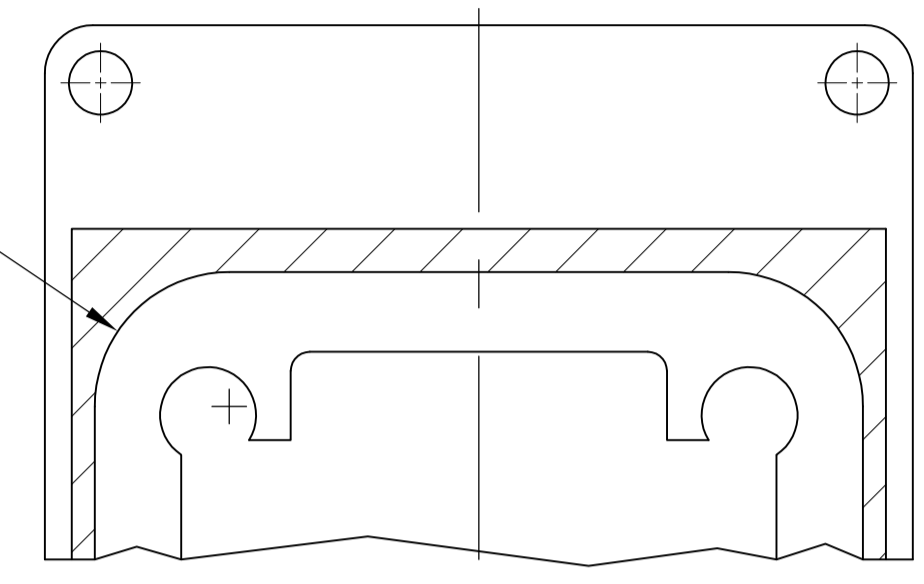
LOC		DIST		REVISIONS				
DF	AO	REV	DATE	DESCRIPTION	DATE	BY	APPV	
-	-	1	-	SEE SHEET 1	-	-	-	



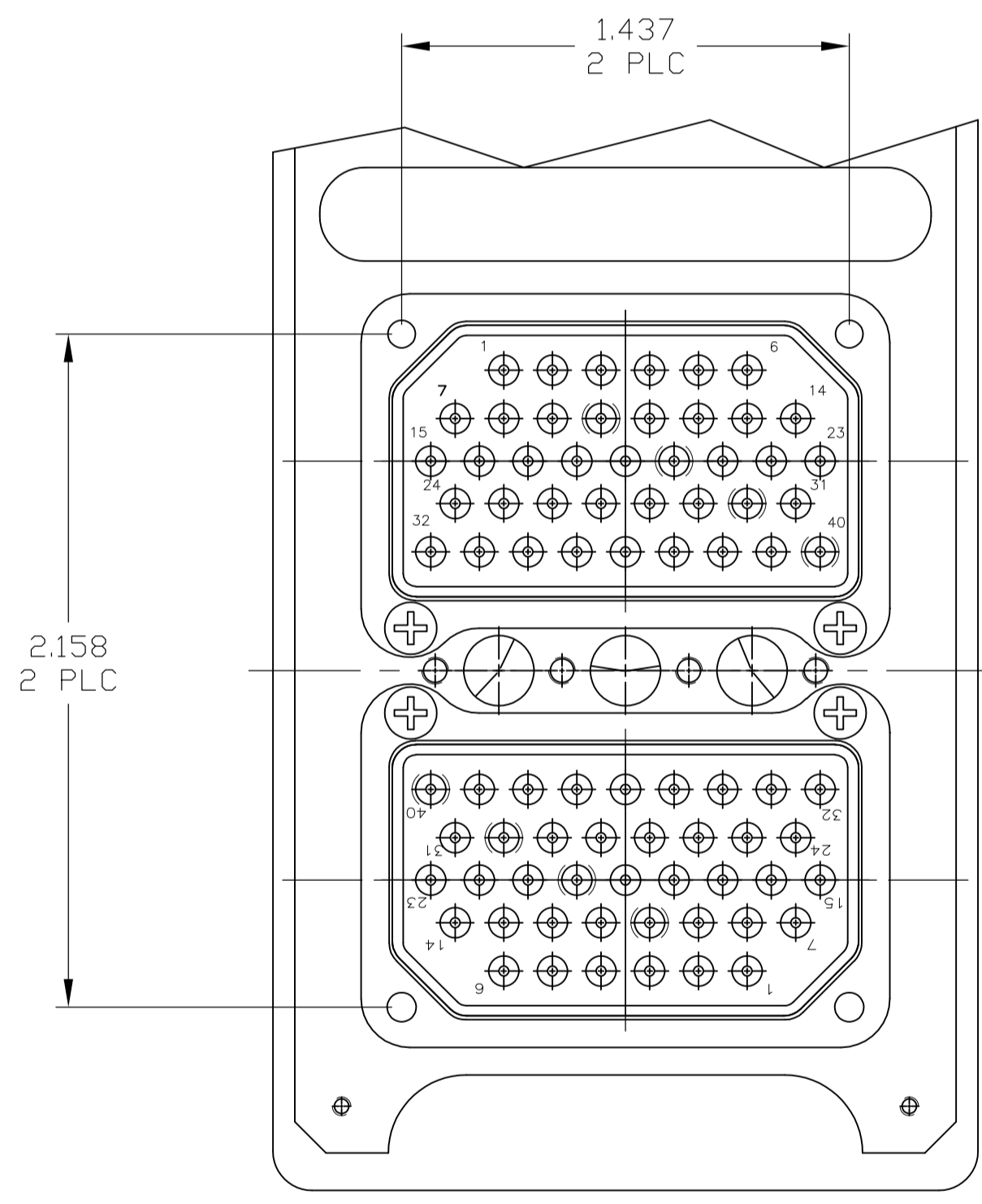
VIEW E-E
VIEW FOR 1484897-2 ONLY
DIMENSIONS SAME AS 1484897-1
EXCEPT AS SHOWN
SCALE 2:1
SHOWN WITHOUT INSERT & PINS



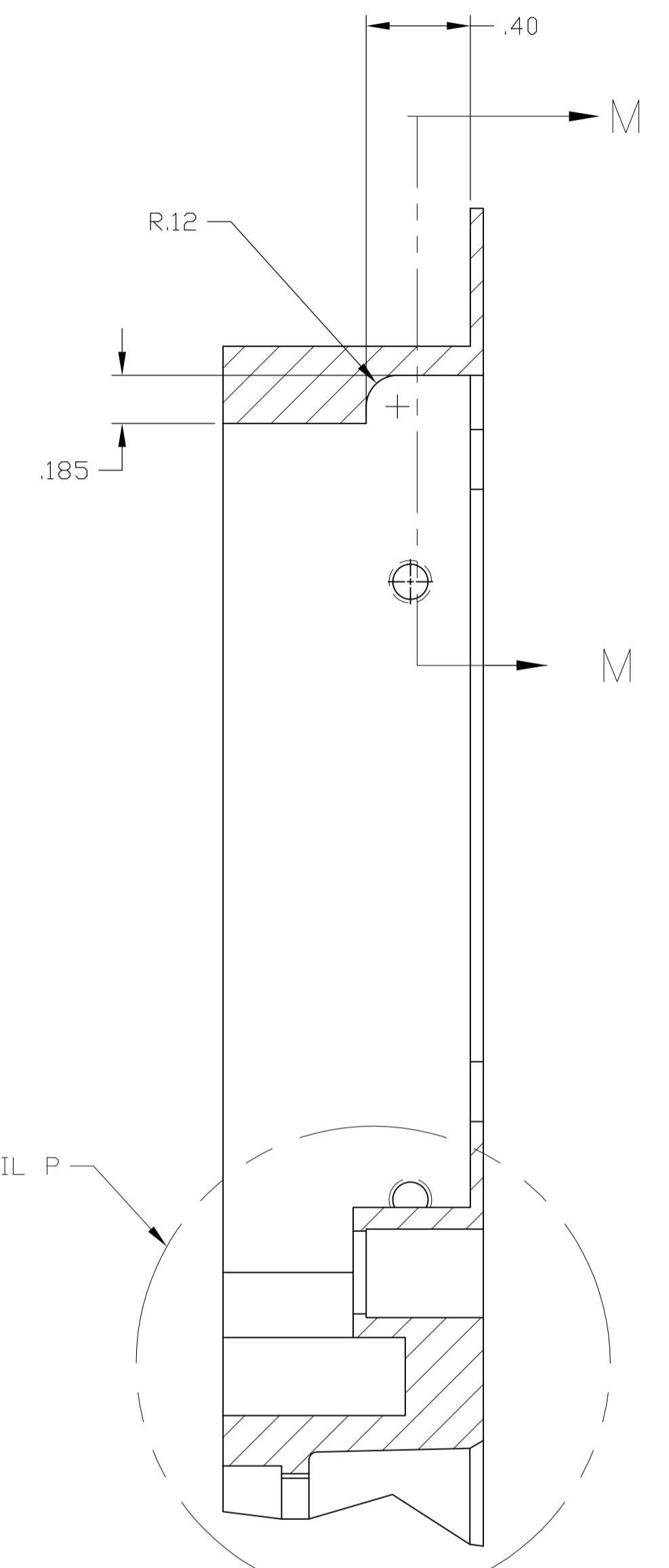
DETAIL P
SCALE 2:1



SECTION M-M
SCALE 2:1



DETAIL F
SCALE 2:1



SECTION S-S
SCALE 2:1

SEE DETAIL P

THIS DRAWING IS A CONTROLLED DOCUMENT.		DIN C.C.THOMAS 14MAY02		TE Connectivity	
DIMENSIONS: INCHES		TOLERANCES UNLESS OTHERWISE SPECIFIED:			
		0 PLC ± -	1 PLC ± -	APVD LARRY OH	
		2 PLC ± .01	3 PLC ± .005	NAME -	
		4 PLC ± -	ANGLES ± 1°	PRODUCT SPEC -	
MATERIAL SEE SHEET #1		FINISH SEE SHEET #1		APPLICATION SPEC -	
				SIZE A1	CAGE CODE 00779
				DRAWING NO. 1484843	
				RESTRICTED TO -	
				CUSTOMER DRAWING	
				SCALE 1:1	SHEET 2 OF 2
				REV J	