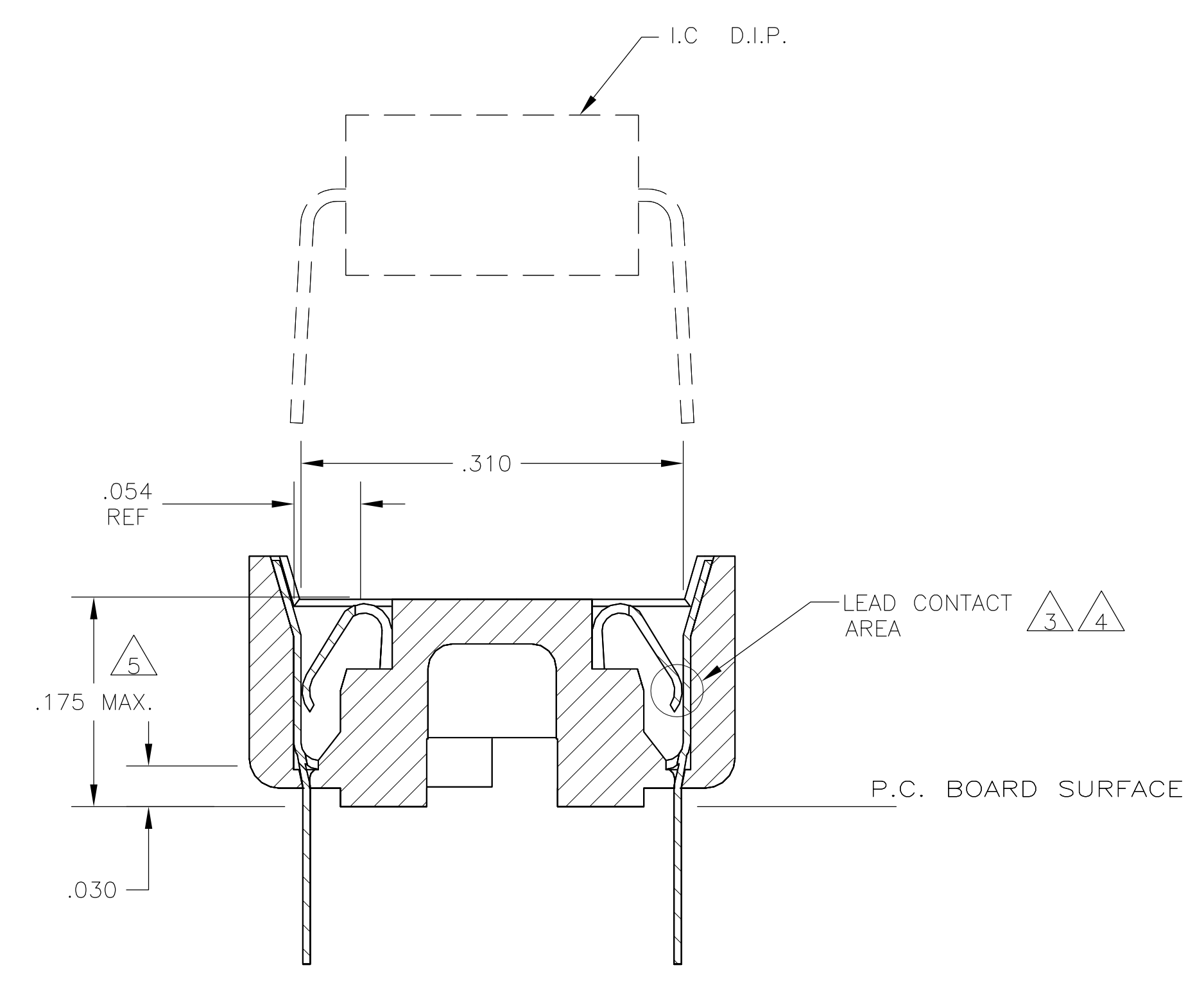
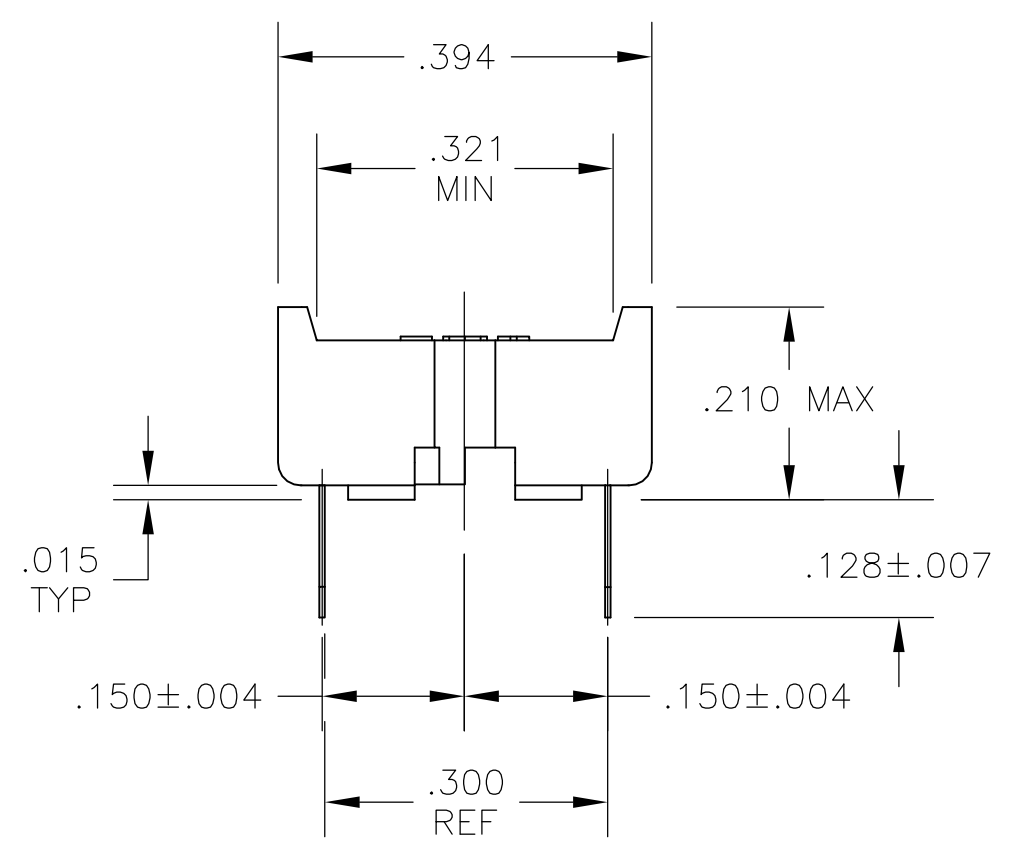
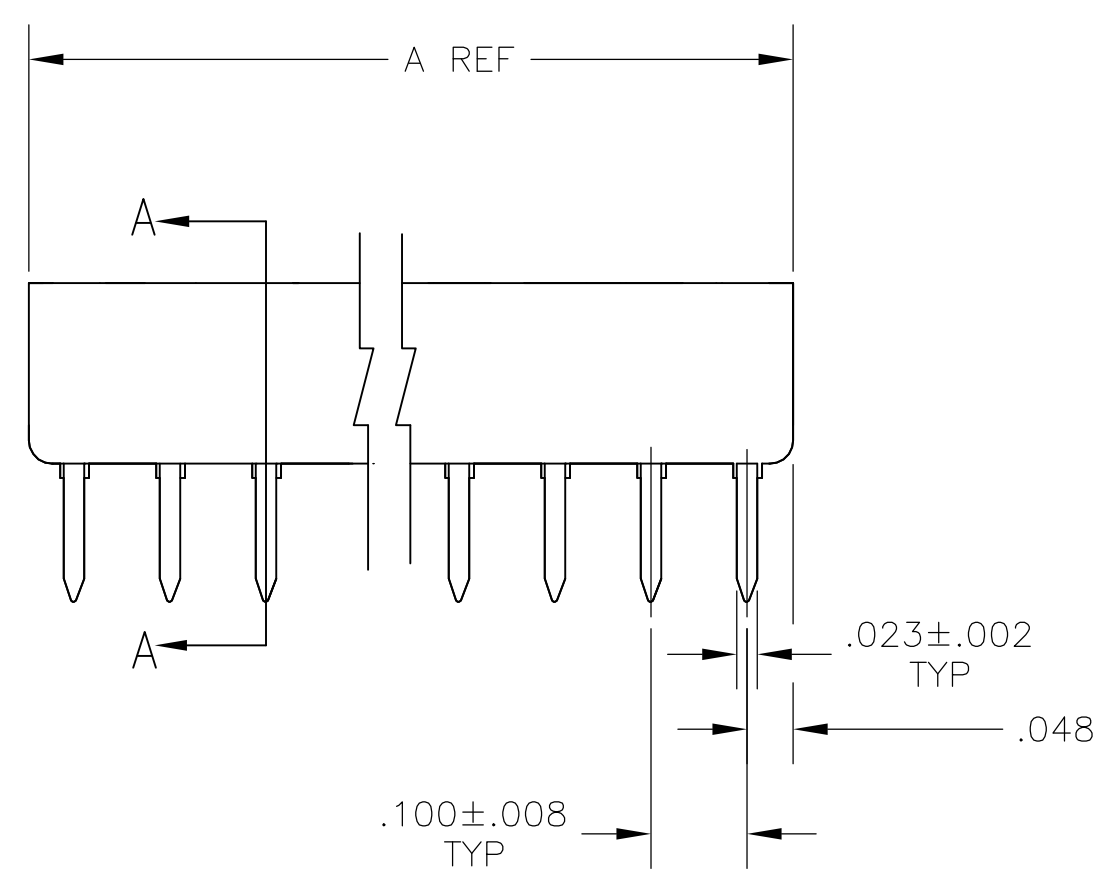
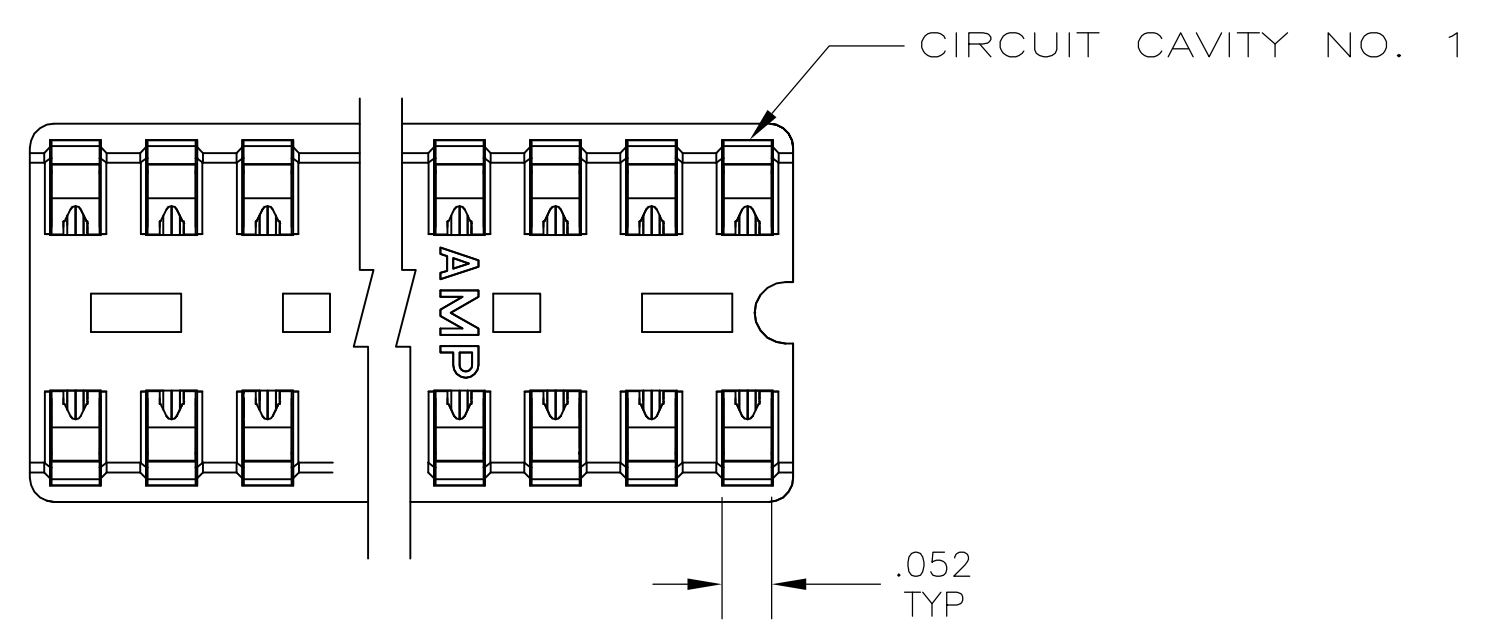
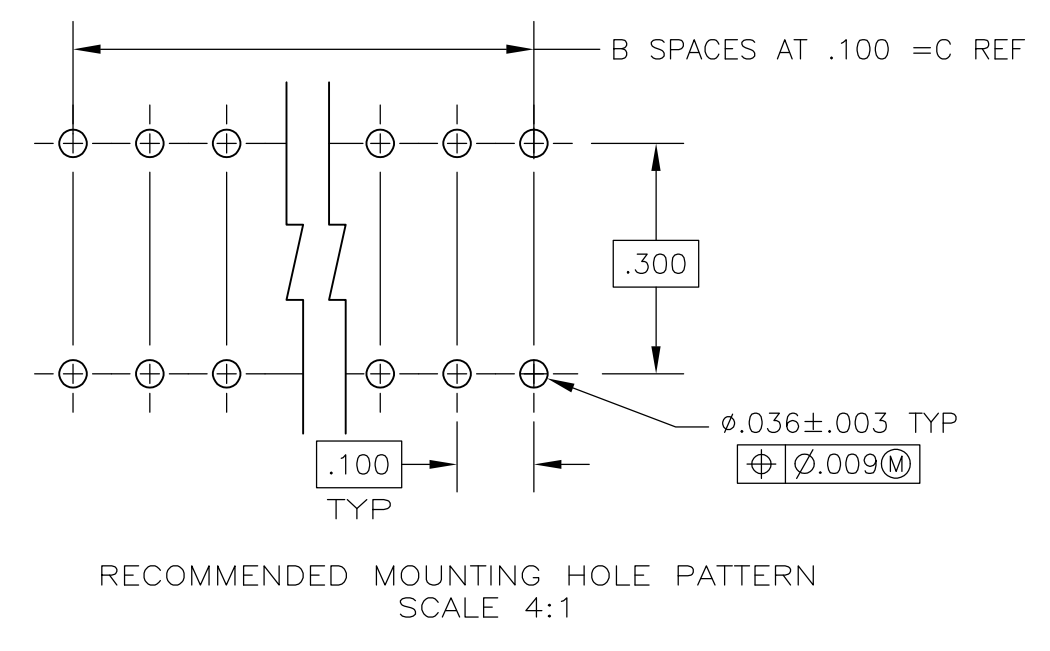


- RECEPTACLE ACCEPTS A .008-.014 THICK I.C. LEAD.
- TUBE LOADED FOR AUTOMATIC INSERTION.
- BEU CONTACT-PLATED WITH TWO .000030 MIN THK. GOLD STRIPES IN CONTACT AREA WITH TIN ON CONTACT LEGS, BALANCE OF CONTACT NICKEL PLATED.
- PHOS. BRONZE CONTACT- PLATED WITH TWO .000015 MIN THK. GOLD STRIPES IN CONTACT AREA WITH TIN ON CONTACT LEGS, BALANCE OF CONTACT NICKEL PLATED.
- MAXIMUM DIMENSION FOR I.C. SEATING PLANE.
- HOUSING MATERIAL-GLASS FILLED THERMOPLASTIC, BLACK, 94V-0



SECTION A-A
SCALE 10:1



	CONTACT & FINISH	DIM C	B SPCS	DIM A	POSITION	PART NO.
	3	.900	9	.995	20	1-1825093-6
	3	.800	8	.895	18	1-1825093-5
	3	.700	7	.795	16	1-1825093-4
	3	.600	6	.695	14	1-1825093-3
	3	.300	3	.395	8	1-1825093-2
(B) OBSOLETE	3	.200	2	.295	6	1-1825093-1
	4	.900	9	.995	20	1825093-6
(B) OBSOLETE	4	.800	8	.895	18	1825093-5
	4	.700	7	.795	16	1825093-4
	4	.600	6	.695	14	1825093-3
	4	.300	3	.395	8	1825093-2
(B) OBSOLETE	4	.200	2	.295	6	1825093-1

THIS DRAWING IS A CONTROLLED DOCUMENT.

DIMENSIONS: INCHES

TOLERANCES UNLESS OTHERWISE SPECIFIED:

0. PLC	± .005
1. PLC	± .002
2. PLC	± .001
3. PLC	± .0005
4. PLC	± .0002
ANGLES	± .001

MATERIAL: - FINISH: -

THIS DRAWING IS A CONTROLLED DOCUMENT. BY: S.VISWESWARA, 20APR2005. CHK: K.WRIGHT. NAME: -

PRODUCT SPEC: - APPLICATION SPEC: -

SIZE: A1, CAGE CODE: 00779, DRAWING NO: 1825093, WEIGHT: -

CUSTOMER DRAWING, SCALE: 5:1, SHEET: 1 OF 1, REV: B

STE TE Connectivity

DIP SOCKET ASSY, CLOSED, DIPLOMATE, .300 CL, LEAD FREE