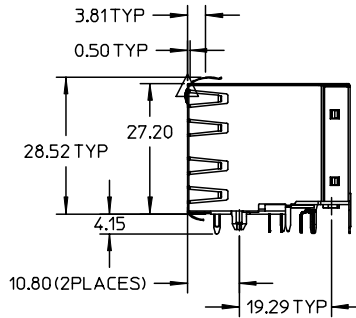
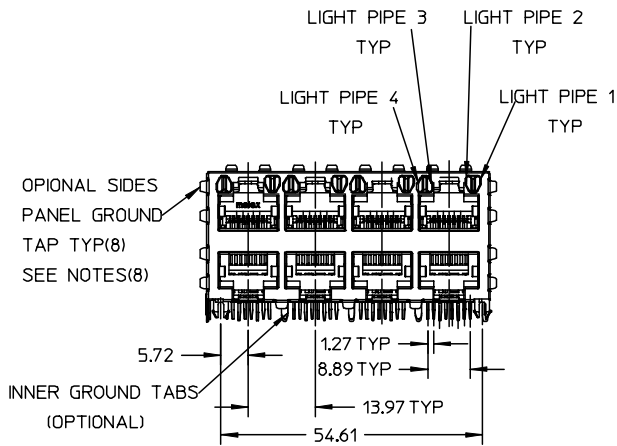
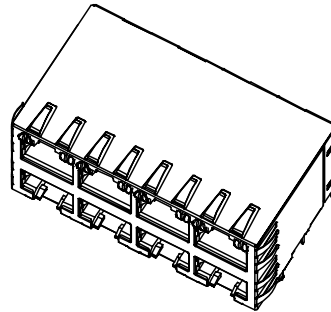
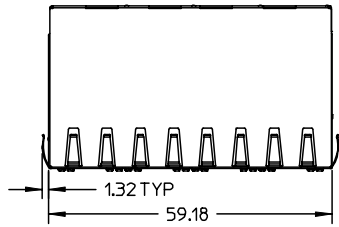


ASSEMBLY MATERIAL No.	No. OF PORTS	PEG STYLE	DIM-A	DIM-B	SIDE PANEL GROUND TABS	INNER GROUND TABS
67838-0081	8 (2X4)	SNAP-FIT	59.18	53.34	YES	YES
67838-2081	8 (2X4)	SNAP-FIT	59.18	53.34	NO	YES
67838-3081	8 (2X4)	SNAP-FIT	59.18	53.34	YES	NO
67838-4081	8 (2X4)	SNAP-FIT	59.18	53.34	NO	NO
67838-0084	8 (2X4)	PRESS-FIT	59.18	53.34	YES	YES
67838-2084	8 (2X4)	PRESS-FIT	59.18	53.34	NO	YES
67838-3084	8 (2X4)	PRESS-FIT	59.18	53.34	YES	NO
67838-4084	8 (2X4)	PRESS-FIT	59.18	53.34	NO	NO
67838-0082	12(2X6)	SNAP-FIT	87.12	81.28	YES	YES
67838-2082	12(2X6)	SNAP-FIT	87.12	81.28	NO	YES
67838-3082	12(2X6)	SNAP-FIT	87.12	81.28	YES	NO
67838-4082	12(2X6)	SNAP-FIT	87.12	81.28	NO	NO
67838-0085	12(2X6)	PRESS-FIT	87.12	81.28	YES	YES
67838-2085	12(2X6)	PRESS-FIT	87.12	81.28	NO	YES
67838-3085	12(2X6)	PRESS-FIT	87.12	81.28	YES	NO
67838-4085	12(2X6)	PRESS-FIT	87.12	81.28	NO	NO
67838-0083	16(2X8)	SNAP-FIT	115.06	109.22	YES	YES
67838-2083	16(2X8)	SNAP-FIT	115.06	109.22	NO	YES
67838-3083	16(2X8)	SNAP-FIT	115.06	109.22	YES	NO
67838-4083	16(2X8)	SNAP-FIT	115.06	109.22	NO	NO
67838-0806	16(2X8)	PRESS-FIT	115.06	109.22	YES	YES
67838-2806	16(2X8)	PRESS-FIT	115.06	109.22	NO	YES
67838-3806	16(2X8)	PRESS-FIT	115.06	109.22	YES	NO
67838-4806	16(2X8)	PRESS-FIT	115.06	109.22	NO	NO

- NOTES:
- MATERIAL:
 - HOUSING: POLYESTER(PBT), GLASS FILLED,UL94V-0.COLOR: BLACK.
 - LIGHT PIPES: POLYCARBONATE,UL94V-0. COLOR: CLEAR.
 - TERMINALS: PHOSPHOR BRONZE.
 - SHIELD: BRASS.
 - PLATING:
 - TERMINALS: 50u" MIN. GOLD PLATE AND 50u" MIN.PURE TIN PLATE OVER 50u" MIN. NICKEL UNDERPLATE.
 - SHIELD: SELECTIVE 50u" MIN. PURE TIN PLATE AT SOLDERING TAILS OVER 50u" MIN. NICKEL UNDERPLATE.
 - PRODUCT SPECIFICATION: PS-67838-002.
 - PACKAGING: CONNECTOR ASSEMBLY IN THERMOFORMED TRAY.
 - CONNECTORS AVAILABLE WITH EITHER SNAP-FIT OR PRESS-FIT PEGS.
 - CONFORMS TO FCC REGULATION PART 68.5 FOR MODULAR JACKS.
 - P.C.B LAYOUT SHOWN AS RECOMMEND LAYOUT (SHEET 2).
 - AVAILABLE WITH THE (8) PANEL GROUND TABS REMOVE ON EACH SIDE FOR SIDE TO SIDE STACKABILITY.
 - TERMINAL LENGTH MAY BE DIFFERENT FROM TERMINAL TO TERMINAL.

NEW RELEASE EC NO: SH2006-0055 DRWN: DHU CHK: CHIK APPR: YTYAP	DESCRIPTION REV	QUALITY SYMBOLS	GENERAL TOLERANCES (UNLESS SPECIFIED)	SCALE 1:1	DESIGN UNITS METRIC	THIRD ANGLE PROJECTION	REVISE ON CAD ONLY	
		-0 -0	mm	INCH	DIMENSION STYLE		STACKED MODULAR JACK WITH LIGHT PIPES LEAD-FREE MOLEX INCORPORATED	
			4 PLACES ± ---	± ---	MM ONLY			
			3 PLACES ± ---	± ---	DRAWN BY DAVID HU	DATE 2005/08/10		
2 PLACES ± 0.25	± ---	1 PLACE ± 0.3	± ---	CHECKED BY HARVEY	DATE 2005/08/10	MATERIAL NO. SEE CHART	DOCUMENT NO. SD-67838-002	
DRAFT WHERE APPLICABLE			ANGULAR ± 1/2 °		APPROVED BY VINCENT	DATE 2005/08/10	SHEET NO. 1 OF 4	
MUST REMAIN WITHIN DIMENSIONS			THIS DRAWING CONTAINS INFORMATION THAT IS PROPRIETARY TO MOLEX INCORPORATED AND SHOULD NOT BE USED WITHOUT WRITTEN PERMISSION					



NOTES:

1.MATERIAL:

HOUSING: POLYESTER(PBT), GLASS FILLED,UL94V-0.COLOR: BLACK.
 LIGHT PIPES: POLYCARBONATE,UL94V-0.COLOR: CLEAR.
 TERMINALS: PHOSPHOR BRONZE.
 SHIELD: BRASS.

2.PLATING:

TERMINALS: 50u" MIN. GOLD PLATE AND 50u" MIN.PURE TIN PLATE OVER 50u" MIN. NICKEL UNDERPLATE.
 SHIELD: SELECTIVE 50u" MIN. PURE TIN PLATE AT SOLDERING TAILS OVER 50u" MIN. NICKEL UNDERPLATE.

3.PRODUCT SPECIFICATION: PS-67838-002.

4.PACKAGING: CONNECTOR ASSEMBLY IN THERMOFORMED TRAY.

5.CONNECTORS AVAILABLE WITH PRESS-FIT PEGS ONLY.

6.CONFORMS TO FCC REGULATION PART 68.5 FOR MODULAR JACKS.

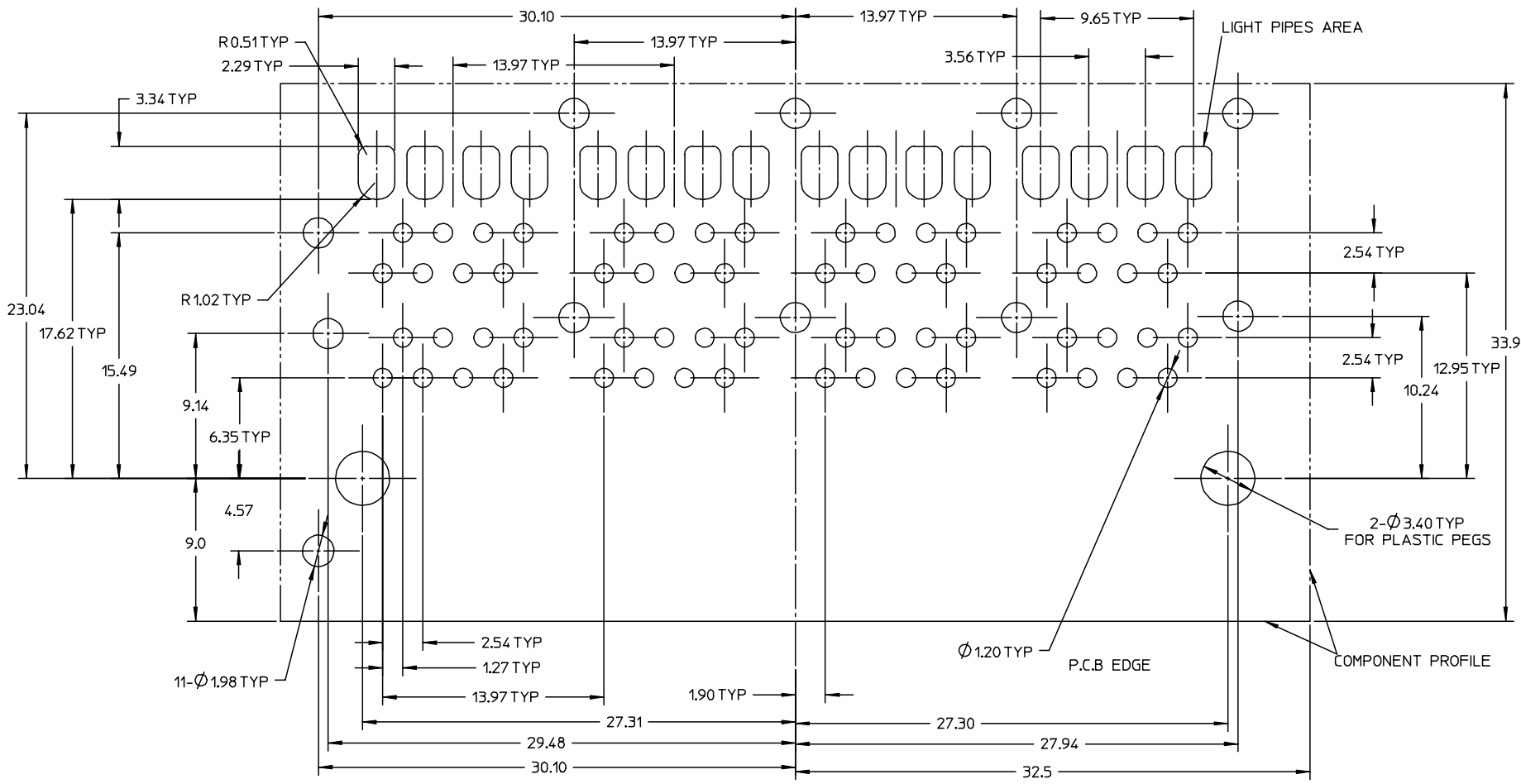
7.P.C.B LAYOUT SHOWN AS RECOMMEND LAYOUT (SHEET 4).

8.AVAILABLE WITH THE (8) PANEL GROUND TABS REMOVE ON EACH SIDE FOR SIDE TO SIDE STACKABILITY.

9.TERMINAL LENGTH MAY BE DIFFERENT FROM TERMINAL TO TERMINAL.

ASSEMBLY MATERIAL NO.	NO. OF PORTS	PEGS STYLE	SIDE PANEL GROUND TABS	INNER SHIELD GROUND TABS
67838-0184	8(2X4)	SNAP-FIT	YES	YES
67838-2184	8(2X4)	SNAP-FIT	NO	YES
67838-3184	8(2X4)	SNAP-FIT	YES	NO
67838-4184	8(2X4)	SNAP-FIT	NO	NO

NEW RELEASE EC NO: SH2006-0055 DRWN:DHU 2005/10/24 CHKD: 2005/11/08 APPR: YTYAP 2005/11/09	QUALITY SYMBOLS	GENERAL TOLERANCES (UNLESS SPECIFIED)	SCALE 1:1	DESIGN UNITS METRIC	THIRD ANGLE PROJECTION	REVISE ON CAD ONLY															
	▽ = 0 ▽ = 0	<table border="1"> <thead> <tr> <th></th> <th>mm</th> <th>INCH</th> </tr> </thead> <tbody> <tr> <td>4 PLACES</td> <td>± ---</td> <td>± ---</td> </tr> <tr> <td>3 PLACES</td> <td>± ---</td> <td>± ---</td> </tr> <tr> <td>2 PLACES</td> <td>± 0.25</td> <td>± ---</td> </tr> <tr> <td>1 PLACE</td> <td>± 0.3</td> <td>± ---</td> </tr> </tbody> </table>		mm	INCH	4 PLACES	± ---	± ---	3 PLACES	± ---	± ---	2 PLACES	± 0.25	± ---	1 PLACE	± 0.3	± ---	DIMENSION STYLE MM ONLY	TITLE	STACKED MODULAR JACK WITH LIGHT PIPES LEAD-FREE	
			mm	INCH																	
	4 PLACES	± ---	± ---																		
3 PLACES	± ---	± ---																			
2 PLACES	± 0.25	± ---																			
1 PLACE	± 0.3	± ---																			
DESCRIPTION	DRAFT WHERE APPLICABLE	APPROVED BY DATE	CHECKED BY DATE	MOLEX INCORPORATED																	
REV	MUST REMAIN WITHIN DIMENSIONS	VINCENT 2005/08/10	HARVEY 2005/08/10	MATERIAL NO. SEE CHART	DOCUMENT NO. SD-67838-002	SHEET NO. 3 OF 4															



RECOMMENDED P.C.B LAYOUT
COMPONENT SIDE

- NOTES:
1. DIMENSION TOLERANCE: .XX+/-0.05
.X +/-0.3.
 2. DIM-A- SEE THE SHEET 1.

NEW RELEASE EC NO: SH2006-0055 DRWN:DHU 2005/10/24 CHKD: 2005/11/08 APPR: YTYAP 2005/11/09	QUALITY SYMBOLS	GENERAL TOLERANCES (UNLESS SPECIFIED)		SCALE 1:1	DESIGN UNITS METRIC	THIRD ANGLE PROJECTION	REVISE ON CAD ONLY	
	 0.05 0.1	mm	INCH	DIMENSION STYLE		TITLE		
		4 PLACES ± --- ± ---	3 PLACES ± --- ± ---	MM ONLY		STACKED MODULAR JACK WITH LIGHT PIPES LEAD-FREE		
		2 PLACES ± 0.25 ± ---	1 PLACE ± 0.3 ± ---	DRAWN BY DATE		DAVID HU 2005/08/10		
ANGULAR ±1/2°	DRAFT WHERE APPLICABLE		CHECKED BY DATE		HARVEY 2005/08/10			
MUST REMAIN WITHIN DIMENSIONS	MUST REMAIN WITHIN DIMENSIONS		APPROVED BY DATE		MATERIAL NO.		DOCUMENT NO.	
			VINCENT 2005/08/10		SEE SHEET 3		SD-67838-002	
					THIS DRAWING CONTAINS INFORMATION THAT IS PROPRIETARY TO MOLEX INCORPORATED AND SHOULD NOT BE USED WITHOUT WRITTEN PERMISSION		SHEET NO. 4 OF 4	