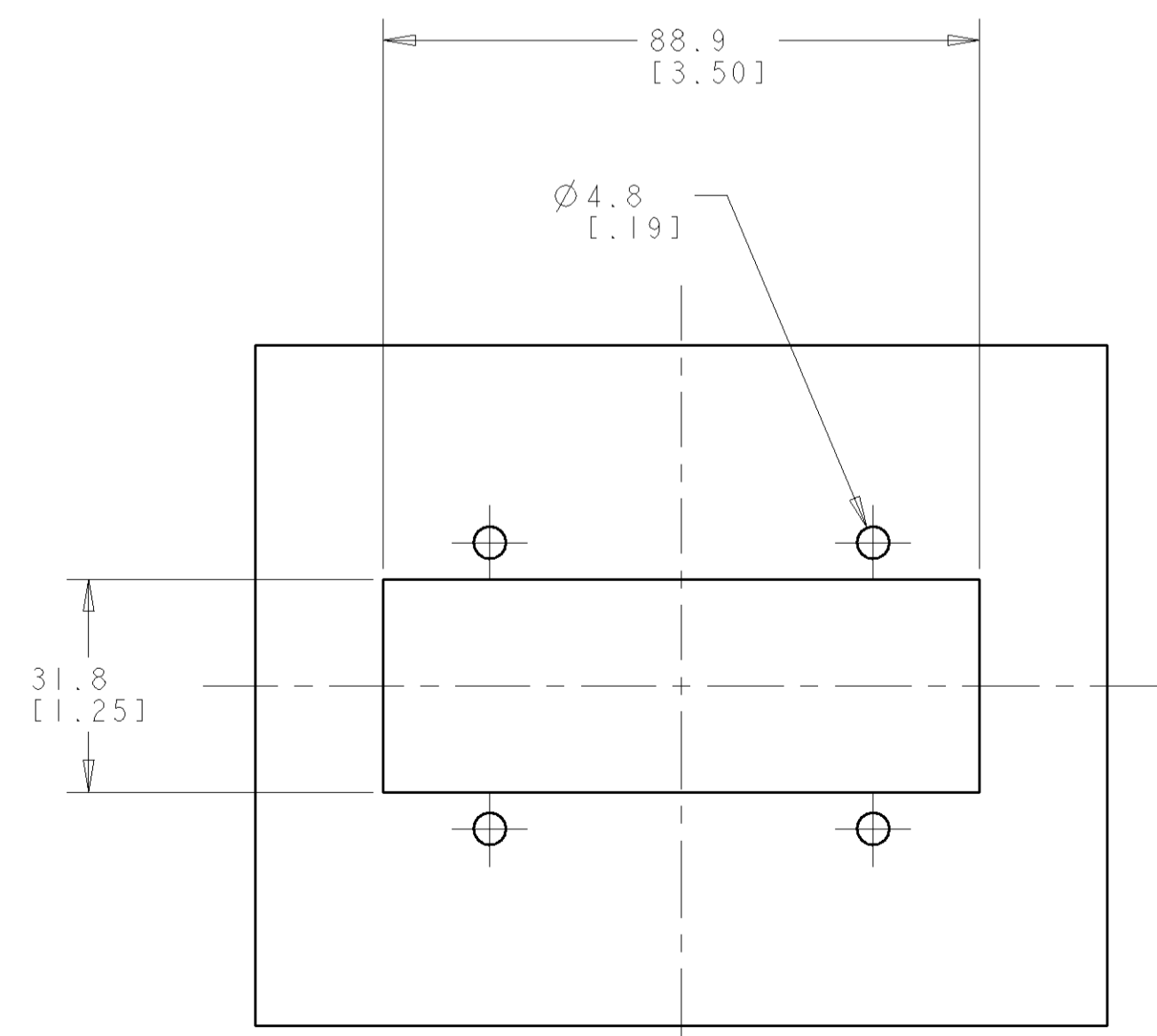
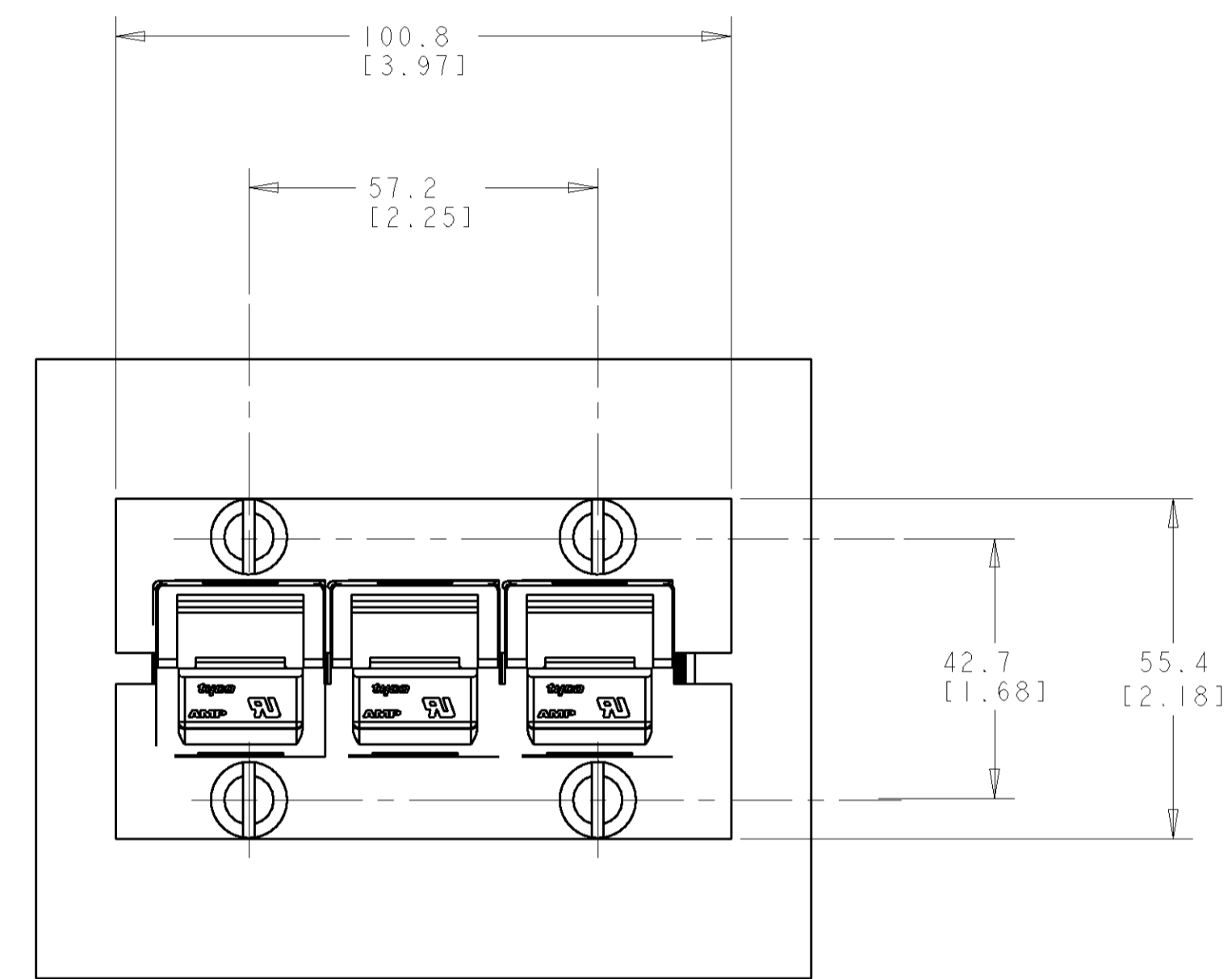
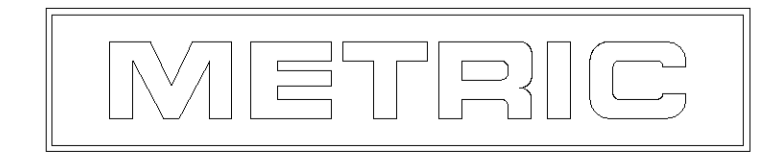
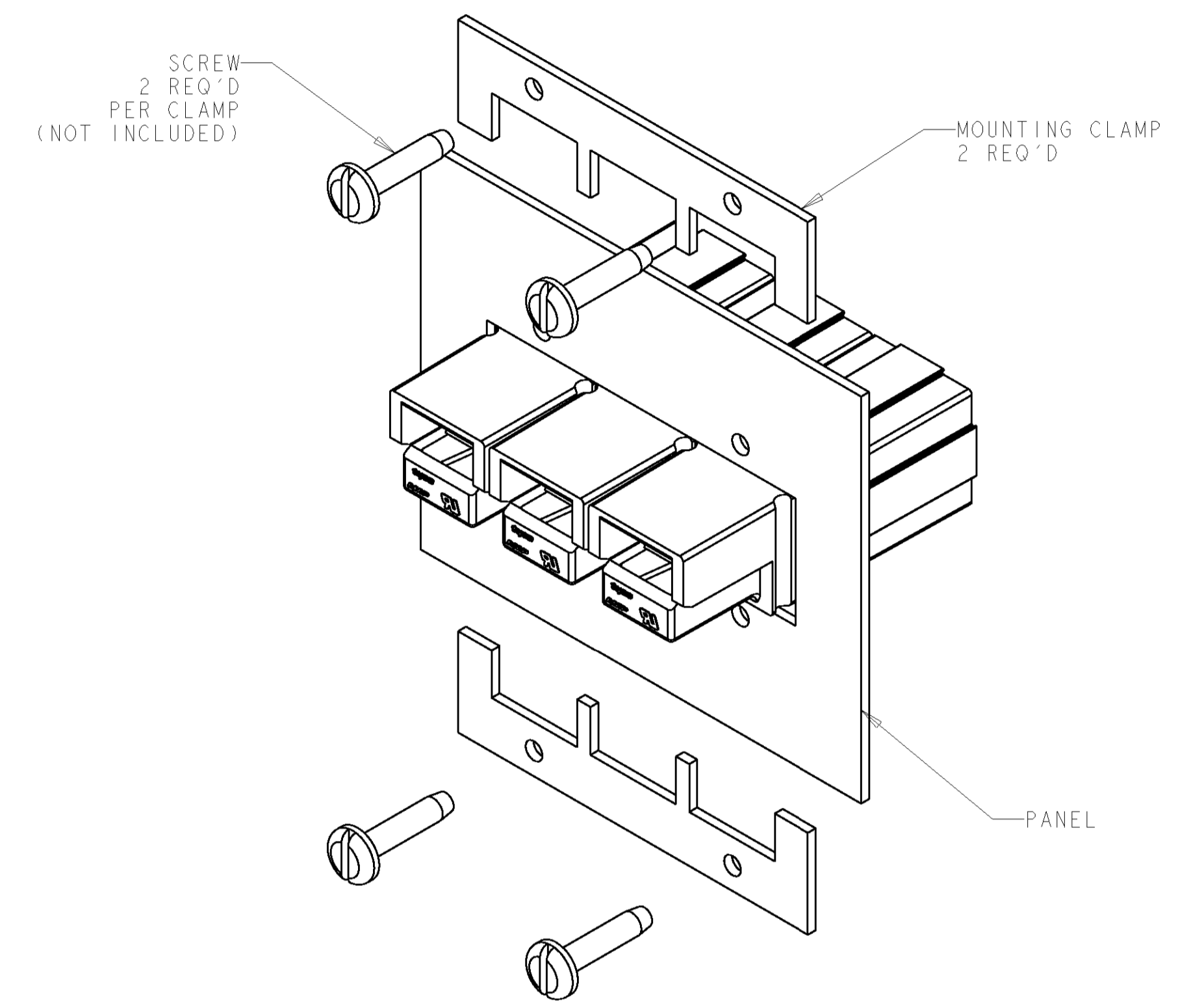


LOC	DIST	REVISIONS					
CM	00	P	LTR	DESCRIPTION	DATE	DWN	APVD
		1		PRE-RELEASED	21NOV2002	KW	JE
		0		REVISED PER 0638-0595-03	16JAN06	KW	JE

I. MOUNTING CLAMPS SOLD IN PAIRS, SCREWS NOT INCLUDED.



PANEL CUTOUT DIMENSIONS



1 BOX	647719-2
1 PAIR	647719-1
QTY / UNIT OF MEASUREMENT	PART NUMBER

<small>THIS DRAWING IS UNPUBLISHED. RELEASED FOR PUBLICATION BY TYCO ELECTRONICS CORPORATION. ALL RIGHTS RESERVED.</small>		DWN: B. WHITAKER 21NOV2002 ENR: J. ELLIS 21NOV2002 APVD: J. ELLIS 21NOV2002	tyco Electronics Tyco Electronics Harrisburg, PA 17105-3608
DIMENSIONS: mm [INCHES]	TOLERANCES UNLESS OTHERWISE SPECIFIED: 0 PLC ± 1 PLC ±0.5 [.02] 2 PLC ± 3 PLC ± 4 PLC ± ANGLES ±	NAME: AMP POWER SERIES 180, MOUNTING CLAMP, 3 POLE PRODUCT SPEC: APPLICATION SPEC: WEIGHT:	SIZE: A1 CAGE CODE: 00779 DRAWING NO: 647719 RESTRICTED TO:
MATERIAL: AL 2.3 [.09] THK FINISH:	CUSTOMER DRAWING	SCALE: 2:1 SHEET: 1 OF 1 REV: 0	DATE: 21NOV2002 DRAWN: KW CHECKED: JE