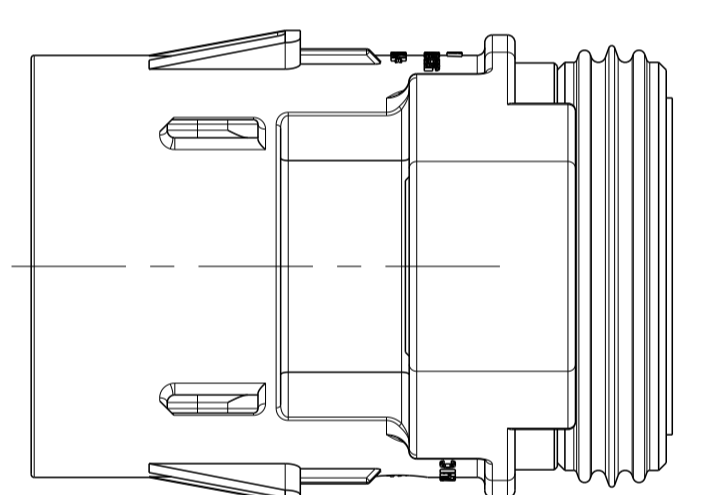
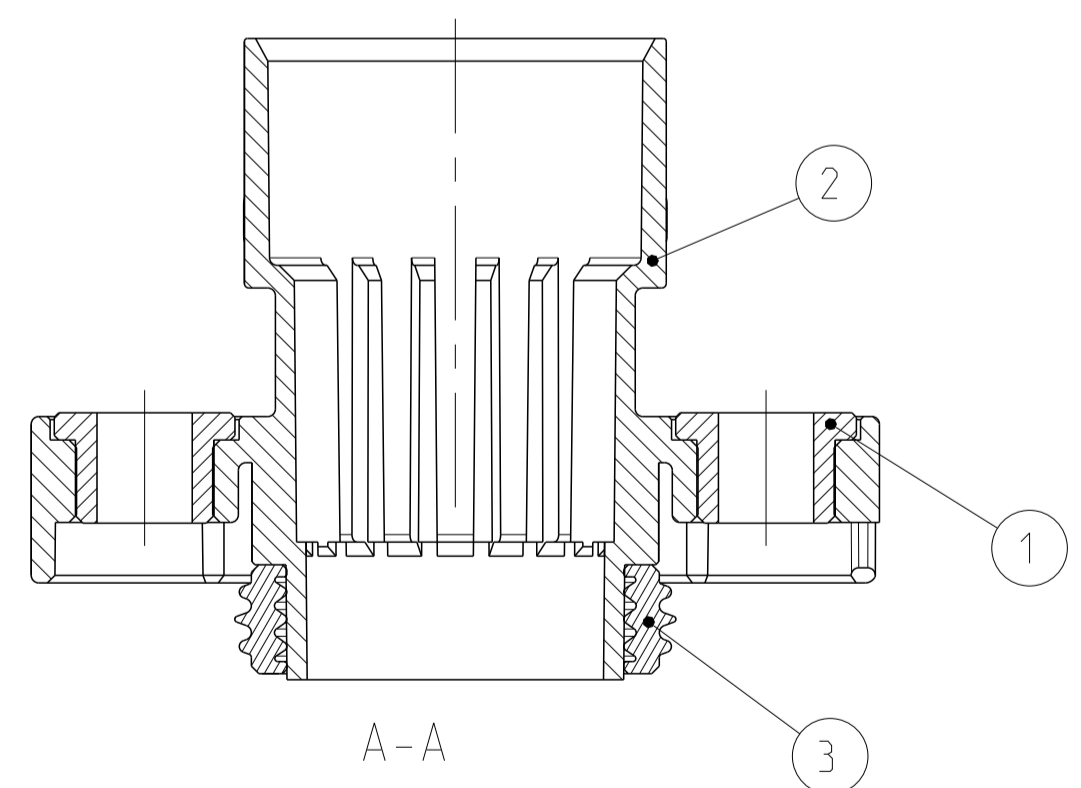
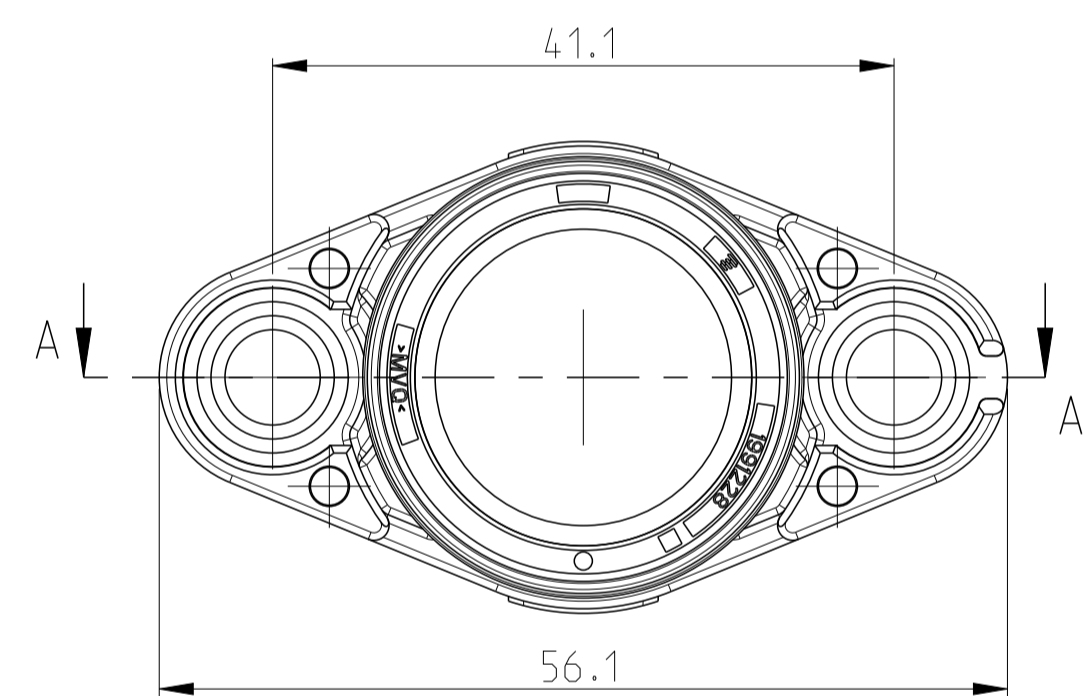
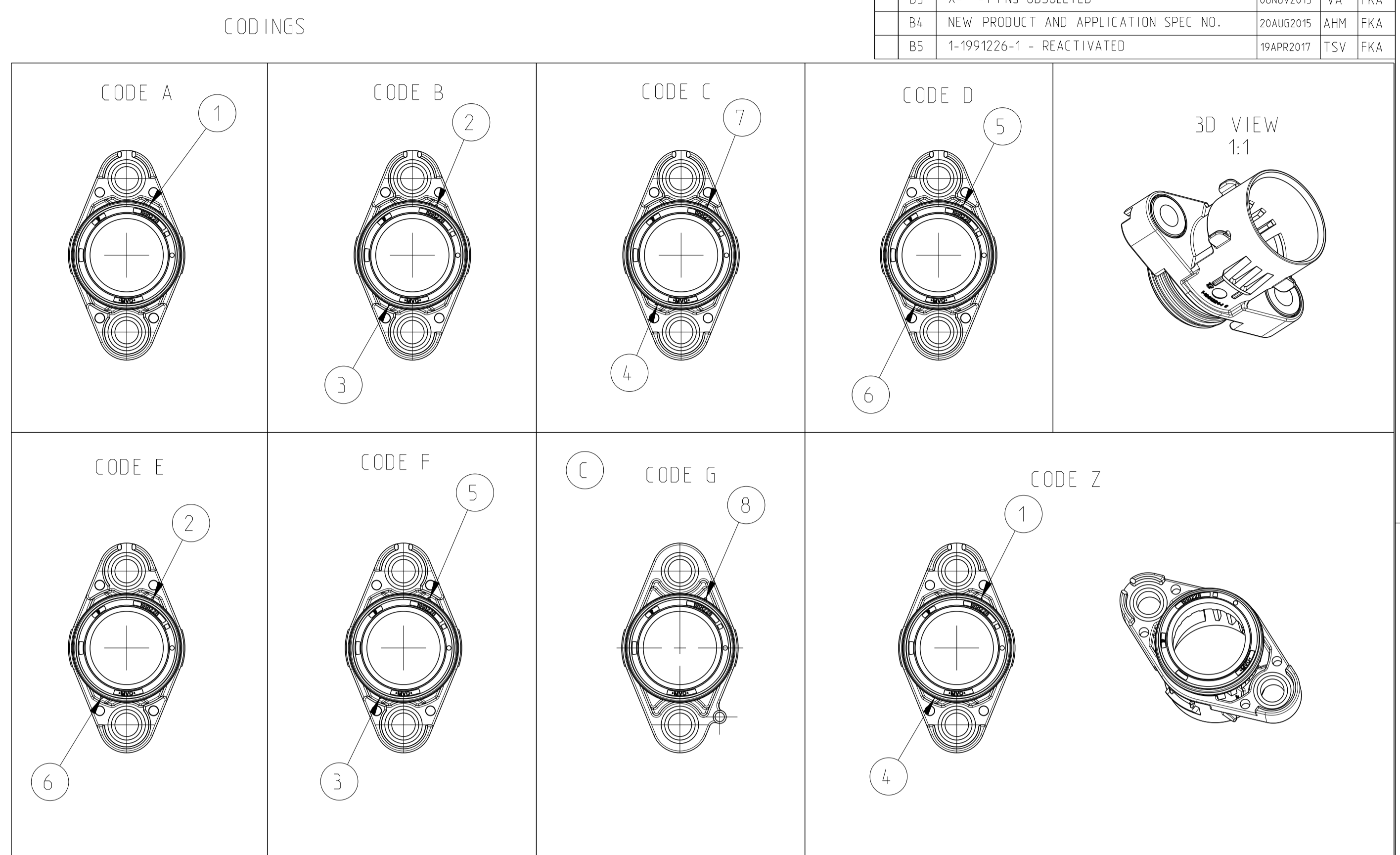


TITLE	CODING	TE ORDER-NO	QTY	PART DESCRIPTION	MATERIAL	SURFACE COLOUR	ITEM
1 POS. RING TOUNGUE. HOUSING. ASSY	Z	9-1991226-2	1	PERIPHERAL SEAL	MVQ-30	NATURAL	3
			1	1POS. RING TOUNGE. HOUSING. IPT 16-50mm ²	PA66-GF35	ORANGE SIMILAR RAL 2003	2
			2	SLEEVE. IPT	CuZn39	Ni	1
1 POS. RING TOUNGUE. HOUSING. ASSY	F	6-1991226-2	1	PERIPHERAL SEAL	MVQ-30	NATURAL	3
			1	1POS. RING TOUNGE. HOUSING. IPT 16-50mm ²	PA66-GF35	ORANGE SIMILAR RAL 2003	2
			2	SLEEVE. IPT	CuZn39	Ni	1
1 POS. RING TOUNGUE. HOUSING. ASSY	E	5-1991226-2	1	PERIPHERAL SEAL	MVQ-30	NATURAL	3
			1	1POS. RING TOUNGE. HOUSING. IPT 16-50mm ²	PA66-GF35	ORANGE SIMILAR RAL 2003	2
			2	SLEEVE. IPT	CuZn39	Ni	1
1 POS. RING TOUNGUE. HOUSING. ASSY	D	4-1991226-2	1	PERIPHERAL SEAL	MVQ-30	NATURAL	3
			1	1POS. RING TOUNGE. HOUSING. IPT 16-50mm ²	PA66-GF35	ORANGE SIMILAR RAL 2003	2
			2	SLEEVE. IPT	CuZn39	Ni	1
1 POS. RING TOUNGUE. HOUSING. ASSY	C	3-1991226-2	1	PERIPHERAL SEAL	MVQ-30	NATURAL	3
			1	1POS. RING TOUNGE. HOUSING. IPT 16-50mm ²	PA66-GF35	ORANGE SIMILAR RAL 2003	2
			2	SLEEVE. IPT	CuZn39	Ni	1
1 POS. RING TOUNGUE. HOUSING. ASSY	B	2-1991226-2	1	PERIPHERAL SEAL	MVQ-30	NATURAL	3
			1	1POS. RING TOUNGE. HOUSING. IPT 16-50mm ²	PA66-GF35	ORANGE SIMILAR RAL 2003	2
			2	SLEEVE. IPT	CuZn39	Ni	1
1 POS. RING TOUNGUE. HOUSING. ASSY	A	1-1991226-2	1	PERIPHERAL SEAL	MVQ-30	NATURAL	3
			1	1POS. RING TOUNGE. HOUSING. IPT 16-50mm ²	PA66-GF35	ORANGE SIMILAR RAL 2003	2
			2	SLEEVE. IPT	CuZn39	Ni	1
1 POS. RING TOUNGUE. HOUSING. ASSY		9-1991226-1	1	PERIPHERAL SEAL	MVQ-30	NATURAL	3
			1	1POS. RING TOUNGE. HOUSING. IPT 16-50mm ²	PA66-GF35	BLACK SIMILAR RAL 9011	2
			2	SLEEVE. IPT	CuZn39	Ni	1
1 POS. RING TOUNGUE. HOUSING. ASSY		6-1991226-1	1	PERIPHERAL SEAL	MVQ-30	NATURAL	3
			1	1POS. RING TOUNGE. HOUSING. IPT 16-50mm ²	PA66-GF35	BLACK SIMILAR RAL 9011	2
			2	SLEEVE. IPT	CuZn39	Ni	1
1 POS. RING TOUNGUE. HOUSING. ASSY	E	5-1991226-1	1	PERIPHERAL SEAL	MVQ-30	NATURAL	3
			1	1POS. RING TOUNGE. HOUSING. IPT 16-50mm ²	PA66-GF35	BLACK SIMILAR RAL 9011	2
			2	SLEEVE. IPT	CuZn39	Ni	1
1 POS. RING TOUNGUE. HOUSING. ASSY	D	4-1991226-1	1	PERIPHERAL SEAL	MVQ-30	NATURAL	3
			1	1POS. RING TOUNGE. HOUSING. IPT 16-50mm ²	PA66-GF35	BLACK SIMILAR RAL 9011	2
			2	SLEEVE. IPT	CuZn39	Ni	1
1 POS. RING TOUNGUE. HOUSING. ASSY	C	3-1991226-1	1	PERIPHERAL SEAL	MVQ-30	NATURAL	3
			1	1POS. RING TOUNGE. HOUSING. IPT 16-50mm ²	PA66-GF35	BLACK SIMILAR RAL 9011	2
			2	SLEEVE. IPT	CuZn39	Ni	1
1 POS. RING TOUNGUE. HOUSING. ASSY	B	2-1991226-1	1	PERIPHERAL SEAL	MVQ-30	NATURAL	3
			1	1POS. RING TOUNGE. HOUSING. IPT 16-50mm ²	PA66-GF35	BLACK SIMILAR RAL 9011	2
			2	SLEEVE. IPT	CuZn39	Ni	1
1 POS. RING TOUNGUE. HOUSING. ASSY	A	1-1991226-1	1	PERIPHERAL SEAL	MVQ-30	NATURAL	3
			1	1POS. RING TOUNGE. HOUSING. IPT 16-50mm ²	PA66-GF35	BLACK SIMILAR RAL 9011	2
			2	SLEEVE. IPT	CuZn39	Ni	1

OBSOLETE



NOTES:
 1. PACKAGING SPECIFICATION
 PIECES PACKED IN CARTON WITH LAYER PAD

2- -7 AS SHOWN

LOC	DIST	REV	DATE	BY	CHK	APPV
A1	-	B2	12SEP2012	VA	FKA	
		B3	06NOV2013	VA	FKA	
		B4	20AUG2015	AHM	FKA	
		B5	19APR2017	TSV	FKA	

THIS DRAWING IS A CONTROLLED DOCUMENT.		OWN: S. GURURAJ 29JAN2009	STE TE Connectivity	
DIMENSIONS: mm		CHK: M. HARRIS 29JAN2009		
TOLERANCES UNLESS OTHERWISE SPECIFIED: ±0.5		APVD: J. MARSH 29JAN2009	NAME: 1POS. RING TOUNGUE. HOUSING. ASSY IPT 16-50 mm sq.	
MATERIAL: -		PRODUCT SPEC: 108-94293	SIZE: -	
FINISH: -		APPLICATION SPEC: 114-94133	CAGE CODE: A1 00779	
		WEIGHT: 0.020 Kg	DRAWING NO: ©=1991226	
		CUSTOMER DRAWING	SCALE: 2:1 SHEET 1 OF 1 REV: B5	