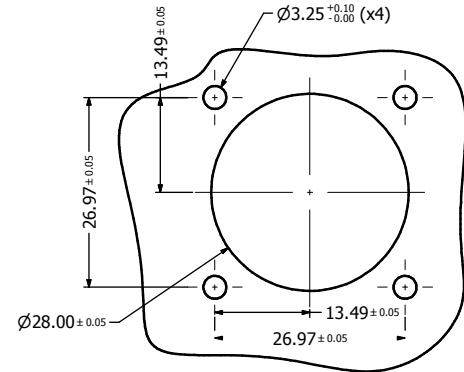
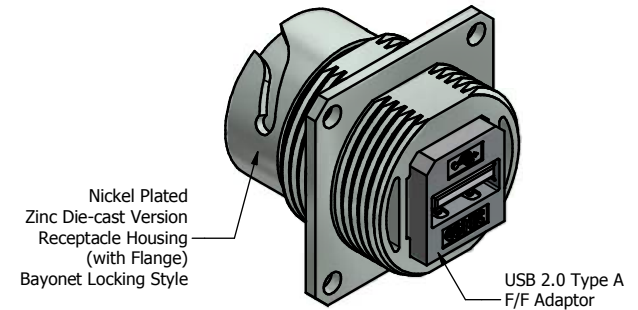
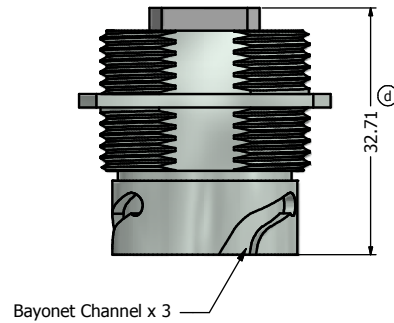
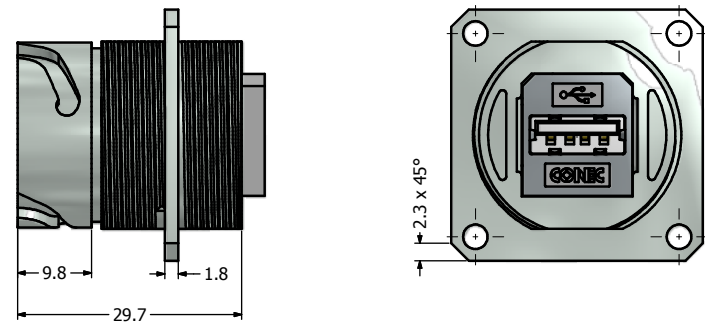
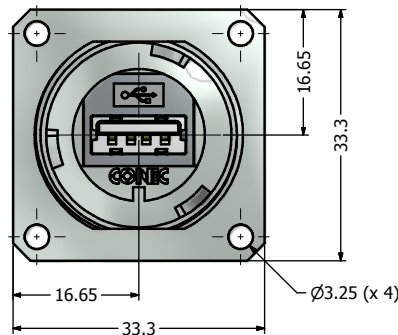


Recommended Double-D Panel Cutout



Recommended Round Panel Cutout



**Notes:**

- Electrical Specifications:
  - Meets USB 2.0 Specification
  - Contact Resistance: 30 mOhm max.
  - Insulation Resistance: 1000 MOhm min. @ 100 VDC
  - Current Rating: 1.5 A max. at 25°C
  - Working Voltage: 30 V (RMS) max.
  - DWV: 500 VAC/60s at sea level
  - Operating Temperature: -40°C to +85°C

**2. Material and Finish:**

- Receptacle Housing (with Flange): Zinc Die-Cast, Nickel Plated
- USB Adaptor Insulator: PBT, UL94 V-0, Black
- USB Adaptor Metal Shell: Copper Alloy, Nickel Plated
- USB Adaptor Overmold material: PBT UL94 V-0, Color: Black
- USB Contacts: Copper Alloy, Finish: 30 u" Gold min. over Nickel

3. Connector can be front or rear mounted to a maximum panel thickness of 3.2 mm.

4. IP67 rated when fully mated with appropriate mating connector

**Pin-Assignment**

Type A Female	Type A Female
Pin1 -----	Pin1
Pin2 -----	Pin2
Pin3 -----	Pin3
Pin4 -----	Pin4
Shell -----	Shell

Directive 2002/95/EC RoHS Compliant

© The panel gasket (P/N: 17-103540) and the M3 mounting hardware (P/N: 17-103530) must be ordered separately, the recommended mounting torque is 8 to 10 lb-inch

THE DRAWING MAY NOT BE COPIED OR REPRODUCED IN ANY MANNER AND MAY NOT BE PASSED ON TO A THIRD PARTY WITHOUT WRITTEN PERMISSION. OWNERSHIP AND COPYRIGHT OF CONEC CORPORATION.	Customer:			Tolerance Unless otherwise specified			Scale: NTS	Dim. in mm	
	Name		Title	Approval Date	0 PLC ±0.50		Autodes Inventor	Material: See Notes	
					1 PLC ±0.38	2011		Date	Name
					2 PLC ±0.25	Draw.		Apr. 18	Vincent Ke
				3 PLC ±0.10	Appd.	Apr. 18	J. Chaudry	IP67 USB Receptacle (with Flange) Assembly Kit with USB Type A Adaptor Nickel Plated Zinc Die-Cast Version	
				ANGLES ±3	Rev.	Changes	Date	Name	
					d	1 x d	May/15/2013	Vincent ke	Norm
					c	1 x c	Mar /05/2013	Vincent Ke	D-old
					b	1 x b	Sep/08/2011	Vincent ke	
					a	original			
							Drawing No.: 17K1A236		DIN A3
							Part No.: 17-200781		Sheet 1/1