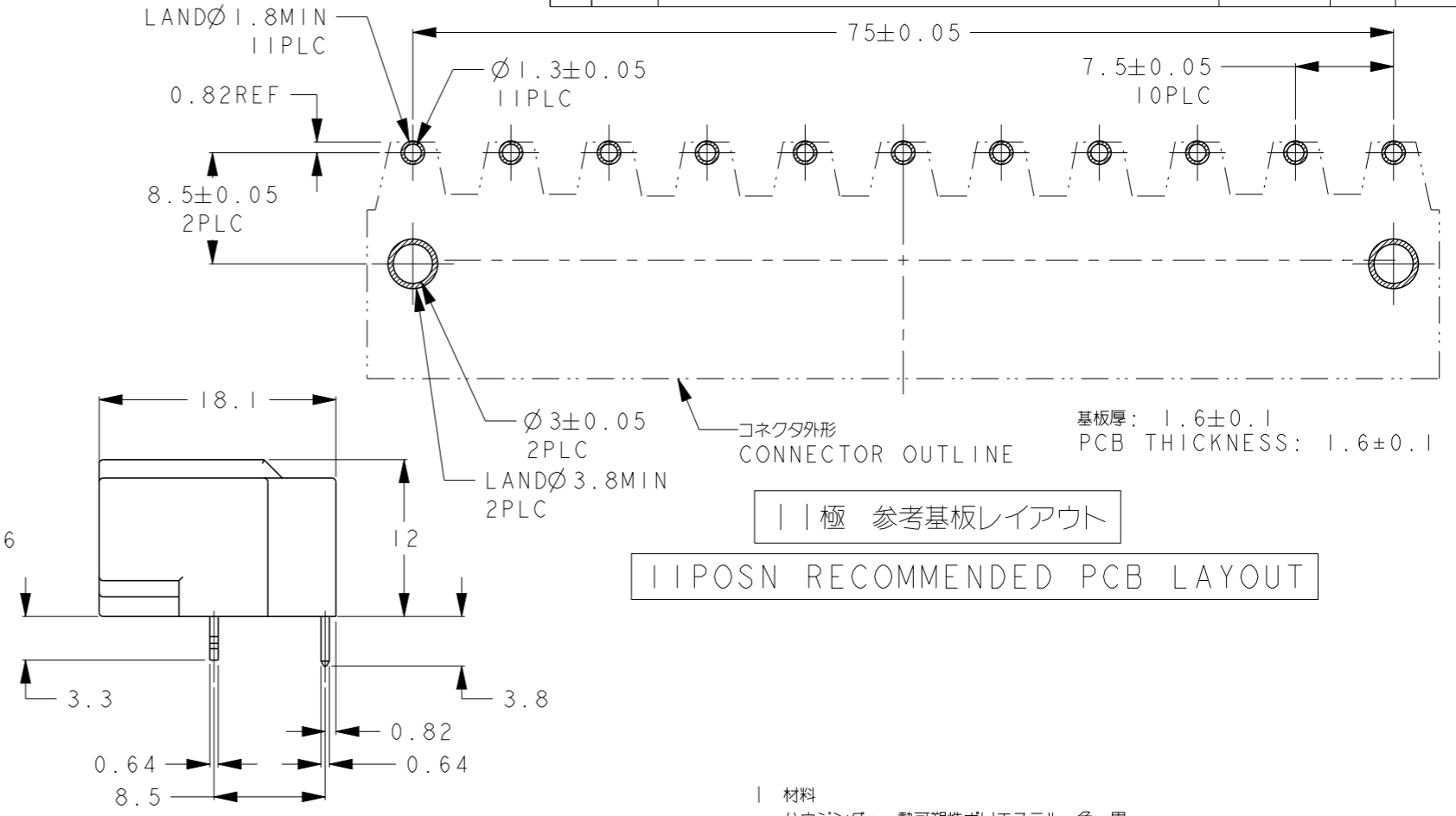
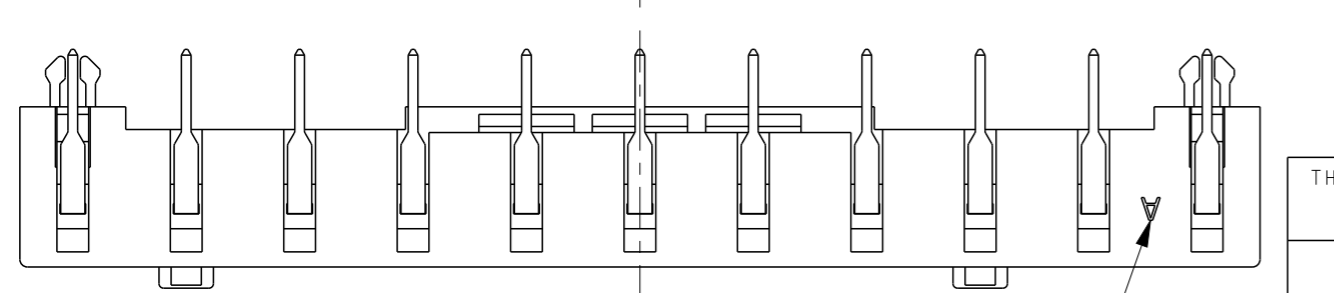
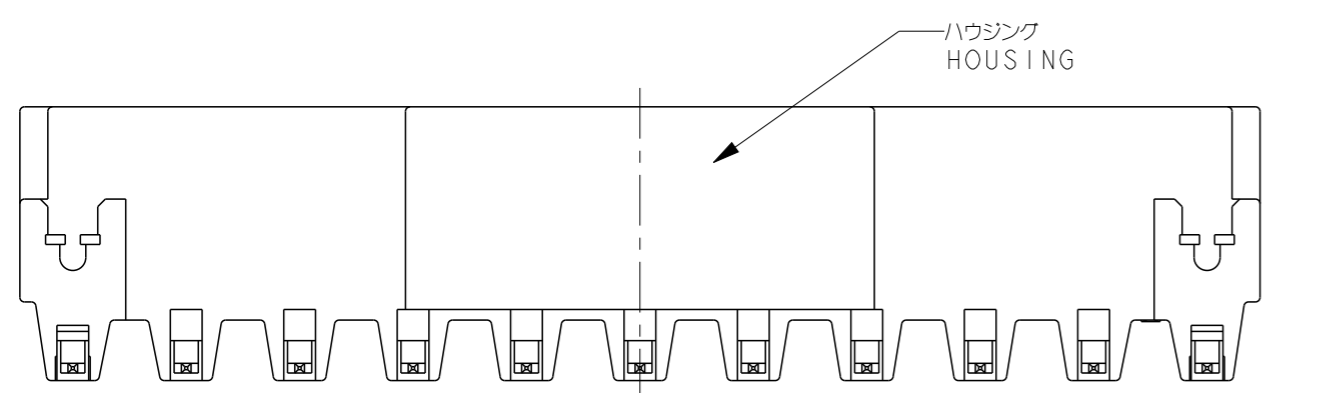
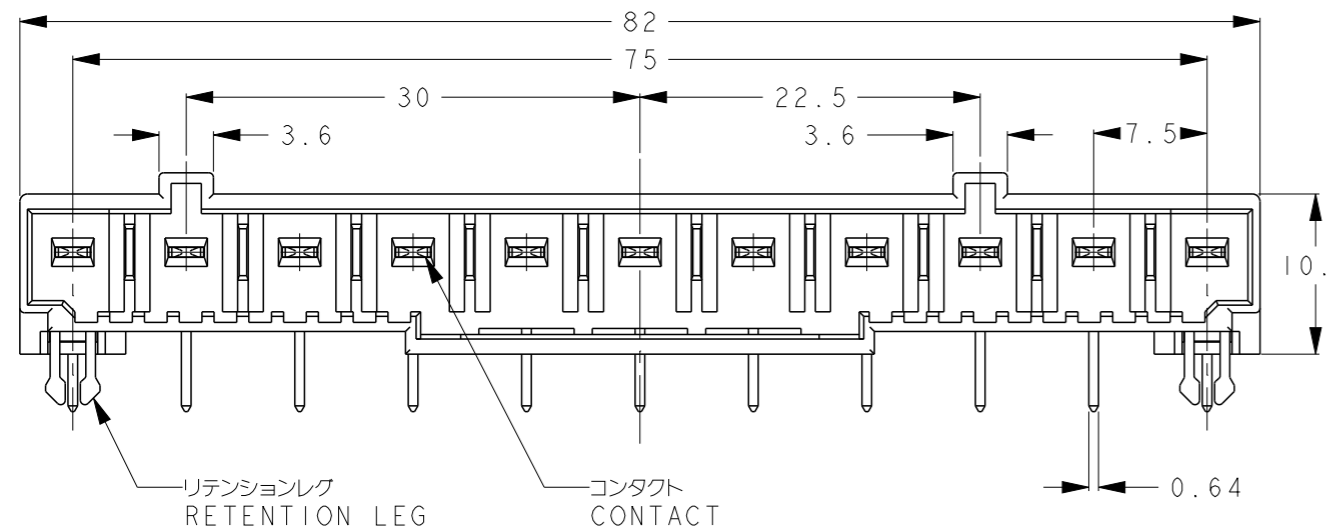
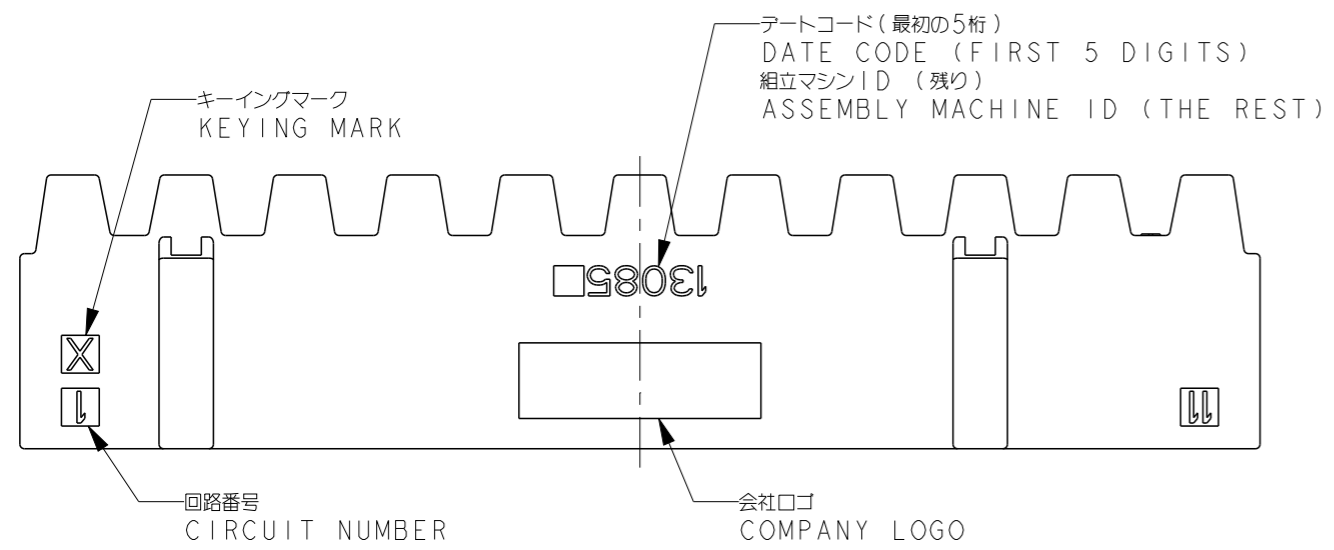


THIS DRAWING IS UNPUBLISHED. RELEASED FOR PUBLICATION XXXXX2011
 © COPYRIGHT 2011 BY Tyco Electronics Japan G.K. ALL RIGHTS RESERVED.

LOC	DIST	REVISIONS					
		P	LTR	DESCRIPTION	DATE	DWN	APVD
J	-		E	REVISED	27JULY2023	H.O	T.S



- 材料
ハウジング: 熱可塑性ポリエステル, 色: 黒
コンタクト: 銅合金
リテンションレグ: 銅合金
- めっき
コンタクト接点部: ニッケル下地めっき上に金めっき
リテンションレグおよびコンタクトはんだ付け部: ニッケル下地めっき上に錫めっき

- MATERIAL
HOUSING: THERMOPLASTIC POLYESTER, COLOR: BLACK.
CONTACT: COPPER ALLOY
RETENSION LEG: COPPER ALLOY
- PLATING
CONTACT POINT: UNDER Ni PLATING.
OVER Au PLATING.
RETENSION LEG AND TINE : UNDER Ni PLATING.
OVER Tin PLATING.

キーイング KEYING	極数 POS	型番 PART NUMBER
Y	10	1-2229803-3
Y	7	1-2229803-2
X	11	1-2229803-1
X	3	3-2229803-1

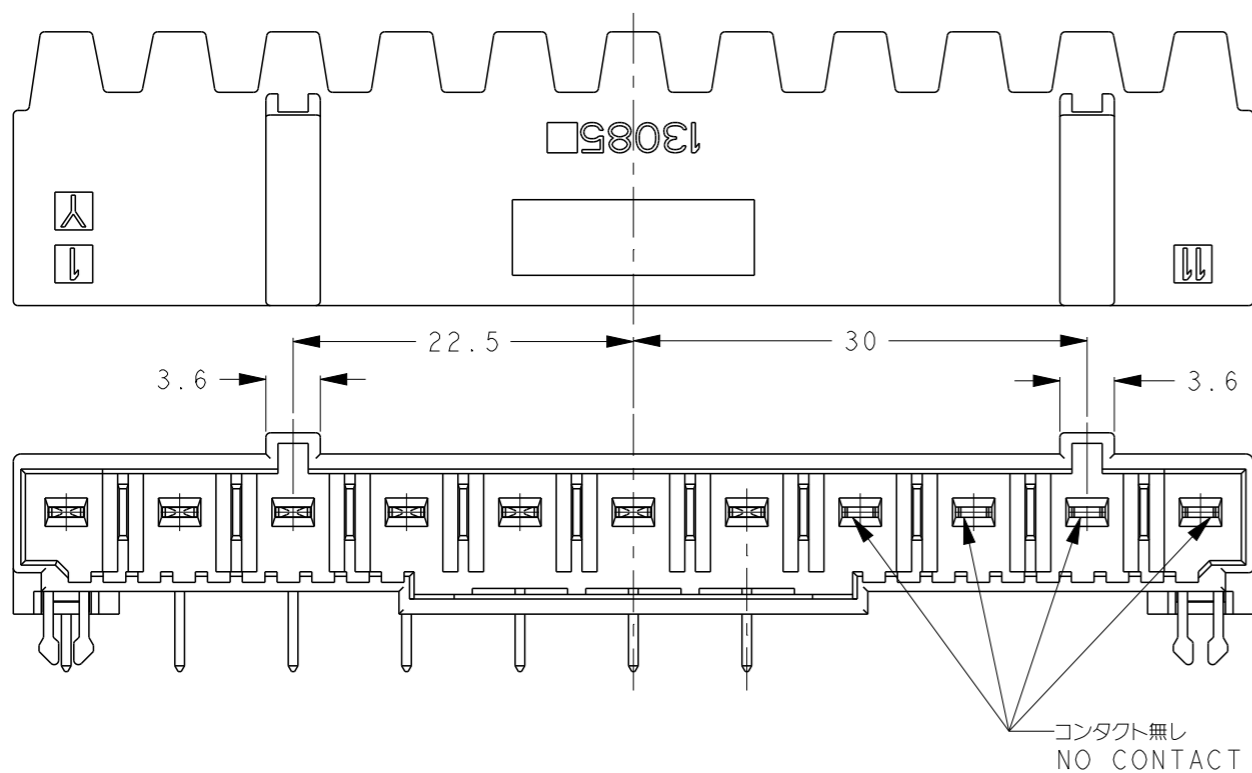
THIS DRAWING IS A CONTROLLED DOCUMENT.

DWN Y. OKADA 20FEB2013	TE Connectivity DYNAMIC D3950 HEADER ASSEMBLY	
CHK S. YAMADA 20FEB2013		
APVD N. YAMASAKI 20FEB2013		
PRODUCT SPEC 製品規格 108-78997		
DIMENSIONS: 単位: 概 mm	APPLICATION SPEC 取付適用規格 411-78272	
TOLERANCES UNLESS OTHERWISE SPECIFIED: 一般公差 \pm 0.3 0 PLC \pm 1 PLC \pm 0.5 2 PLC \pm 0.13 3 PLC \pm 0.013 4 PLC \pm 0.0001 ANGLES \pm 5	NAME 名称 SIZE CAGE CODE DRAWING NO 番号 RESTRICTED TO	
MATERIAL 材料 SEE NOTE	FINISH 仕上 SEE NOTE	WEIGHT -
Customer Drawing		SCALE 尺度 2:1
		SHEET 1 OF 2
		REV E

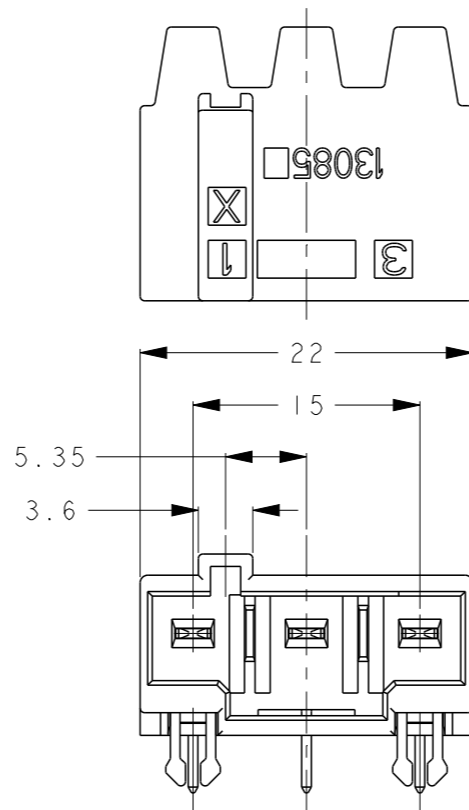
1-2229803-1 (11 POSN KEYING: X)

LOC	DIST
J	-

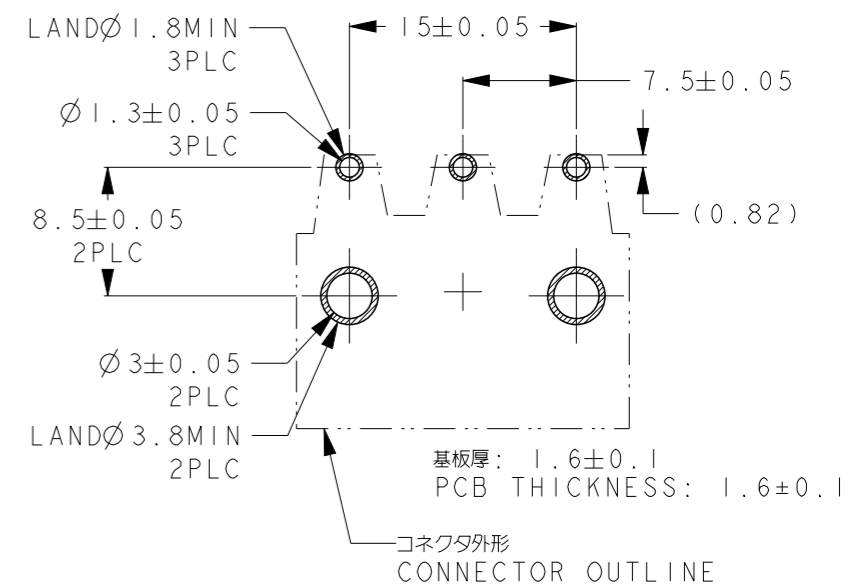
REVISIONS				
変更				
P	LTR	DESCRIPTION	DATE	APVD
		SEE SHEET 1		



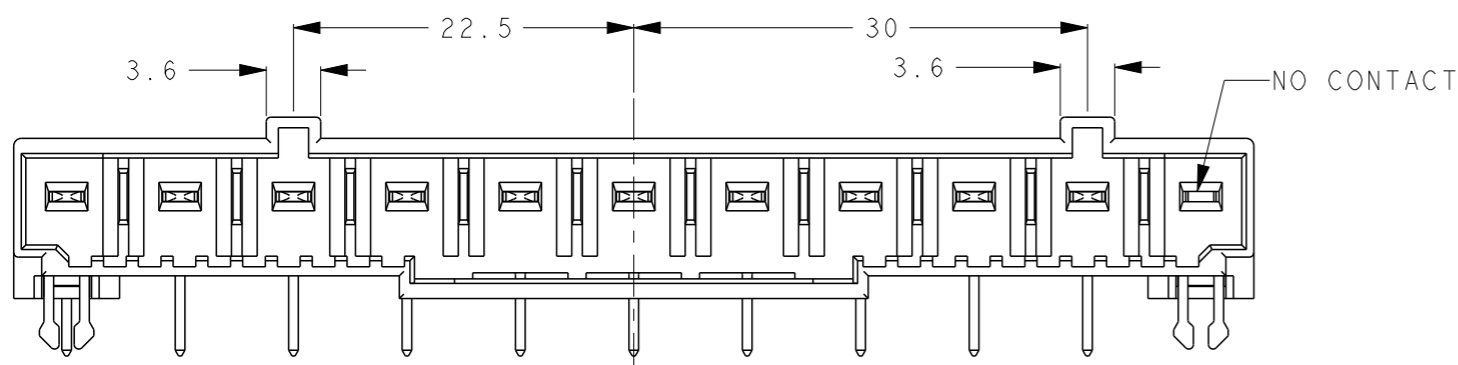
1-2229803-2 (7 POSN KEYING: Y)




3-2229803-1 (3 POSN KEYING: X)



3 POSN RECOMMENDED PCB LAYOUT



1-2229803-3 (10 POSN KEYING: Y)

THIS DRAWING IS A CONTROLLED DOCUMENT.		DWN Y. OKADA 20FEB2013	 TE Connectivity	
DIMENSIONS: 単位: 丸 mm		CHK S. YAMADA 20FEB2013		
TOLERANCES UNLESS OTHERWISE SPECIFIED: 一般公差 ±0.3		APVD N. YAMASAKI 20FEB2013	NAME 名称 DYNAMIC D3950 HEADER ASSEMBLY	
0 PLC ±		PRODUCT SPEC 製品規格 108-78997	SIZE A300779	
1 PLC ±0.5		APPLICATION SPEC 取付適用規格 411-78272	DRAWING NO 番号 C-2229803	
2 PLC ±0.13		WEIGHT -	RESTRICTED TO -	
3 PLC ±0.013			SCALE 尺度 2:1	
4 PLC ±0.000J			SHEET 2 OF 2	
ANGLES ±5			REV E	
MATERIAL 材料	SEE NOTE	FINISH 仕上	SEE NOTE	
Customer Drawing				