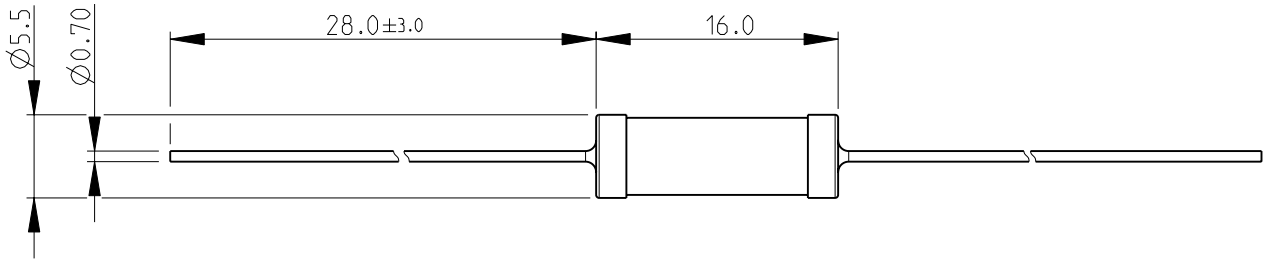
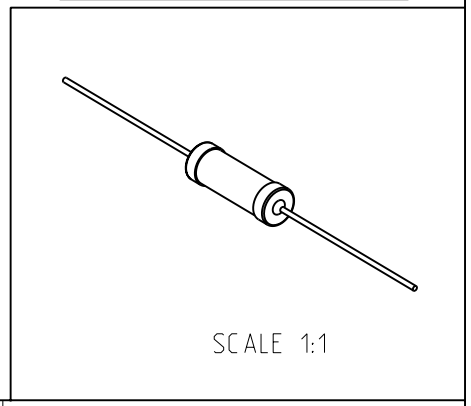


LOC	DIST	REVISIONS			
P	LTR	DESCRIPTION	DATE	DWN	APVD
E	B	BA1	REVISED PER ECO-11-005150	29MAR2011	RK HMR


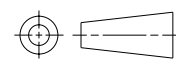
FOR FURTHER INFORMATION SEE DATA SHEET FOR
CFR SERIES-CARBON FILM FIXED RESISTORS



RoHS Compliant



2008
 RELEASED FOR PUBLICATION
 ALL RIGHTS RESERVED.
 BY -
 COPYRIGHT 2008
 THIS DRAWING IS UNPUBLISHED.

DIMENSIONS: mm TOLERANCES UNLESS OTHERWISE SPECIFIED: 0 PLC ± 0.2 1 PLC ± 0.1 2 PLC \pm 3 PLC \pm 4 PLC \pm ANGLES $\pm 5^\circ$	DWN SUBHASH.M 20-Sep-08	MATERIAL	FINISH
	CHK PRAKASH.S 20-Sep-08		
	APVD STEPHEN.P 20-Sep-08	 TE Connectivity	
	PRODUCT SPEC		
	APPLICATION SPEC	NAME CARBON FILM FIXED RESISTORS SERIES CFR200	
	WEIGHT	SIZE A 4	RESTRICTED TO
		CAGE CODE 00779	
		DRAWING NO C= 1623929	
		CUSTOMER DRAWING	SCALE 2:1
		SHEET 1 OF 1	REV BA1