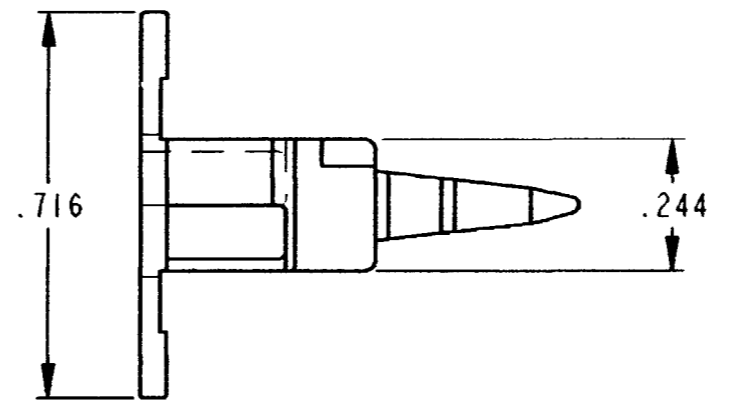
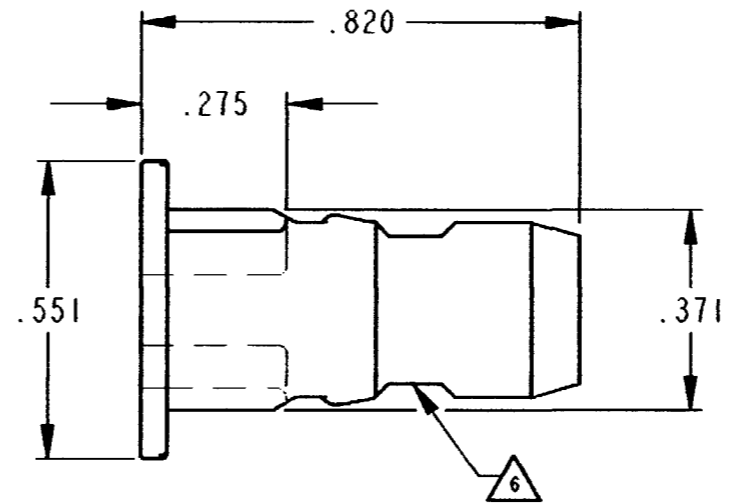
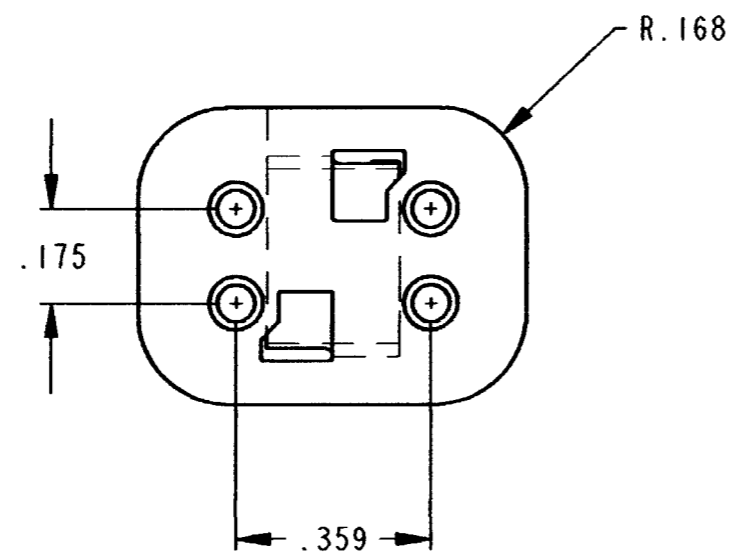


REV B	W4SD	REVISIONS			
		SYM	DESCRIPTION	DATE	APPROVED
		NC	NEW RELEASE PER E.O. A14877	8/2/95	R.D.R.
		A	REVISED PER E.O. P18246	8/22/03	R.D.R.
		B	REVISED PER E.O. P19635	11-5-07	<i>RDR</i>



- △ CUTOUT FEATURE OPTIONAL, 2 PLACES.
 5. CONSULT FACTORY FOR APPLICATION.
 4. WARNING: THIS WEDGE ALSO MATES WITH STANDARD PART W4P (=KEYLESS)
 3. COLOR CODE = BROWN.
 2. ALL DIMENSIONS ARE ±.025 [.64] UNLESS OTHERWISE SPECIFIED.
 1. ALL DIMENSIONS ARE IN INCHES AND FOR REF. ONLY.

SIGNATURE & DATE		WEDGE LOCK FOR 4 WAY PLUG KEY ARR. -D- DT SERIES	EP	MATL. CODE
DR	<i>V. TOMSA JUL-21-95.</i>		3850 INDUSTRIAL AVE. HEMET, CA 92545	
CHK	<i>Jami C. Gentil 10/12/07</i>		DEUTSCH INDUSTRIAL	
PE	<i>R. Mesinger 9/11/07</i>			
APPD	<i>S. Beard 10-10-07</i>	ENVELOPE	B	W4SD
SCALE	NONE WT		DWG SIZE	CODE 11139