

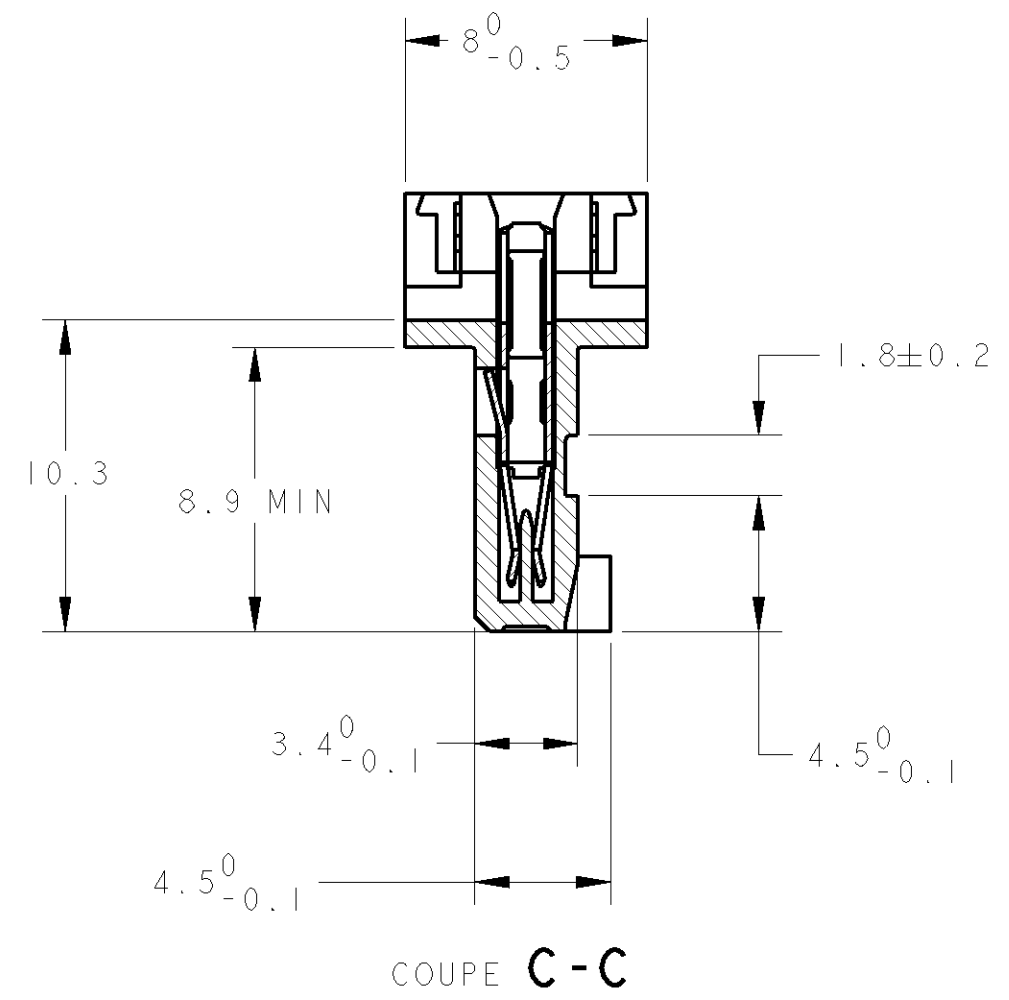
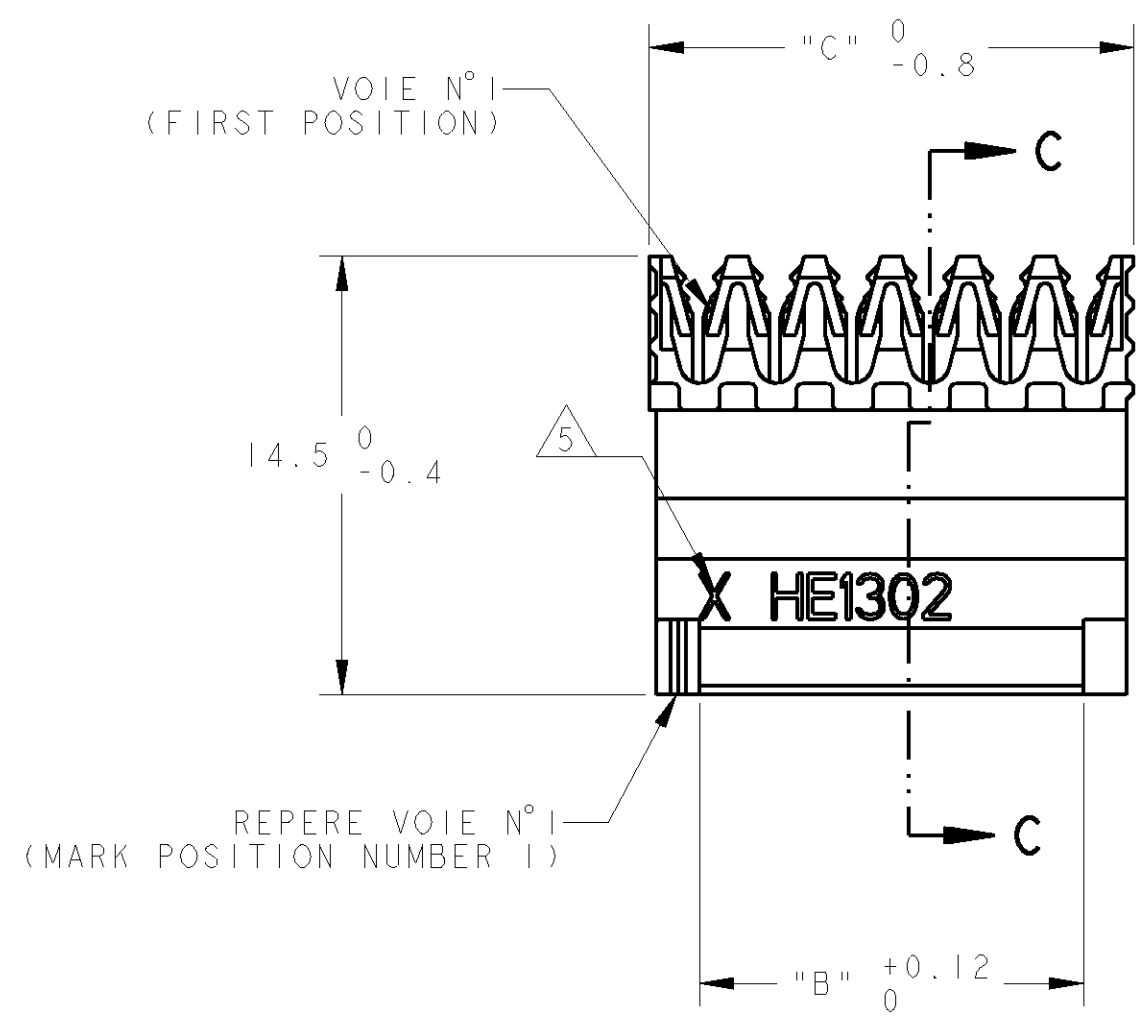
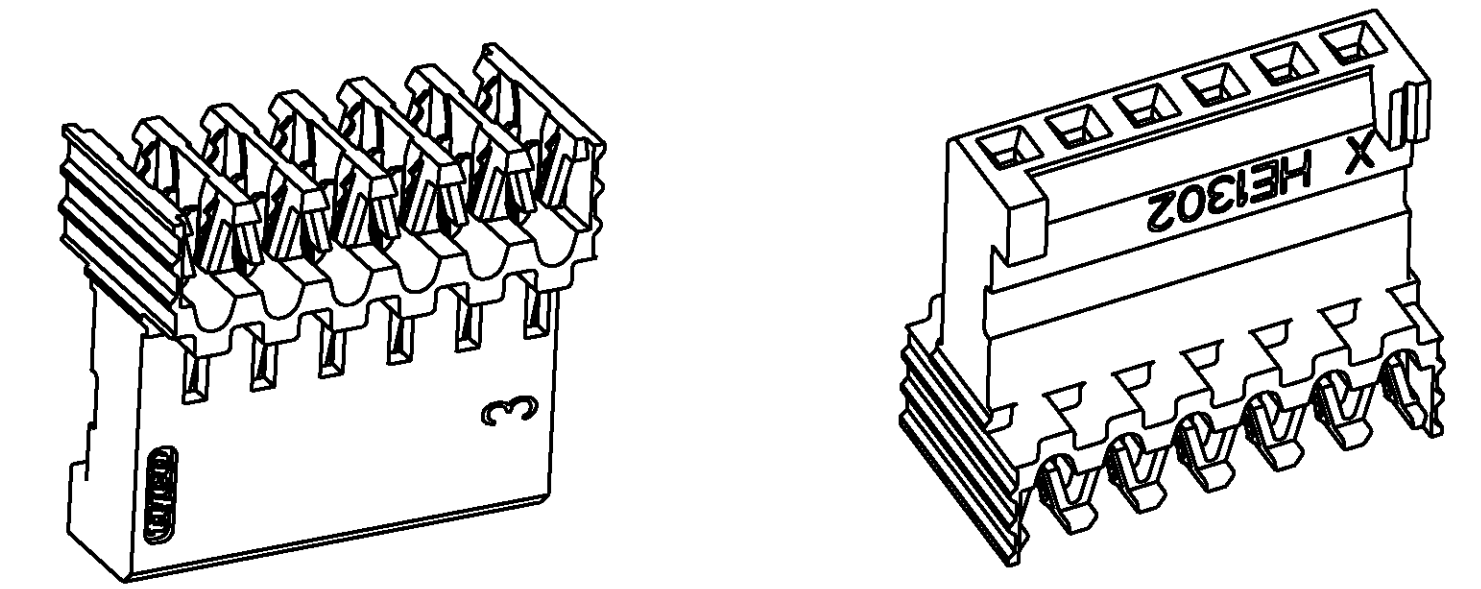
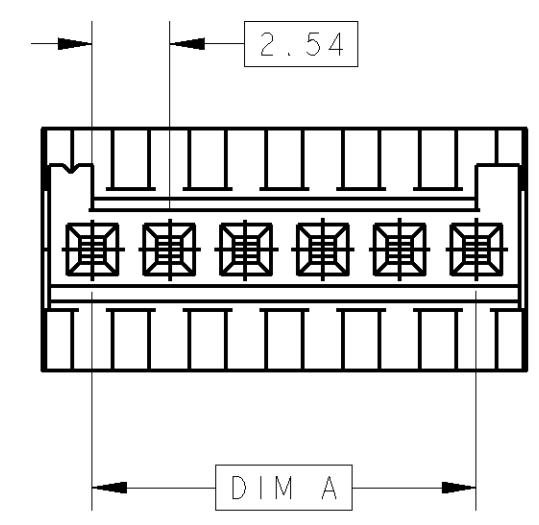
THIS DRAWING IS UNPUBLISHED.  
DIFFUSION RESTREINTE

RELEASED FOR PUBLICATION  
LIBRE A LA DIFFUSION

ALL RIGHTS RESERVED  
TOUS DROITS RESERVES

FILS ADMISSIBLES (ACCEPTABLE WIRES)	
JAUGE (AWG) SECTION / 7 BRINS (7 STRANDS)	24 0.22mm <sup>2</sup>
ISOLANT: Ø MAX / MATIERE (INSUL.: Ø MAX / MAT'L)	Ø 1.2 / PVC

LOC F	DIST 7	REVISIONS			
P	LTR	DESCRIPTION MODIFICATIONS	DATE	DWN DESS.	APVD APP.
	E1	REVISED PER ECO-11-005150	19APR11	RK	HMR



<del>OBSOLETE</del>	<del>9</del>	<del>64.36</del>	<del>66.96</del>	<del>25</del>	<del>2</del>	<del>201709-5</del>	<del>2</del>	<del>144273-5</del>	<del>5</del>
<del>OBSOLETE</del>	<del>9</del>	<del>61.76</del>	<del>58.42</del>	<del>24</del>	<del>2</del>	<del>201709-4</del>	<del>2</del>	<del>144273-4</del>	<del>4</del>
<del>OBSOLETE</del>	<del>10</del>	<del>59.22</del>	<del>55.06</del>	<del>23</del>	<del>2</del>	<del>201709-3</del>	<del>2</del>	<del>144273-3</del>	<del>3</del>
<del>OBSOLETE</del>	<del>10</del>	<del>56.60</del>	<del>53.34</del>	<del>22</del>	<del>2</del>	<del>201709-2</del>	<del>2</del>	<del>144273-2</del>	<del>2</del>
<del>OBSOLETE</del>	<del>10</del>	<del>54.14</del>	<del>50.06</del>	<del>21</del>	<del>2</del>	<del>201709-1</del>	<del>2</del>	<del>144273-1</del>	<del>1</del>
<del>OBSOLETE</del>	<del>11</del>	<del>51.60</del>	<del>48.26</del>	<del>20</del>	<del>2</del>	<del>201709-0</del>	<del>2</del>	<del>144273-0</del>	<del>0</del>
<del>OBSOLETE</del>	<del>12</del>	<del>49.06</del>	<del>45.72</del>	<del>19</del>	<del>1</del>	<del>201709-9</del>	<del>1</del>	<del>144273-9</del>	<del>9</del>
	12	46.52	43.18	18	1	1-281709-8	*	1-144273-8	*
<del>OBSOLETE</del>	<del>13</del>	<del>43.98</del>	<del>40.64</del>	<del>17</del>	<del>1</del>	<del>201709-7</del>	<del>1</del>	<del>144273-7</del>	<del>7</del>
<del>OBSOLETE</del>	<del>14</del>	<del>41.44</del>	<del>38.10</del>	<del>16</del>	<del>1</del>	<del>201709-6</del>	<del>1</del>	<del>144273-6</del>	<del>6</del>
	15	38.90	35.56	15	1	1-281709-5	*	1-144273-5	*
<del>OBSOLETE</del>	<del>16</del>	<del>36.36</del>	<del>33.02</del>	<del>14</del>	<del>1</del>	<del>201709-4</del>	<del>1</del>	<del>144273-4</del>	<del>4</del>
<del>OBSOLETE</del>	<del>17</del>	<del>33.82</del>	<del>30.48</del>	<del>13</del>	<del>1</del>	<del>201709-3</del>	<del>1</del>	<del>144273-3</del>	<del>3</del>
	18	31.28	27.94	12	1	1-281709-2	*	1-144273-2	*
<del>OBSOLETE</del>	<del>20</del>	<del>28.74</del>	<del>25.40</del>	<del>11</del>	<del>1</del>	<del>201709-1</del>	<del>1</del>	<del>144273-1</del>	<del>1</del>
	20	26.20	22.86	10	1	1-281709-0	*	1-144273-0	*
<del>OBSOLETE</del>	<del>25</del>	<del>23.66</del>	<del>20.32</del>	<del>9</del>	<del>0</del>	<del>201709-0</del>	<del>0</del>	<del>144273-0</del>	<del>0</del>
	25	21.12	17.78	8	0	0-281709-8	*	0-144273-8	*
	30	18.58	15.24	7	0	0-281709-7		0-144273-7	
	35	16.04	12.70	6	0	0-281709-6	*	0-144273-6	*
	40	13.50	10.16	5	0	0-281709-5	*	0-144273-5	*
	50	10.96	7.62	4	0	0-281709-4	*	0-144273-4	*
	70	8.42	5.08	3	0	0-281709-3	*	0-144273-3	*
	100	5.88	2.54	2	0	0-281709-2		0-144273-2	
QUANT / TUBE	C	A, B	Nb DE POS	4		VRAC (L.P.)			
DIMENSIONS		REFERENCES (PART No)							

- 1 CES CONNECTEURS SONT PREVUS POUR ETRE ACCOUPLES AVEC LES EMBASES 'HE1302' SIMPLE RANGEE (THESE CONNECTORS ARE DESIGNED TO BE MATED WITH 'HE1302' HEADERS SINGLE ROW)
- 2 LES REFERENCES SUIVIES D'UN ' \* ' SONT LES VERSIONS NORMALISEES SELON LA 'CEI 603-8' (THE PART-NO FOLLOWED BY ' \* ' ARE COVERED BY THE INTERNATIONAL STANDARD 'IEC 603-8')
- 3 REVETEMENT DES CONTACTS: 0.4µm OR DANS LA ZONE DE CONTACT, ETAIN SUR SORTIE CAD, SOUS-COUCHE NICKEL (CONTACTS PLATING: 0.4µm GOLD ON CONTACT AREA, TIN ON I.D. BARREL AREA, NICKEL UNDER-PLATING)
- 4 CONNECTEURS CONDITIONNES SOUS TUBE PVC (THESE CONNECTORS ARE PACKAGED IN TUBE)
- 5 ' X ' EST REMPLACE PAR LE DEUXIEME CHIFFRE DES JAUGES AWG (' X ' REPLACED BY THE SECOND DIGIT OF AWG AS DEFINED IN TABLE)
- 6 MATERIAUX - BOITIER: PBT UL 94V0 - CONTACTS: BRONZE PHOSPHOREUX (MATERIALS - CASE: PBT UL 94V0 - CONTACTS: PHOSPHOR BRONZE)

DIMENSIONS: mm		TOLERANCES UNLESS OTHERWISE SPECIFIED: (SUIV NB DE DECIMALES) 0 PLC/DEC: ± 1 PLC/DEC: ±0.3 2 PLC/DEC: ± 3 PLC/DEC: ± 4 PLC/DEC: ± ANGLES ±5°		DWN/DESSINE: 1/NOV2000 C. COMBEDOUZON CHK/VERIFIE: 1/NOV2000 T. CORRIOU APVD/APPROUVE: 1/NOV2000 Y. PETRONIN		TE Connectivity	
MATERIAL/MATIERE		FINISH/FINITION		PRODUCT SPEC: 108-15053 APPLICATION SPEC: 114-15030		NAME/TITRE: HE1302 PLUG, 90deg IDC SINGLE ROW	
6		3		WEIGHT/MASSE APPROX.:		SIZE/FORMAT: A2 CAGE CODE: 00779 DRAWING NO: C-281709	
CUSTOMER DRAWING /PLAN CLIENT				UNIFORMEMENT POUR REFERENCE		SCALE/ECHELLE: 4	
				SHEET FEUILLE: OF DE		REV: E1	