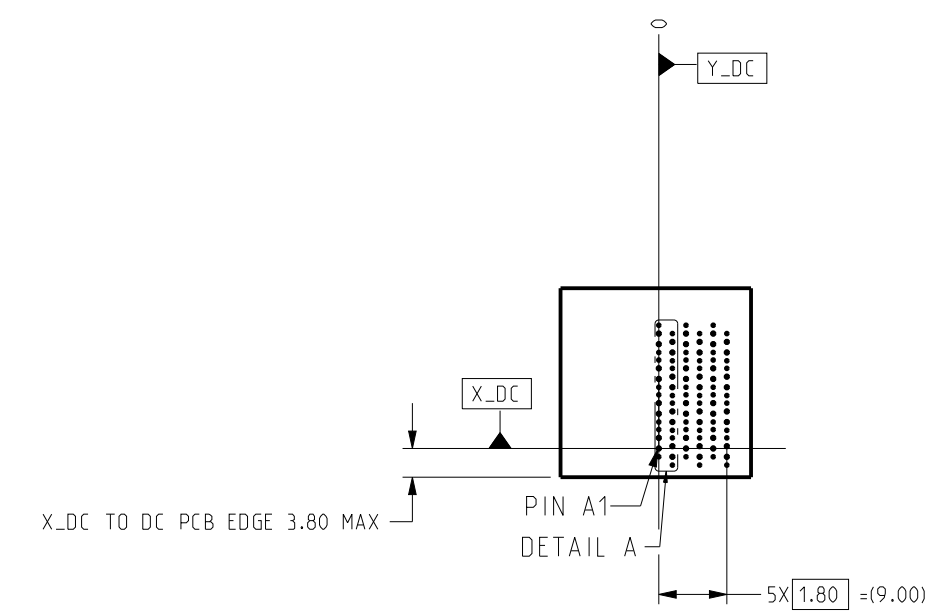
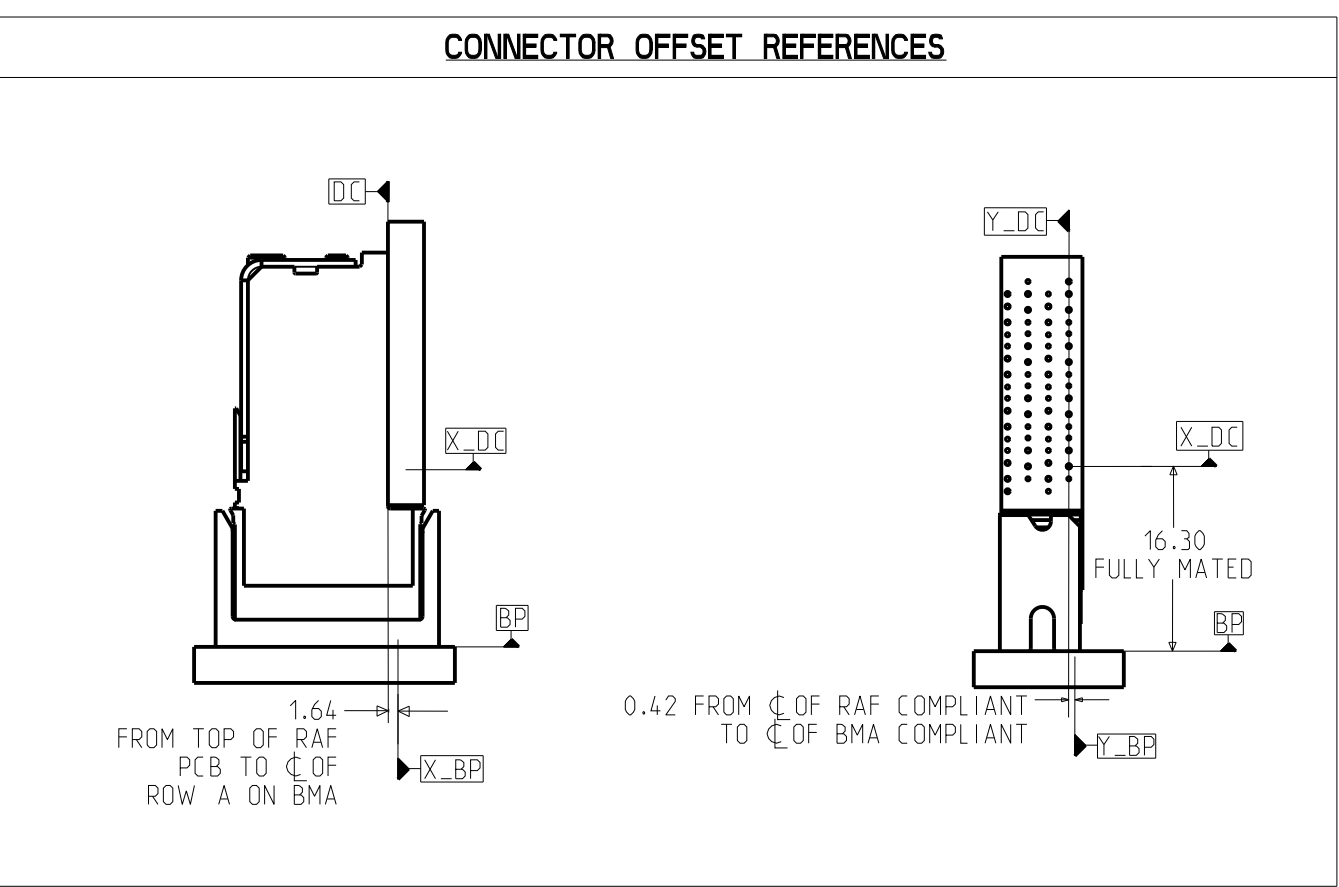
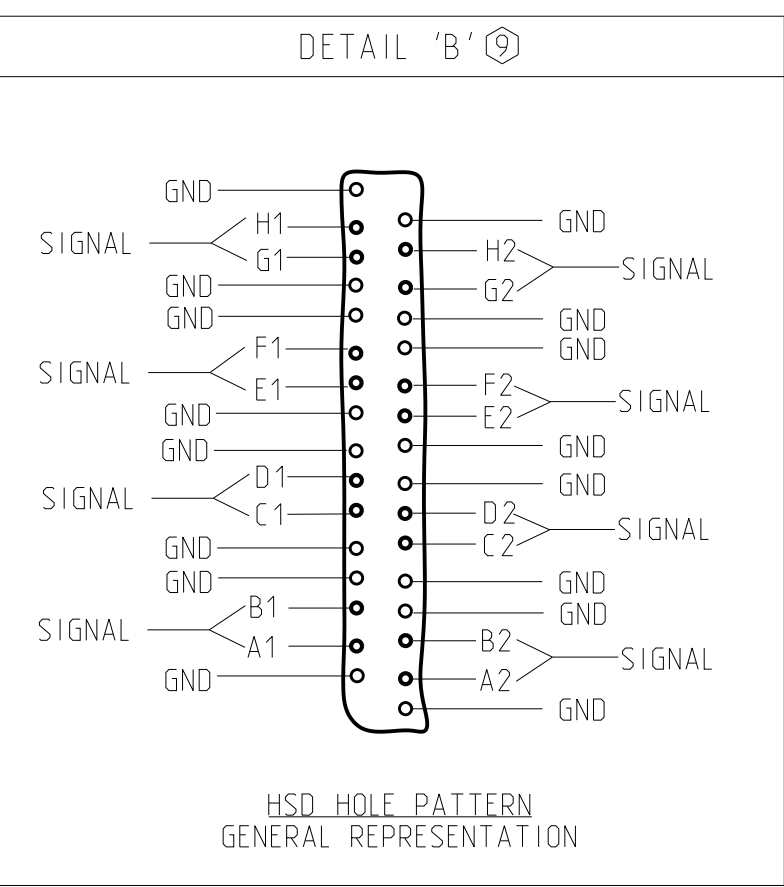
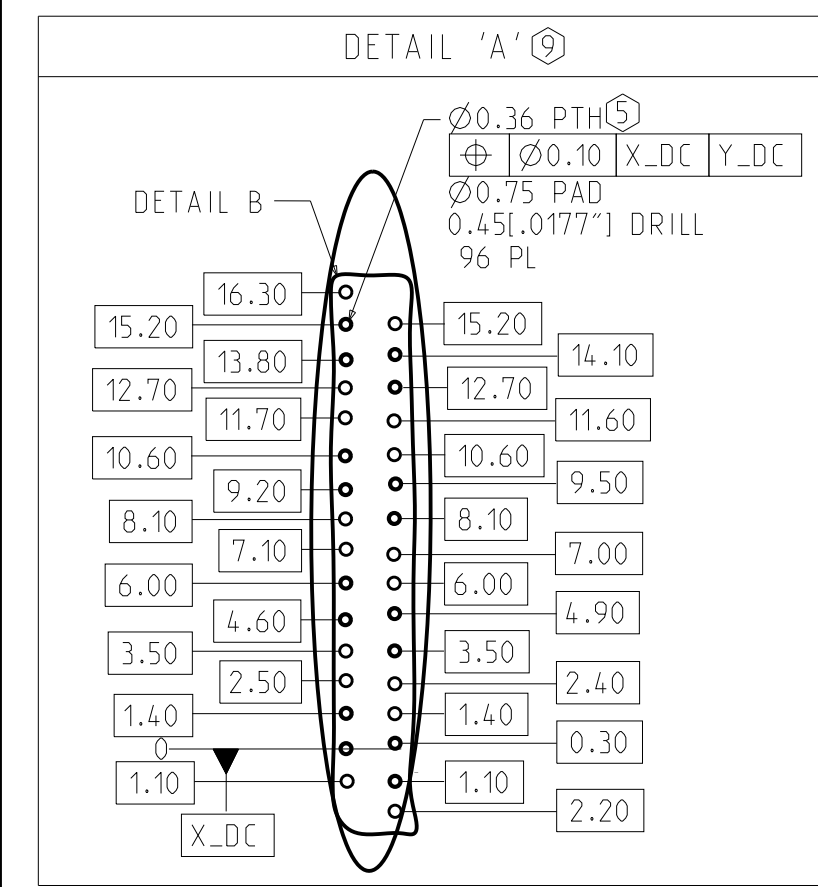
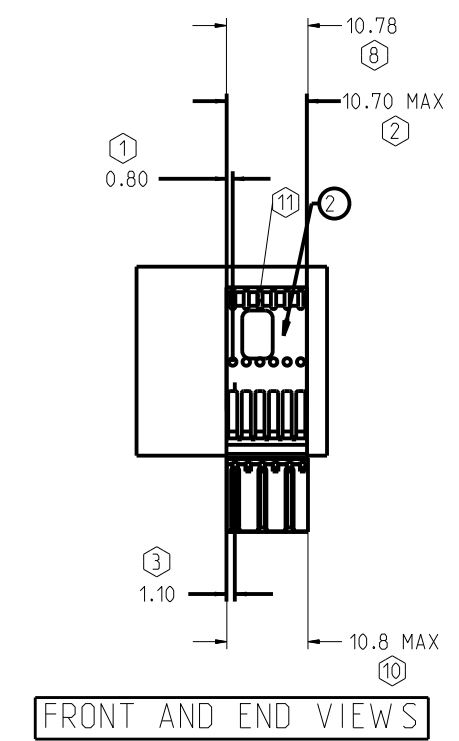


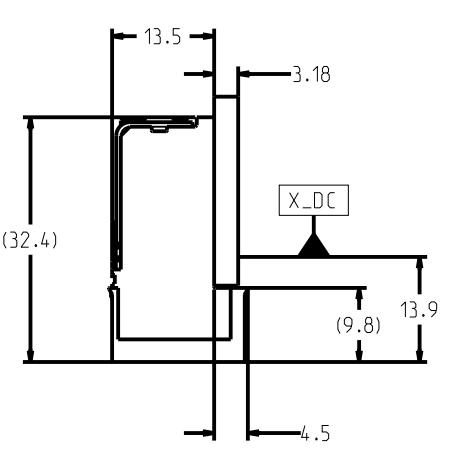
REV	ECN	DESCRIPTION	BY	DATE	APPROVED
A	JLIU-22111610	RELEASE TO PRODUCTION	J.LIU	11/23/2022	J.LIU



FRONT VIEW - DC HOLE PATTERN ONLY, CONNECTOR SIDE REFERENCED FROM LEFT MOST SIGNAL COLUMN, ALL DIMENSIONS BASIC



BOTTOM VIEW MODULE LOCATIONS FROM LEFT END OF PLASTIC



ITEM	PART NUMBER	DESCRIPTION	QTY
1	915-420B-BOH	XCede HD PLUS 4PAIR HSD MOD w/ XG, 6POS, 850HMS, .0177" DRILL, NANO NI, STD GOLD	1
2	617-1421-010	XCede HD PLUS 4PAIR STIFFENER	1

NOTE: SEE FRONT VIEW FOR STIFFENER LENGTH.

NOTES:

- ① DISTANCE FROM FIRST STIFFENER PILOT HOLE TO LEFT END OF STIFFENER.
- ② TOTAL LENGTH OF STIFFENER.
- ③ DISTANCE FROM CENTERLINE OF 1ST COLUMN OF SIGNAL PLATED THRU HOLES TO LEFT EDGE OF CONNECTOR.
- ④ MOUNTING SCREWS AND JOINER MODULES (IF PRESENT) TO BE BAGGED WITH EACH CONNECTOR ASSEMBLY.
- ⑤ STATED PAD SIZE MAY REQUIRE FILLETING. SEE TB-2237 FOR ROUTING, HOLE WALL PLATING THICKNESS AND FINISHED HOLE SIZE.
- ⑥ NA.
- ⑦ REFER TO TB-2307 FOR XCede HD PLUS PRODUCT SPECIFICATIONS.
- ⑧ OVERALL CONNECTOR LENGTH.
- ⑨ DETAIL VIEWS ARE NOT TO SCALE. DO NOT SCALE DRAWING.
- ⑩ FRONT HOUSING WIDTH. CONNECTORS CAN BE USED IN STACKABLE APPLICATION.
- ⑪ CONNECTOR IS LASER MARKED WITH MANUFACTURING INFORMATION. REFER TO DRAWING C-527-4133-000 FOR MARKING REQUIREMENTS AND DETAILS.

CUSTOMER: DISTRIBUTOR / XHD PLUS WITH EXTRA GROUND 4PAIR X 6. HSD 850HMS

TOLERANCES	DESIGN	DATE	DESIGNER
0.0	±0.25	10/13/2022	J.LIU
0.00	±0.13	10/13/2022	DRAWN AUTO GENERATED
0.000	± -	10/13/2022	CHK J.LIU
ANGLES	± 3°	11/23/2022	APVD J.LIU

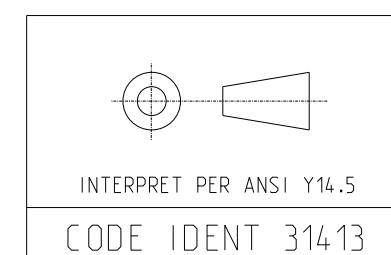
**Amphenol TCS**  
A Division of Amphenol Corporation  
200 Innovative Way, Nashua, NH 03062 803.879.3000

TITLE: XCede HD PLUS DAUGHTERCARD ASSEMBLY 4 PAIR CONNECTOR, LEADFREE

PART NO. JX419-50141  
DRAWING NO. C-JX419-50141

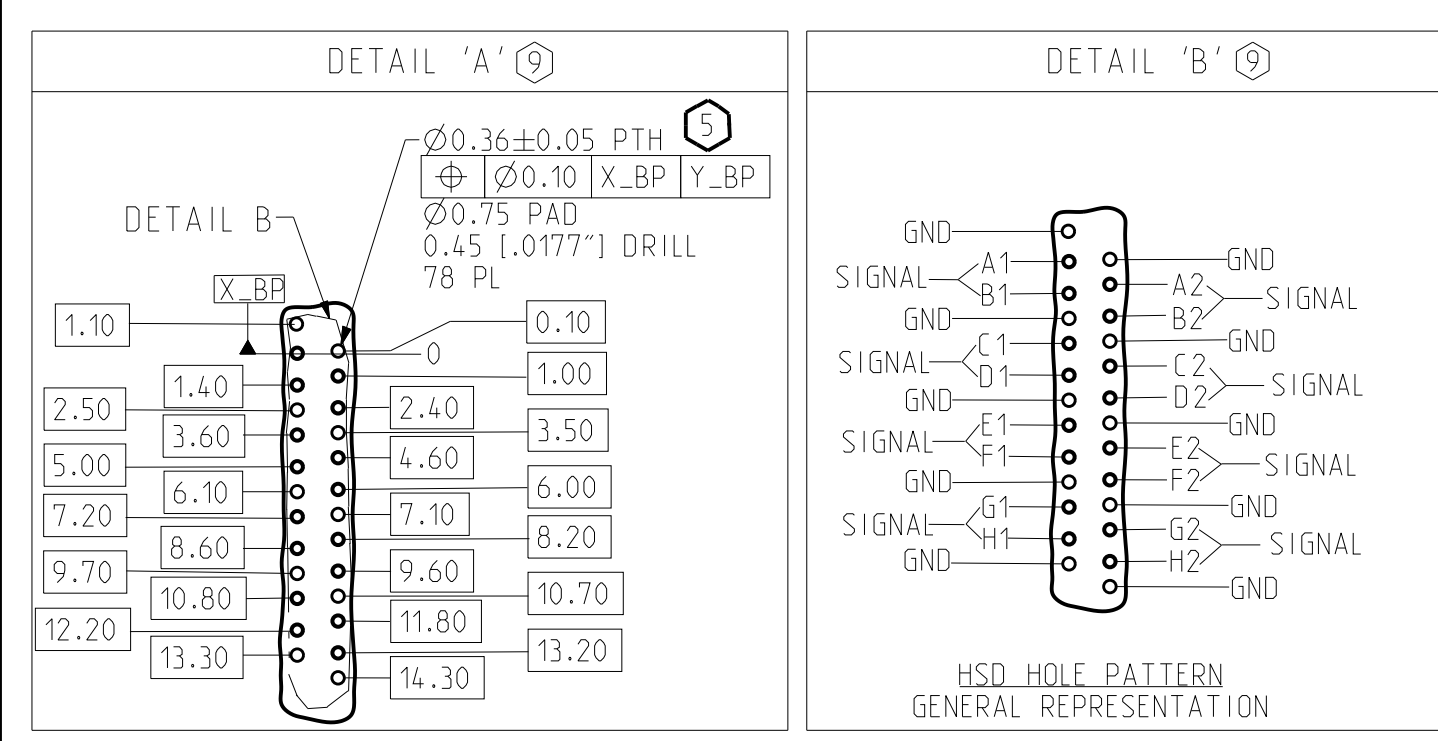
UNLESS OTHERWISE SPECIFIED DIMENSIONS ARE IN MM AND DECIMAL MARKER IS A PERIOD.

REV A

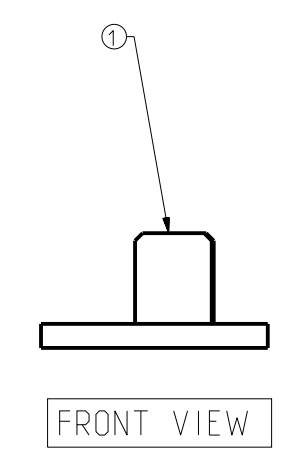
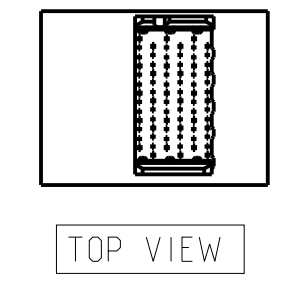
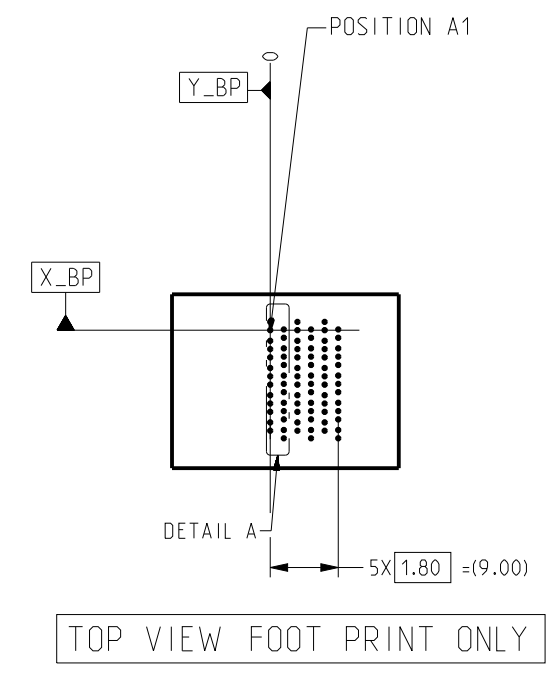


CUSTOMER USE DRAWING

REV	ECN	DESCRIPTION	BY	DATE	APPROVED
		SEE SHEET 1			



FOR REFERENCE ONLY; FOR SPECIFIC DETAILS, SEE C-USE DRAWINGS FOR BACKPLANE MODULES IN TABLE 2. BACKPLANE COMPONENTS MUST BE PURCHASED SEPARATELY AND MAY DIFFER FROM EXAMPLE SHOWN



ITEM	PART NUMBER	DESCRIPTION	QTY
1	926-401C-40H	XCede HD PLUS 4PAIR 6POS. OPEN. 3MM WIPE, .0177" DRILL, NANO NI, STD GOLD	1

CUSTOMER: DISTRIBUTOR / XHD PLUS WITH EXTRA GROUND 4PAIR X 6. HSD 850HMS

<p>INTERPRET PER ANSI Y14.5 CODE IDENT 31413</p>	<p>TOLERANCES</p> <table border="1"> <tr><td>0.0</td><td>±0.25</td></tr> <tr><td>0.00</td><td>±0.13</td></tr> <tr><td>0.000</td><td>± -</td></tr> <tr><td>ANGLES</td><td>± 3°</td></tr> </table>	0.0	±0.25	0.00	±0.13	0.000	± -	ANGLES	± 3°	<p>DESIGN 10/13/2022 J.LIU</p> <p>DRAWN 10/13/2022 AUTO GENERATED</p> <p>CHK 10/13/2022 J.LIU</p> <p>APVD 11/23/2022 J.LIU</p>	<p><b>Amphenol TCS</b> A Division of Amphenol Corporation 200 Innovative Way, Nashua, NH 03062 803.879.3000</p>	<p>TITLE XCede HD PLUS BACKPLANE ASSEMBLY 4 PAIR CONNECTOR, LEADFREE</p>	<p>REV A</p>
	0.0	±0.25											
0.00	±0.13												
0.000	± -												
ANGLES	± 3°												
<p>CUSTOMER USE DRAWING</p>	<p>UNLESS OTHERWISE SPECIFIED DIMENSIONS ARE IN MM AND DECIMAL MARKER IS A PERIOD.</p>	<p>PART NO. JX419-50141</p> <p>DRAWING NO. C-JX419-50141</p> <p>CRED FILES JX419-50141_BP_ASM JX419-50141_BP.DRW</p>	<p>SIZE D</p>	<p>SCALE 1/1</p>	<p>SHEET 2 OF 2</p>								