

**NEW!**

# JCH Series Microminiature IP64 Sealed SMT Detect Switch

## Features/Benefits

- SMT process compatible
- Low profile
- Low actuation force
- Sealed IP 64
- Lead free and halogen free
- RoHS

## Typical Applications

- Portable/Handheld electronics
- Health care
- Automotive
- A/V equipment
- Mobile phone and peripherals
- Security
- Detection of mechanical movements
- Battery placement detection
- Camera door detection



## Specifications

CONTACT RATING: 1 mA @ 5 VDC.  
 MECHANICAL & ELECTRICAL LIFE: 100,000 cycles.  
 CONTACT RESISTANCE: < 1 Ω (initial).  
 INSULATION RESISTANCE: > 100 M Ω .  
 OPERATING TEMPERATURE: -20°C to +70°C.  
 SOLDERABILITY: IR compatible, no wash. 260°C max.  
 PACKAGING: Bulk or tape & reel (2,800 per reel).

## Materials

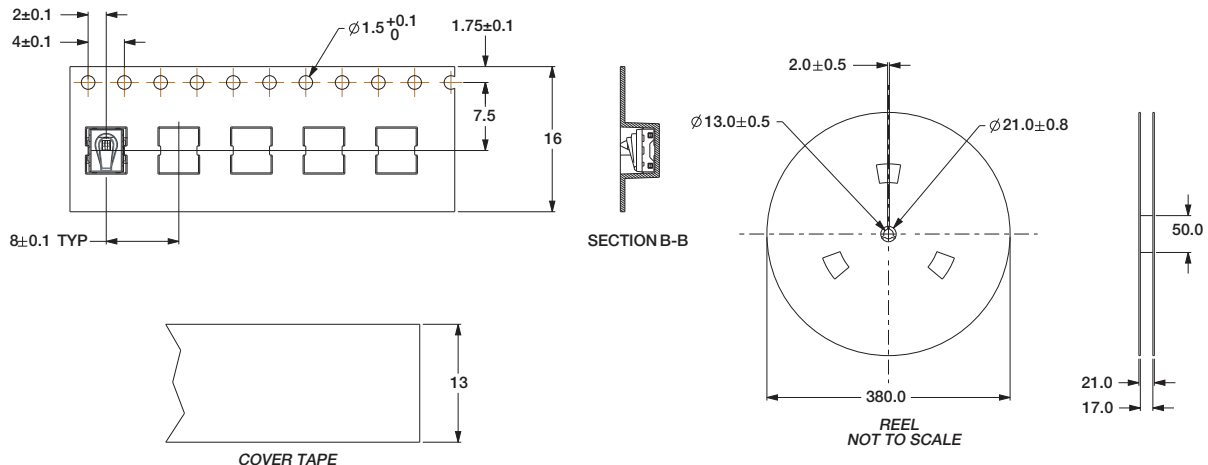
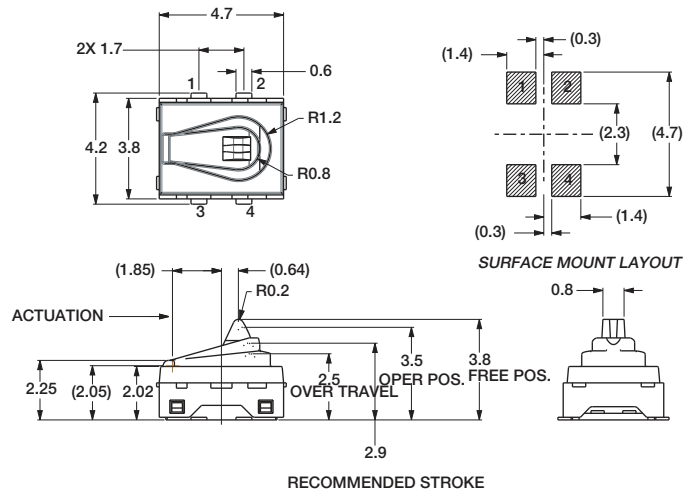
BASE: PA46 (UL 94V-0).  
 ACTUATOR: PA46 (UL94V-0).  
 COVER/DUST SEAL: PA 46 (UL94V-0) / Silicone.  
 MOVABLE CONTACT: Stainless steel, silver over nickel plate.  
 TERMINALS: Phosphor bronze, silver over nickel plate

**NOTE:** Specifications and materials listed above are for switches with standard options. For information on specific and custom switches, consult Customer Service Center.

## How to Order

Complete part numbers for JCH Series Switches are shown below.

PART NUMBER	PACKAGING	SCHEMATIC
<b>JCH1AQNP</b>	BULK	
<b>JCH1AQNPR</b>	TAPE & REEL	



Dimensions are shown: mm  
 Specifications and dimensions subject to change



**Detect**