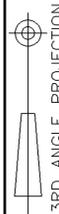


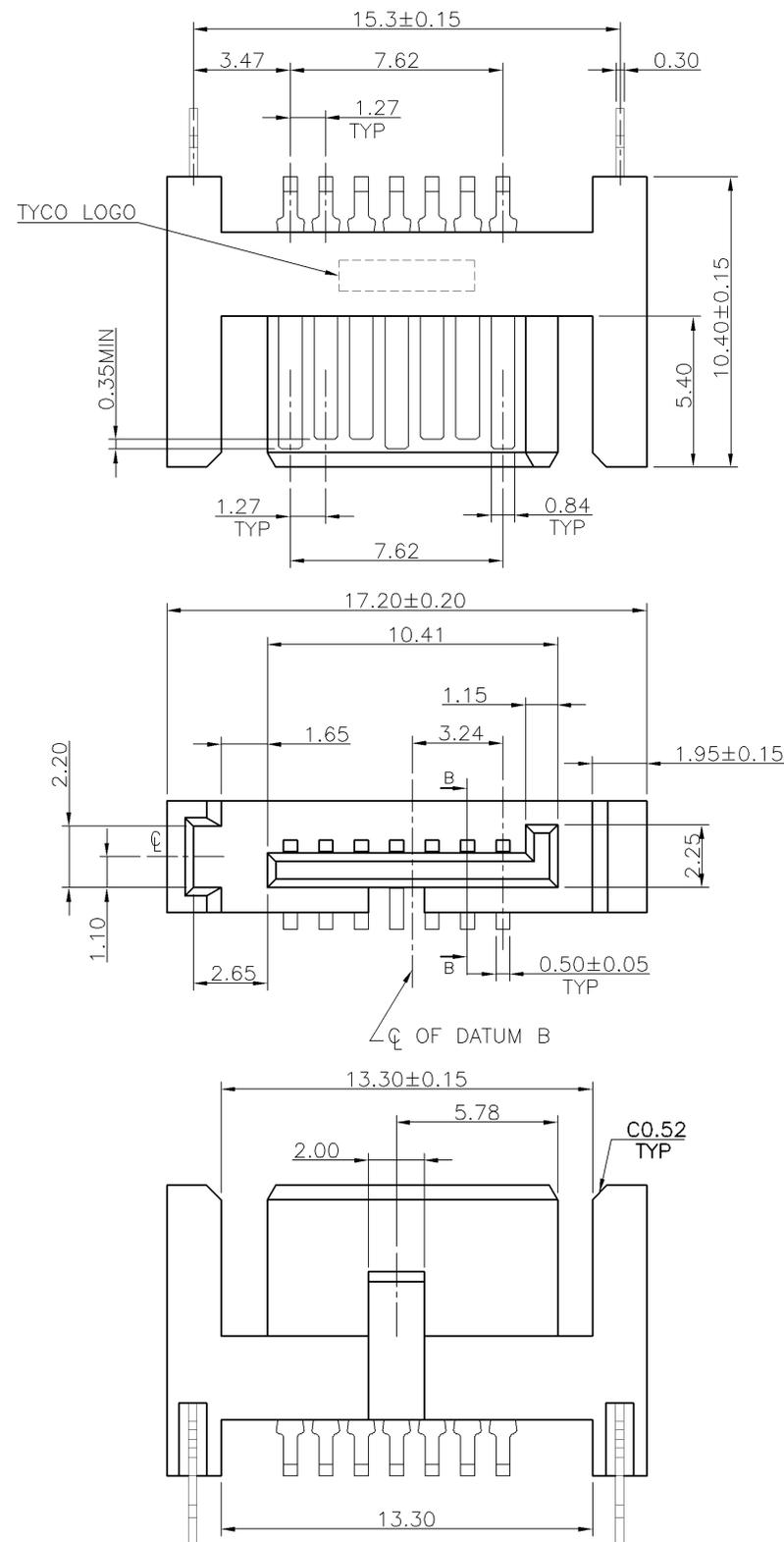
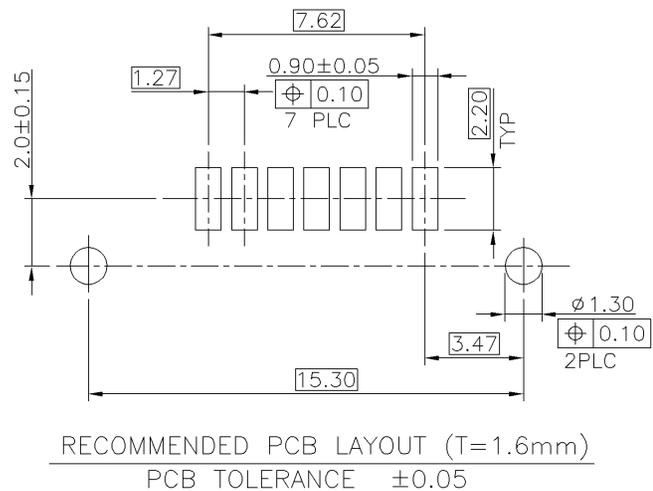
NUMBER
C-1734058



METRIC

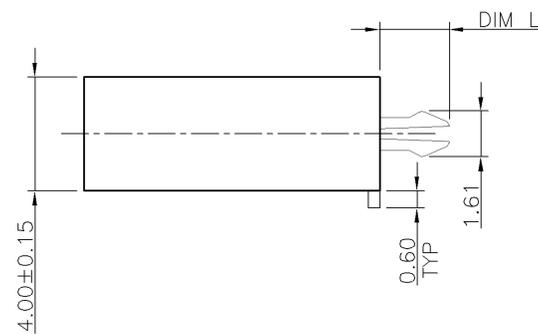
DIMENSIONS IN MILLIMETERS. DO NOT SCALE PRINT.

PRINT DIST
DW



NOTE:

- MATERIAL:
HOUSING: THERMOPLASTIC (LCP) WITH 30% GF, UL 94V-0, BLACK COLOR.
CONTACTS: BRASS.
BOARDLOCKS: BRASS.
- FINISH:
CONTACTS: (SEE TABLE) GOLD PLATED ON CONTACT AREA, 100μ" MIN. MATTE-TIN ON SOLDER TAIL, WITH ENTIRE CONTACT UNDERPLATED 50μ" MIN. NICKEL.
BOARDLOCKS: 100μ" MIN. MATTE-TIN OVER 50μ" MIN. NICKEL.
- REFLOW SOLDER CAPABLE TO 260°C AS PER **TE Connectivity** SPEC. 109-201, CONDITION B.
- NO DATE CODE ON THE PRODUCT.



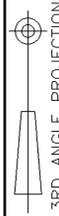
3.30	15μ"	1734058-4
2.45	30μ"	1734058-3
	15μ"	1734058-2
	GOLD FLASH	1734058-1
DIM L	GOLD PLATING	PART NUMBER

TOLERANCES UNLESS OTHERWISE SPECIFIED: 0 PLC ± - 1 PLC ± 0.3 2 PLC ± 0.25 3 PLC ± 0.2 ANGLES ± 3°		DWN A. WU 06-JUN-2006	TE Connectivity	
MATERIAL SEE NOTE		CHK S. HOU 06-JUN-2006	NAME SERIAL ATA, 7 POS., PLUG, VERTICAL, SMT TYPE.	
FINISH SEE NOTE		APVD W.J. KE 06-JUN-2006	LOC DW	SIZE A ₃
		PRODUCT SPEC 108-57261	DRAWING NO C-1734058	REV A1
		APPLICATION SPEC -	SCALE --	SHEET 1 OF 2
		WEIGHT 0.7 g		

A1	REVISION RECORD	REVISED PER ECO-11-005301	RK HMR	5APR11
LTR		eco	DWN CHK	DATE

CUSTOMER DRAWING

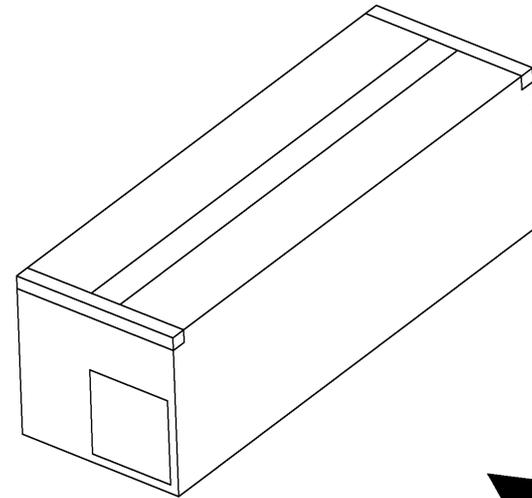
NUMBER
C-1734058



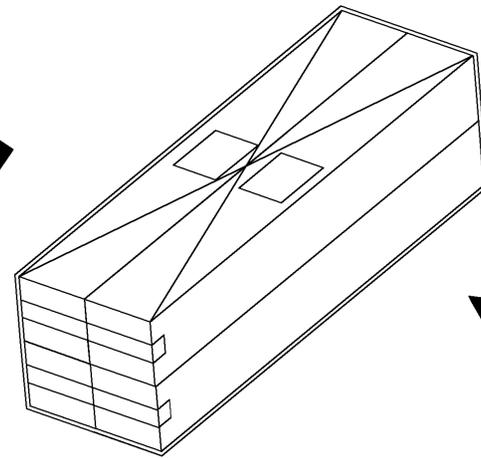
METRIC

DIMENSIONS IN MILLIMETERS. DO NOT SCALE PRINT.

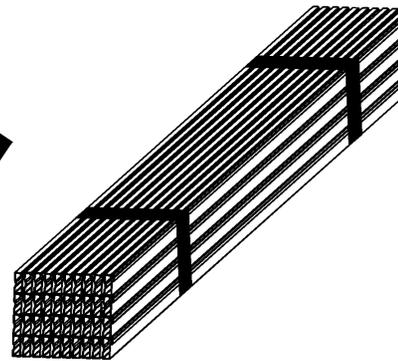
PRINT DIST
DW



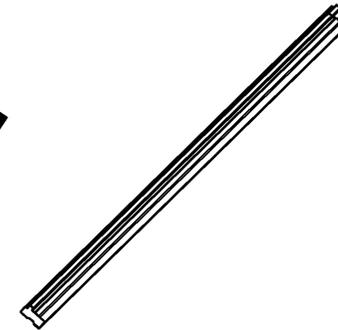
SHIPPING CARTON



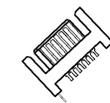
INNER CARTON



SHEAF



TUBE



PRODUCT

NOTE:

1. DIMENSION

TRAY: 460 X 7.5 X 15.8

INNER CARTON: 485 X 86 X 72

SHIPPING CARTON: 500 X 187 X 169

2. QUANTITY

25 PCS/TUBE

40 TUBES/SHEAF

1 SHEAF/INNER CARTON

4 INNER CARTON/SHIPPING CARTON

4000 PCS/SHIPPING CARTON

3. WEIGHT:

N.W: 5 KG

G.W: 6 KG

8

7

6

5

4

3

2

1

CUSTOMER DRAWING

LTR	REVISION RECORD	SEE SHEET 1 eco	DWN CHK	DATE
-----	-----------------	--------------------	------------	------

TOLERANCES UNLESS OTHERWISE SPECIFIED: 0 PLC ± 1 PLC ± 2 PLC ± 3 PLC ± ANGLES ±	DWN	A. WU 06-JUN-2006		TE Connectivity
	CHK	S. HOU 06-JUN-2006		
MATERIAL -	APVD	W.J. KE 06-JUN-2006	NAME SERIAL ATA, 7 POS., PLUG, VERTICAL, SMT TYPE.	
	PRODUCT SPEC	-	LOC	SIZE
FINISH -	APPLICATION SPEC	-	DW	A ₃
	WEIGHT	-	DRAWING NO	REV
			SCALE	SHEET
			--	2 OF 2

D

C

B

A