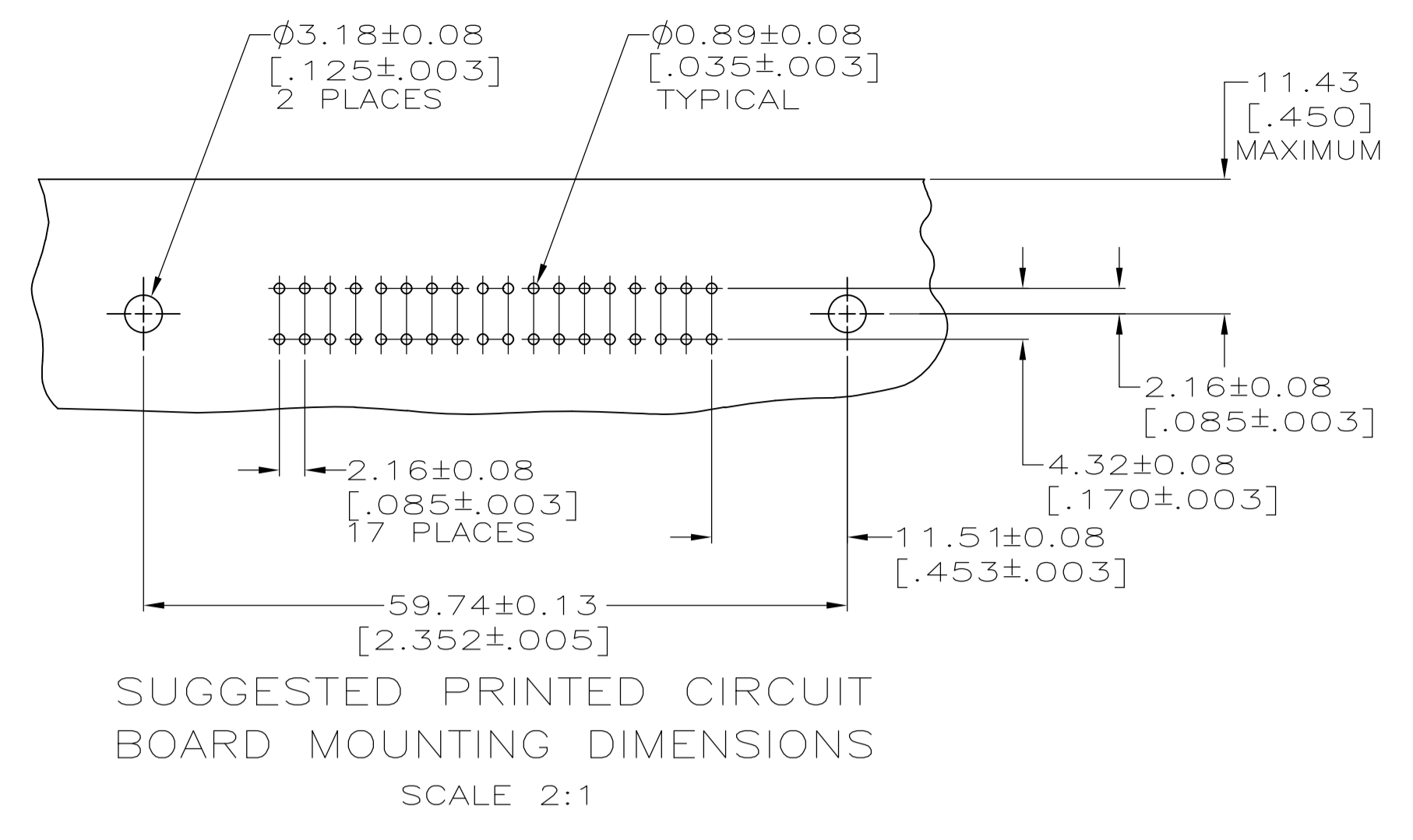
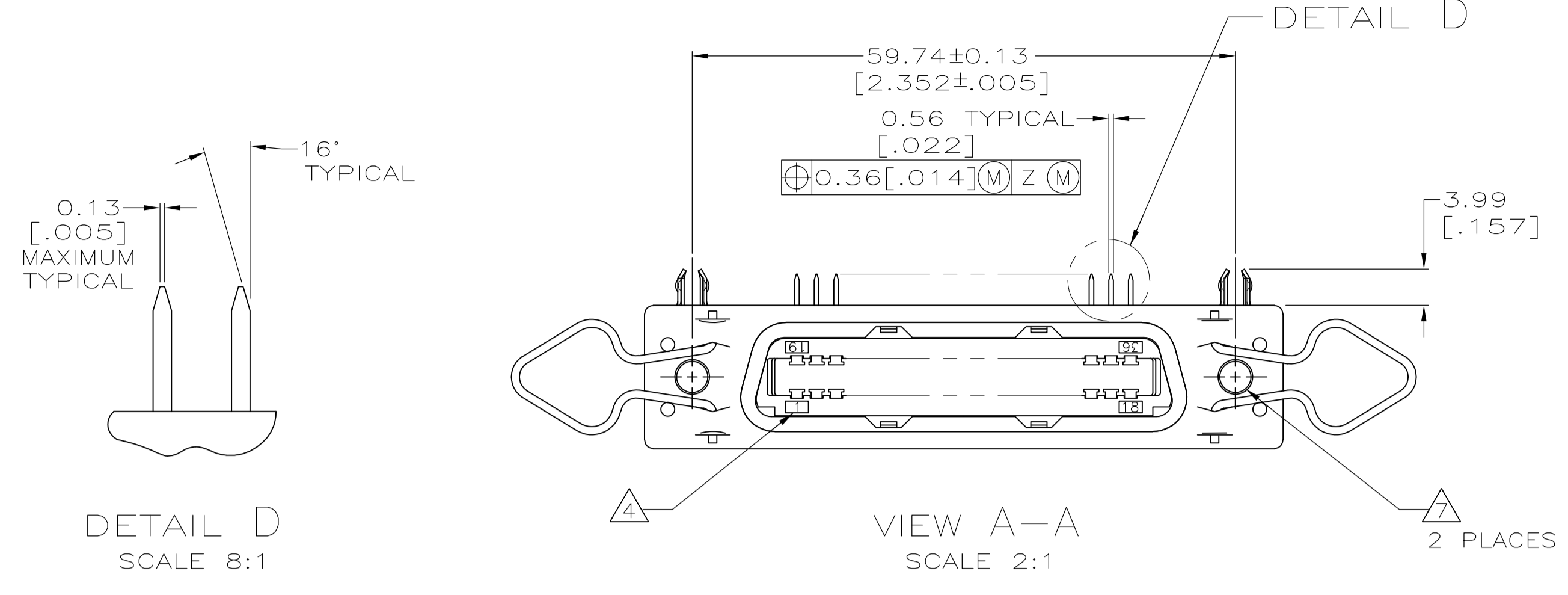
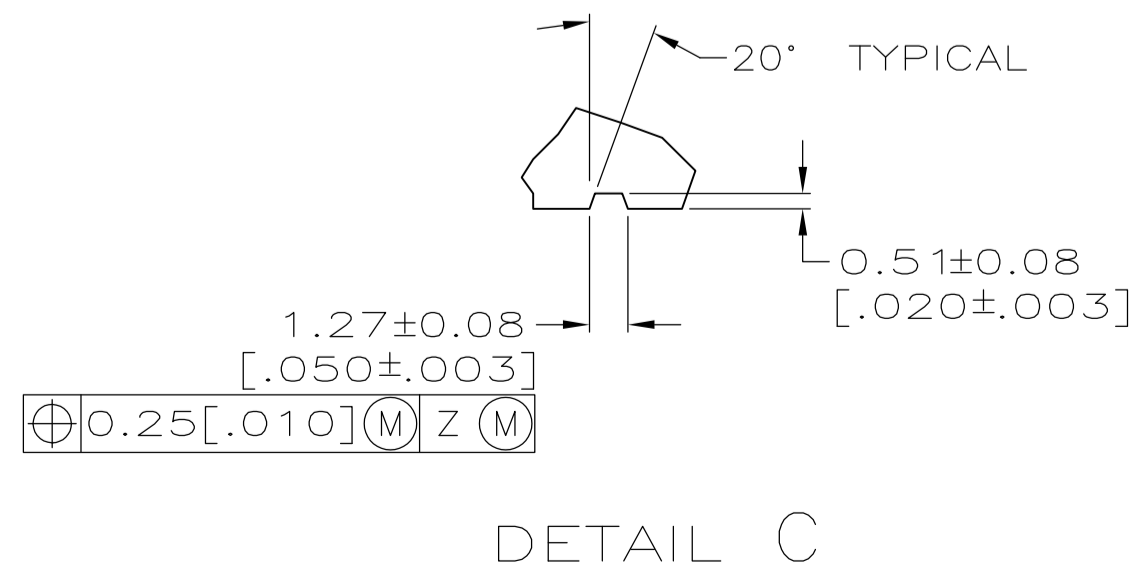
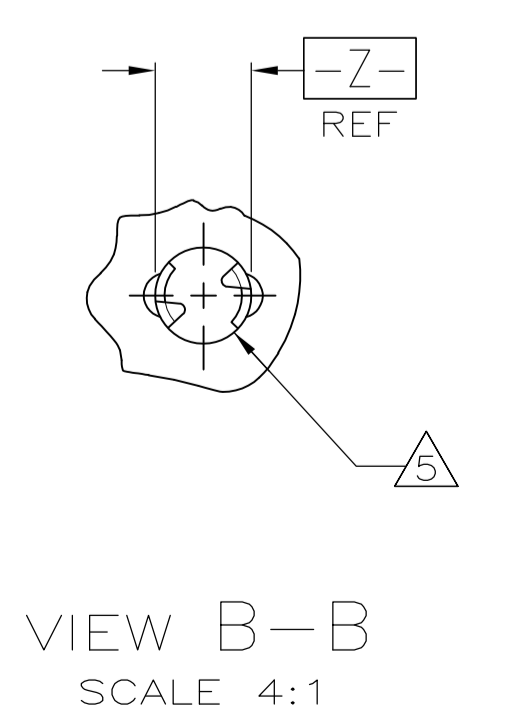
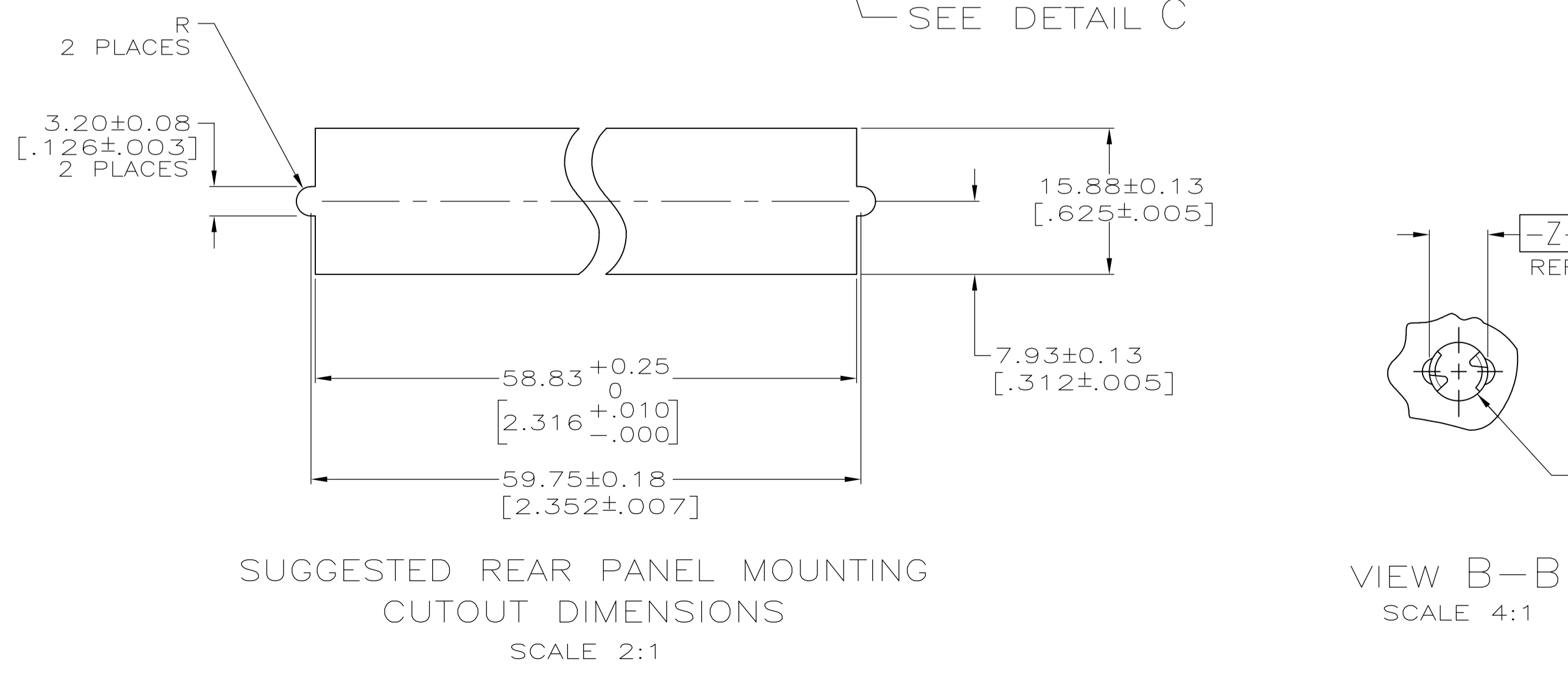
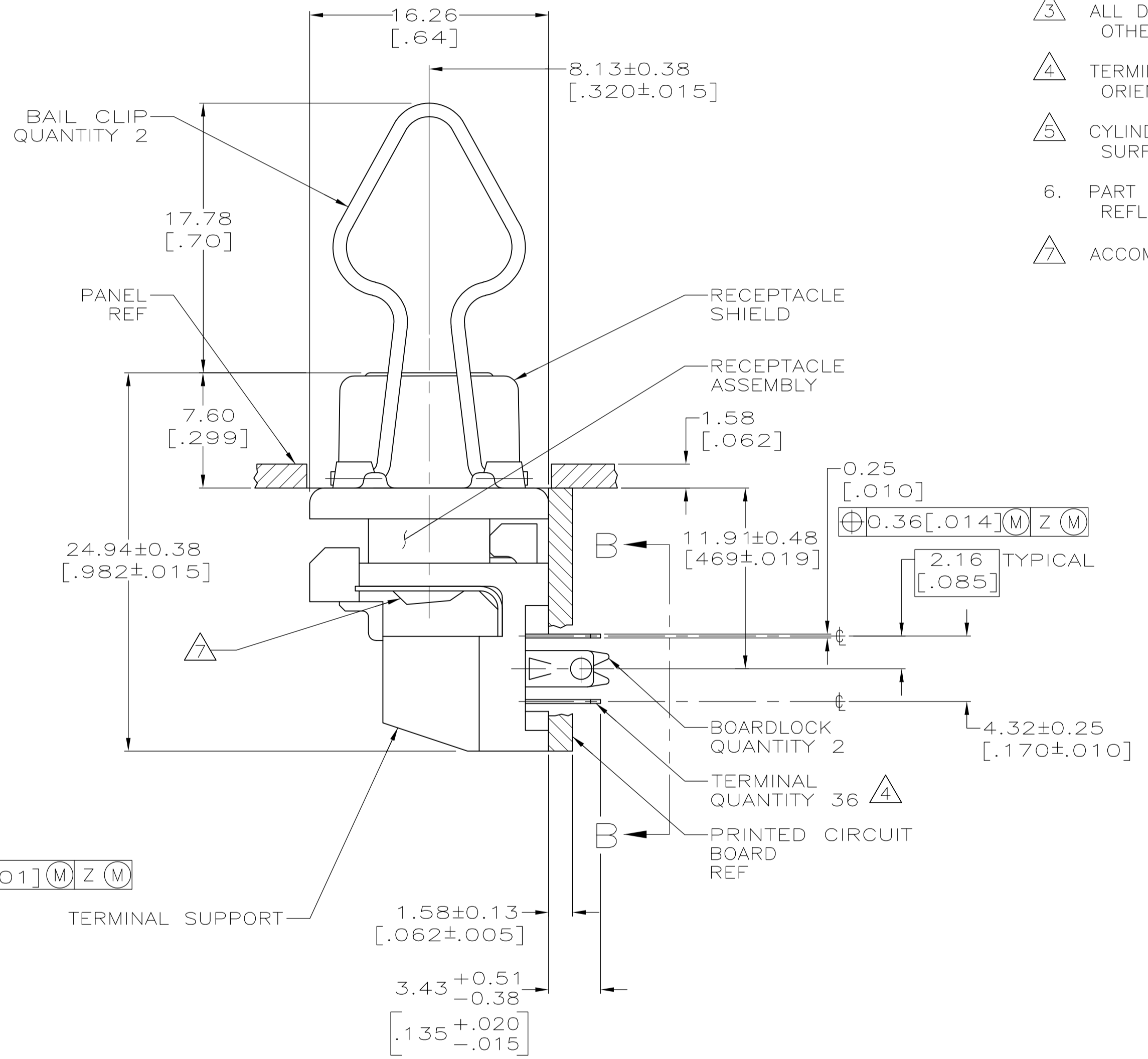
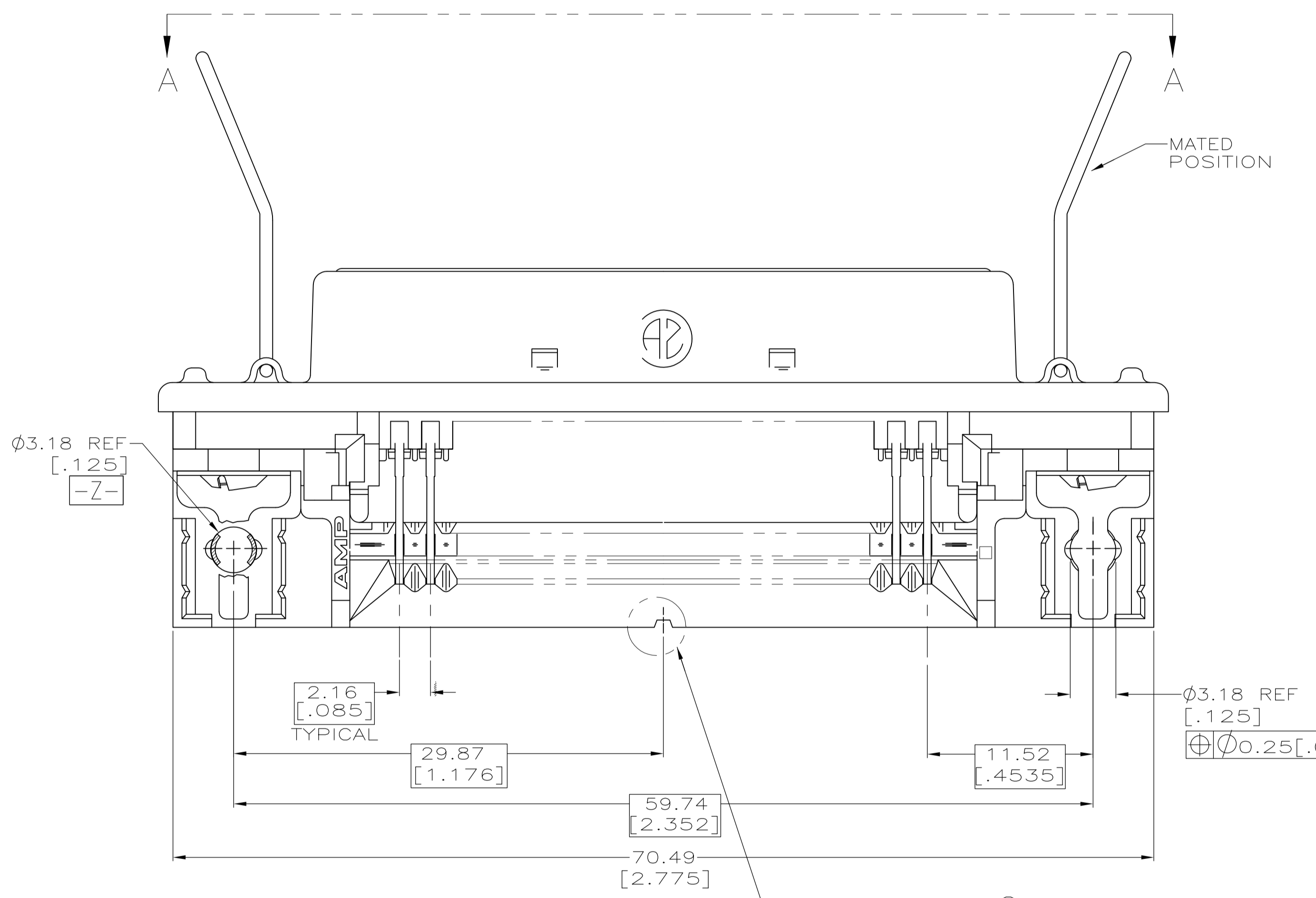


LOC		DIST		REVISIONS			
GP	00	F	LTR	DESCRIPTION	DATE	DM	APVD
B				REVISED PER ECO-08-007327	09APR08	BM	WM



- 1 MATERIAL:  
 TERMINAL SUPPORT - 94 V-O HTN, BLACK, OR EQUIVALENT.  
 HOUSING - 94 V-O HTN, BLACK, OR EQUIVALENT.  
 BAIL CLIPS - PASSIVATED STAINLESS STEEL.  
 RECEPTACLE SHIELD - BRIGHT NICKEL OVER CARBON STEEL.  
 TERMINALS - HIGH STRENGTH COPPER ALLOY PLATED WITH EITHER 0.76µm [.000030] MIN GOLD PLATE OR GOLD FLASH OVER PALLADIUM NICKEL PLATE, 0.76µm [.000030] MIN TOTAL ON MATING SURFACE. 3.05µm [.000120] MIN TIN PLATE ON TAILS. ALL OVER 1.27µm [.000050] MIN NICKEL UNDERPLATE OVER ENTIRE TERMINAL.  
 BOARDLOCK - TIN PLATED CARBON STEEL.
2. THE CONTACT SURFACES OF THE TERMINALS ARE COATED WITH LUBRICANT.
- 3 ALL DIMENSIONS SHOWN ARE MAXIMUM UNLESS OTHERWISE SPECIFIED.
- 4 TERMINAL 1 LOCATED IN THIS ROW FOR STANDARD ORIENTATION.
- 5 CYLINDRICAL SHAPE OFFERS 180° OF SOLDERING SURFACE.
6. PART WILL WITHSTAND INFRARED AND VAPOR PHASE REFLOW TEMPERATURE FOR 90 SECONDS.
- △ ACCOMMODATES #4-40 UNC-2A THREAD.



5555520-2  
PART NUMBER

THIS DRAWING IS A CONTROLLED DOCUMENT.		DIN B MCMMASTER 26AUG05	Tyco Electronics Corporation Harrisburg, PA 17105-3608	
DIMENSIONS: mm [INCHES]		CHK W MILLHIMES 26AUG05	NAME RCPT ASSY, SHIELDED, 36 POSN, RIGHT ANGLE, WITH THREADED BOARDLOCK, CHAMP®	
TOLERANCES UNLESS OTHERWISE SPECIFIED:		APVD W MILLHIMES 26AUG05	APPLICATION SPEC	
0 PLC ± ± △ 3	1 PLC ± ± △ 3	SIZE CASE CODE DRAWING NO RESTRICTED TO		
2 PLC ± ± △ 3	3 PLC ± ± △ 3	A1 00779 C=5555520		
4 PLC ± ± △ 3	ANGLES ± ±	WEIGHT		
MATERIAL △ 1	FINISH △ 1	CUSTOMER DRAWING SCALE 4:1 SHEET 1 OF 1 REV B		