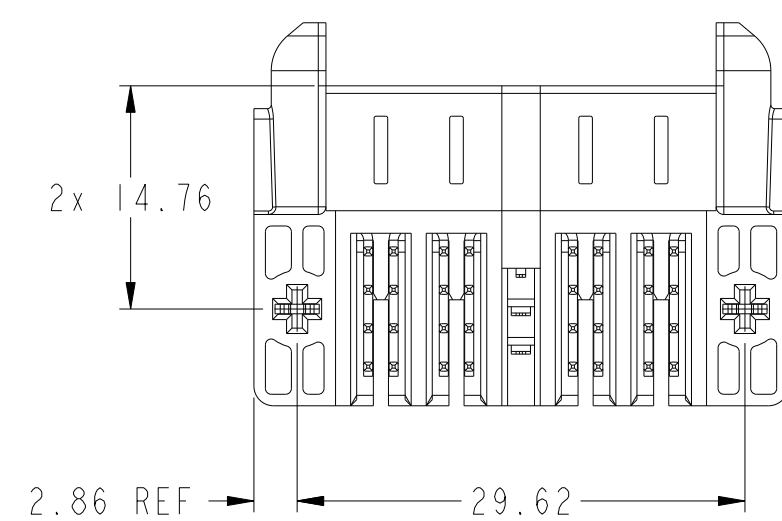
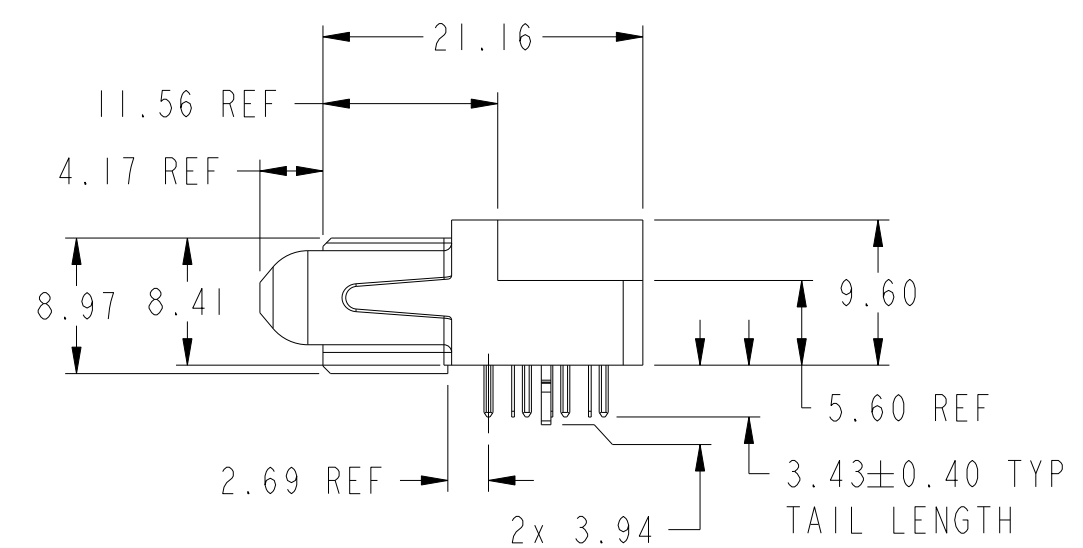
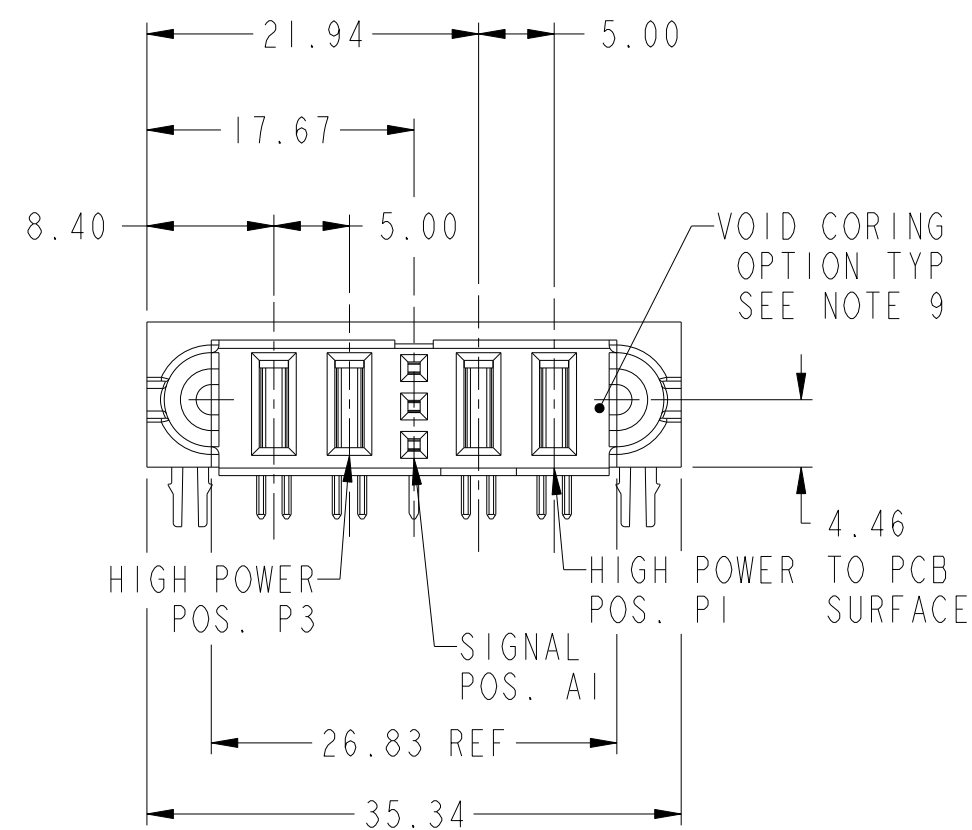
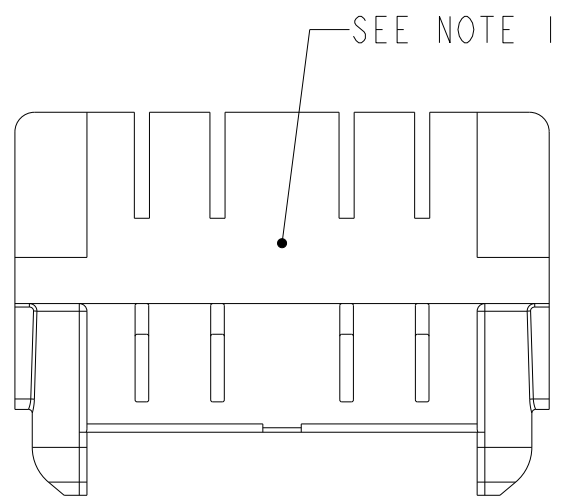


PRODUCT NUMBER  
10127401-11H1410LF



spec ref	-	dr	Kaka Zhang	2016/01/21	projection	MM	size	A2	scale	2:1									
tolerance std	-	eng	Kaka Zhang	2016/01/29			ecn no	-	rel level	Released									
ASME Y14.5	TOLERANCES UNLESS OTHERWISE SPECIFIED	chr	Fancy Zhang	2016/01/28															
		appr	Pei-Ming Zheng	2016/01/29															
surface	<table border="1"> <tr> <td rowspan="3"> </td> <td>linear</td> <td>0.X</td> <td>±0.5</td> </tr> <tr> <td></td> <td>0.XX</td> <td>±0.25</td> </tr> <tr> <td></td> <td>0.XXX</td> <td>±0.130</td> </tr> <tr> <td>ASME Y14.5</td> <td>angular</td> <td>0°</td> <td>±2°</td> </tr> </table>		linear	0.X	±0.5		0.XX	±0.25		0.XXX	±0.130	ASME Y14.5	angular	0°	±2°		<b>2HP+3S+2HP, SOLDER-TO-BOARD</b> R/A RECEPTACLE, PwrBlade ULTRA	dwg no <b>10127401-11H1410</b>	rev <b>A</b>
	linear		0.X	±0.5															
			0.XX	±0.25															
		0.XXX	±0.130																
ASME Y14.5	angular	0°	±2°																
		www.fci.com	cat. no.	-	Product - Customer Drw		sheet 1 of 3												

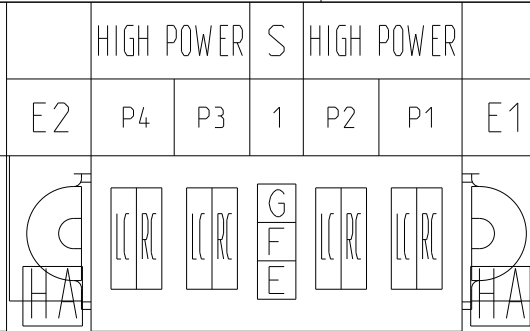
Copyright FCI.  
**FCI**

PRODUCT NO.

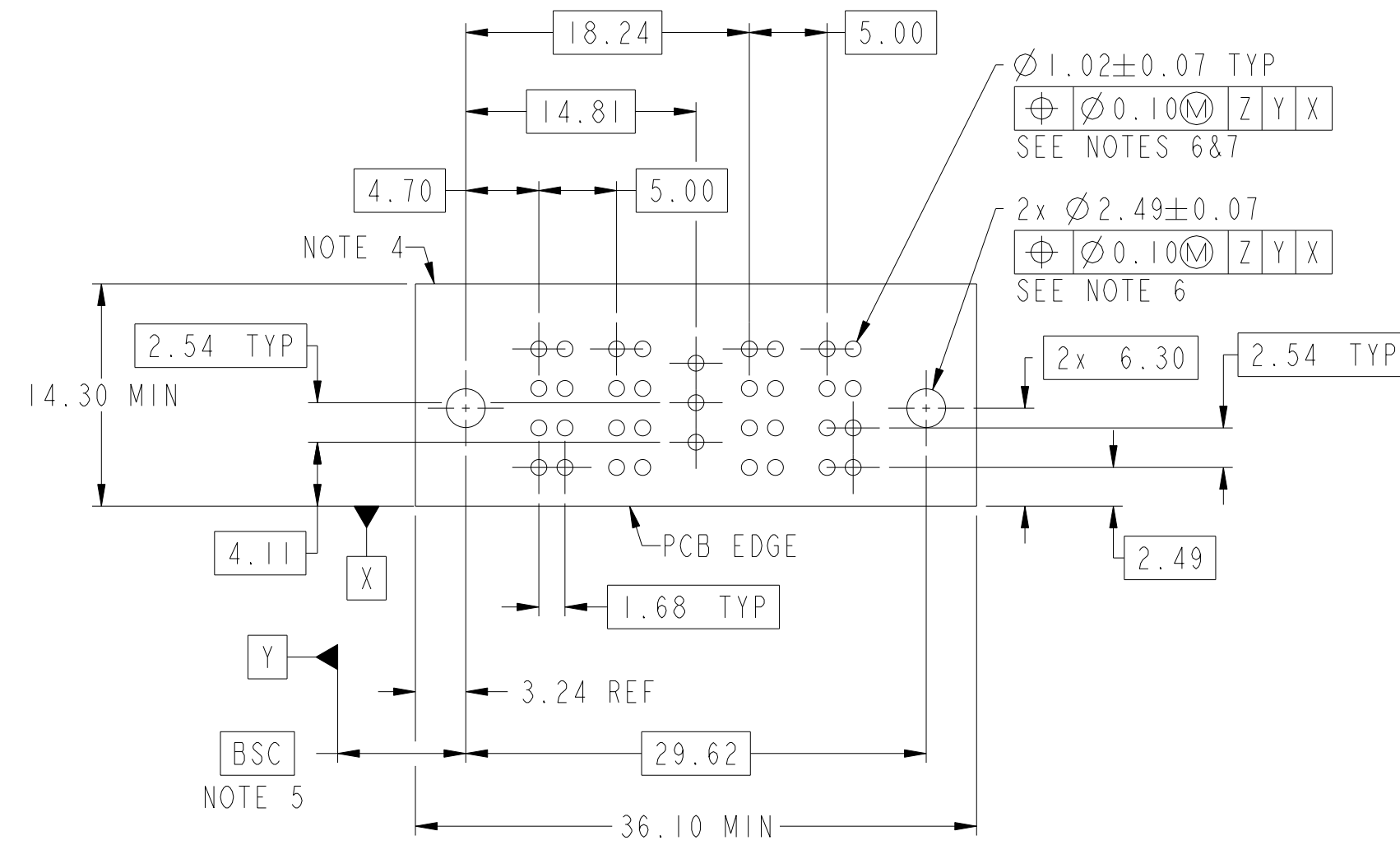
ROWS

10127401-11H1410LF

C  
B  
A



CODE	COMPONENTS NUMBER
RC	RIGHT POWER CONTACT
LC	LEFT POWER CONTACT
E	SIGNAL CONTACT
F	SIGNAL CONTACT
G	SIGNAL CONTACT
HA	HOLD DOWN



spec ref	-	dr	Kaka Zhang	2016/01/21	projection	MM	size	A2	scale	2:1											
tolerance std	ASME Y14.5	eng	Kaka Zhang	2016/01/29			ecn no	-	rel level	Released											
TOLERANCES UNLESS OTHERWISE SPECIFIED		chr	Fancy Zhang	2016/01/28																	
		appr	Pei-Ming Zheng	2016/01/29																	
surface	<table border="1"> <tr> <td>linear</td> <td>0.X</td> <td><math>\pm 0.5</math></td> </tr> <tr> <td></td> <td>0.XX</td> <td><math>\pm 0.25</math></td> </tr> <tr> <td></td> <td>0.XXX</td> <td><math>\pm 0.130</math></td> </tr> <tr> <td>angular</td> <td>0°</td> <td><math>\pm 2^\circ</math></td> </tr> </table>	linear	0.X	$\pm 0.5$		0.XX	$\pm 0.25$		0.XXX	$\pm 0.130$	angular	0°	$\pm 2^\circ$			<b>2HP+3S+2HP, SOLDER-TO-BOARD</b> R/A RECEPTACLE, PwrBlade ULTRA		dwg no <b>10127401-11H1410</b>	rev <b>A</b>	Product - Customer Drw	
linear	0.X	$\pm 0.5$																			
	0.XX	$\pm 0.25$																			
	0.XXX	$\pm 0.130$																			
angular	0°	$\pm 2^\circ$																			
ASME Y14.5		www.fci.com	cat. no.	-	Product - Customer Drw		sheet 2 of 3														

Copyright FCI.

PRODUCT NUMBER  
10127401-11H1410LF

NOTES:

- ①. "FCI", PART NUMBER AND DATE CODE TO BE MARKED ON THIS SURFACE.  
THE P/N CAN BE OMITTED IF THERE IS NOT ENOUGH SPACE ON THIS SURFACE.
2. MATERIALS:  
HOUSING: GLASS FILLED WITH HIGH TEMP POLYAMIDE, UL94V-0.  
POWER CONTACTS: COPPER ALLOY.  
SIGNAL CONTACTS: COPPER ALLOY.  
HOLD DOWN: COPPER ALLOY.
3. PLATING SPECIFICATION: FCI 10135186.
- ④. DENOTES CONNECTOR KEEP OUT ZONE.
- ⑤. DATUM AND BASIC DIMENSION ARE ESTABLISHED BY CUSTOMER.
- ⑥. ALL HOLE DIAMETERS ARE FINISHED HOLE SIZES.
- ⑦. 1.150±0.025mm DRILLED HOLE PLATED WITH 7.62µm MIN Sn OVER  
25.4µm-76.2µm Cu PLATING TO ACHIEVE A 1.02±0.07mm FINISHED HOLE.
8. PRODUCT SPECIFICATION: FCI GS-12-1176.  
APPLICATION SPECIFICATION: FCI GS-20-0389.  
PRODUCT PACKAGE SPECIFICATION: FCI GS-14-2354.
- ⑨. THE VOID CORING BETWEEN POWER MODULES, SIGNAL MODULES AND END MODULES ARE  
OPTIONAL AND THE SHAPE MAY BE DIFFERENT TO OPTIMIZE THE MOLDING  
PROCESS. THE VOID CORING WILL NOT EFFECT THE PRODUCT FUNCTION.

Copyright FCI. FCI

spec ref	-	dr	Kaka Zhang	2016/01/21	projection	MM	size	A2	scale	2:1
tolerance std	-	eng	Kaka Zhang	2016/01/29			ecn no	-	rel level	Released
ASME Y14.5	TOLERANCES UNLESS OTHERWISE SPECIFIED	chr	Fancy Zhang	2016/01/28						
surface	✓	appr	Pei-Ming Zheng	2016/01/29	product family	PwrBlade ULTRA	dwg no	10127401-11H1410	rev	A
ASME Y14.5	linear	0.X	±0.5		<b>2HP+3S+2HP, SOLDER-TO-BOARD</b>		cat. no. -	<b>Product - Customer Drw</b>		sheet 3 of 3
	0.XX	±0.25	<b>R/A RECEPTACLE, PwrBlade ULTRA</b>							
	0.XXX	±0.130								
	angular	0°	±2°	www.fci.com						