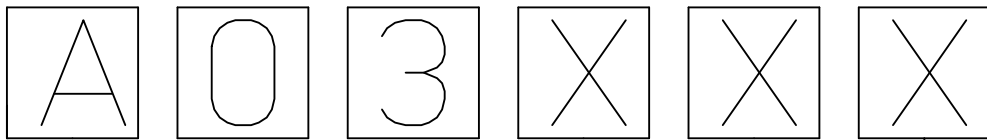


10 9 8 7 6 5 4 3 2 1



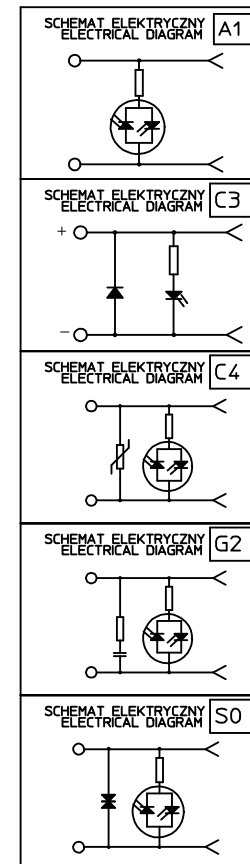
RODZAJ POLACZENIA/INTERNAL CIRCUIT
 PATRZ SCHEMATY POLACZEN/WIRING CONFIGURATION
 NAPIECIE ORAZ KOLOR DIODY/VOLTAGE AND LED COLOUR:

1= 12V	A= 12V	G= 12V
2= 24V	B= 24V	H= 24V
3= 48V	C= 48V	K= 48V
4= 115V	D= 115V	L= 115V
5= 230V	E= 230V	M= 230V

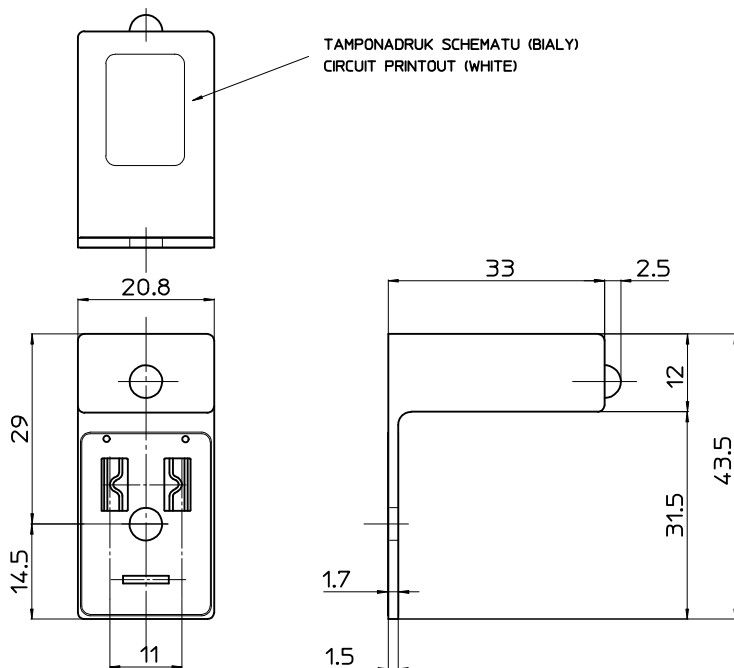
CZERWONA DIODA / RED LED (A, B, C)
 ZIELONA DIODA / GREEN LED (D, E)
 ZOLTA DIODA / YELLOW LED (G, H, K, L, M)

MOLEX PN	MPM PN	MOLEX PN	MPM PN
1210010077	A03A12	1210010107	A03G2D
1210010079	A03A14	1210010109	A03G2H
1210010089	A03C3B	1210010110	A03G2L
1210010091	A03C42	1210010081	A03A1H
1210010093	A03C44	1210010085	A03C32
1210010094	A03C45	1210010424	A03C3H
1210010095	A03C4B	1210010099	A03C4L
1210010098	A03C4H	1210010100	A03C4M
1210010102	A03G22		

SCHEMATY POLACZEN
 /WIRING CONFIGURATION

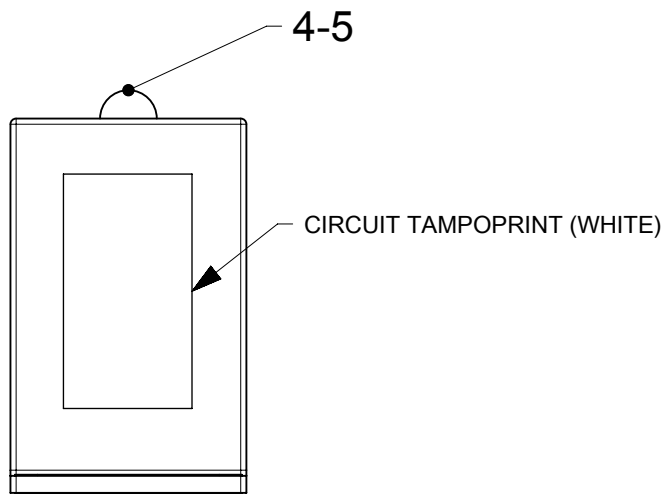
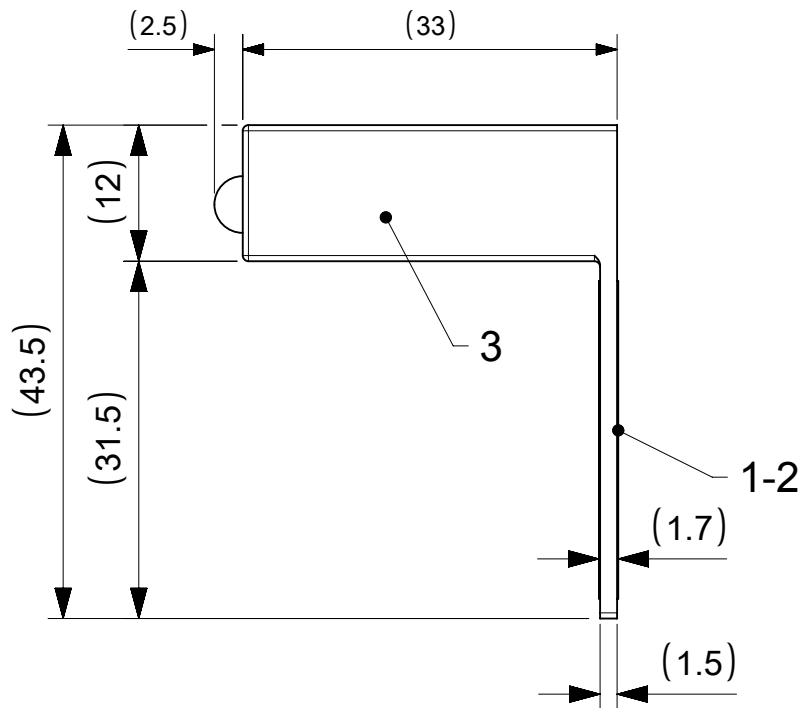
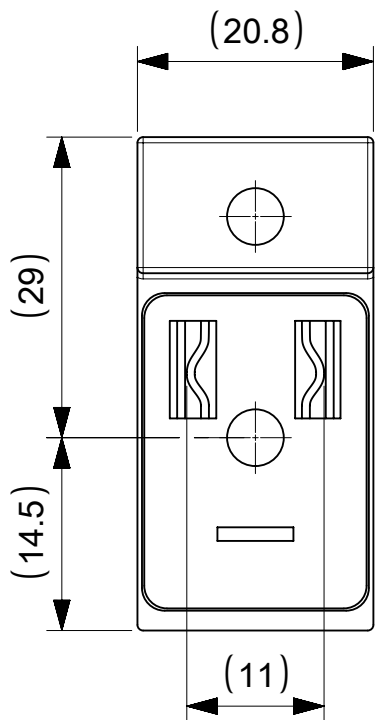


TAMPONADRUK SCHEMATU (BIALY)
 CIRCUIT PRINTOUT (WHITE)

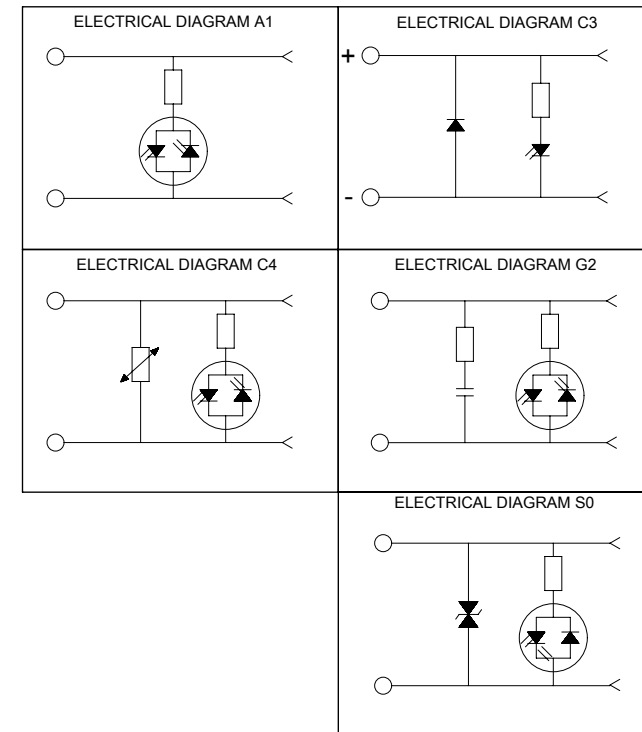


ORIGINAL RELEASE EC NO: WEU2009-0479 DRWIN: MWOLSZCZAK 2009/05/20 CHYKD: MDABROWSKA 2009/05/20 APPR: GOGRODNIK 2009/05/20	QUALITY SYMBOLS	GENERAL TOLERANCES (UNLESS SPECIFIED)	DIMENSION STYLE MM ONLY	SCALE ---	DESIGN UNITS METRIC	FIRST ANGLE PROJECTION
	DESCRIPTION	mm INCH	DRAWN BY DATE	TITLE		
	REV	4 PLACES ± --- ± ---	MLEVYTSKYY 2009/05/05	MPM A03 ADAPTORS		
		3 PLACES ± --- ± ---	CHECKED BY DATE	MOLEX INCORPORATED		
	2 PLACES ± --- ± ---	MDABROWSKA 2009/05/05	DOCUMENT NO.			
	1 PLACE ± --- ± ---	APPROVED BY DATE	SHEET NO.			
	ANGULAR ± --- °	MWOLSZCZAK 2009/05/05	A03XXX			
		MATERIAL NO.	1 OF 1			
			SEE DRAWING			
			THIS DRAWING CONTAINS INFORMATION THAT IS PROPRIETARY TO MOLEX INCORPORATED AND SHOULD NOT BE USED WITHOUT WRITTEN PERMISSION			

9 8 7 6 5 4 3 2 1



WIRING CONFIGURATION



THIS DRAWING CONTAINS INFORMATION THAT IS PROPRIETARY TO MOLEX ELECTRONIC TECHNOLOGIES, LLC AND SHOULD NOT BE USED WITHOUT WRITTEN PERMISSION													
SYMBOLS		DIMENSION UNITS		SCALE		CURRENT REV DESC:							
∇	= 0	mm		1:1		molex A03XXX ADAPTORS SERIES A03XXX FOR DIN INDUSTRIAL PRODUCT CUSTOMER DRAWING							
∇	= 0	GENERAL TOLERANCES (UNLESS SPECIFIED)											
∇	= 0	ANGULAR TOL ± °											
∇	= 0	4 PLACES	±							EC NO: 606094			
∇	= 0	3 PLACES	±							DRWN: MCELEJEWSKI	2018/10/17		
∇	= 0	2 PLACES	±							CHK'D: DSTACHOWIAK	2018/10/18		
∇	= 0	1 PLACE	±			APPR: DSTACHOWIAK	2018/10/18						
∇	= 0	DRAFT WHERE APPLICABLE MUST REMAIN WITHIN DIMENSIONS				THIRD ANGLE PROJECTION		DRAWING	SERIES	DOCUMENT NUMBER	DOC TYPE	DOC PART	REVISION
∇	= 0					A4-SIZE		121001	SD-121001-003	PSD	001	A1	

DOCUMENT STATUS	P1	RELEASE DATE	2018/10/18	15:25:52
-----------------	----	--------------	------------	----------

PART No MATRIX

A 0 3 X X X

INTERNAL CIRCUIT

VOLTAGE AND LED COLOR

1= 12V	A= 12V	G= 12V
2= 24V	B= 24V	H= 24V
3= 48V	C= 48V	K= 48V
4= 115V	D= 115V	L= 115V
5= 230V	E= 230V	M= 230V

RED LED GREEN LED YELLOW LED

PART LIST

MOLEX PN	ENG. NO	CIRCUIT TYPE	LED COLOR
1210010077	A03A12	A1 24V	RED
1210010079	A03A14	A1 115V	RED
1210010081	A03A1H	A1 24V	YELLOW
1210010082	A03A1L	A1 115V	YELLOW
1210010085	A03C32	C3 24V	RED
1210010089	A03C3B	C3 24V	GREEN
1210010091	A03C42	C4 24V	RED
1210010093	A03C44	C4 115V	RED
1210010094	A03C45	C4 230V	RED
1210010095	A03C4B	C4 24V	GREEN
1210010098	A03C4H	C4 24V	YELLOW
1210010099	A03C4L	C4 115V	YELLOW
1210010100	A03C4M	C4 230V	YELLOW
1210010102	A03G22	G2 24V	RED
1210010107	A03G2D	G2 115V	GREEN
1210010109	A03G2H	G2 24V	YELLOW
1210010110	A03G2L	G2 115V	YELLOW
1210010402	A03G2M	G2 230V	YELLOW
1210010424	A03C3H	C3 24V	YELLOW
1210010432	A03S0H	S0 24V	YELLOW

BOM

ITEM	QTY	DESCRIPTION	MATERIAL	FINISH/COLOR
5	1	DISTANZIALE LED	-	-
4	1	PCB WITH COMPONENT	-	SEE PART LIST
3	1	CORPO STAMPATO	-	BLACK
2	-	EPOXY ER2188K5K	-	BLACK
1	-	EPOXY ER2188B	-	BLACK

DOCUMENT STATUS	P1	RELEASE DATE	2018/10/18	15:25:52
-----------------	----	--------------	------------	----------

THIS DRAWING CONTAINS INFORMATION THAT IS PROPRIETARY TO MOLEX ELECTRONIC TECHNOLOGIES, LLC AND SHOULD NOT BE USED WITHOUT WRITTEN PERMISSION															
SYMBOLS		DIMENSION UNITS		SCALE		CURRENT REV DESC:									
▽ = 0	mm	1:1		EC NO: 606094 DRWN: MCELEJEWSKI 2018/10/17 CHK'D: DSTACHOWIAK 2018/10/18 APPR: DSTACHOWIAK 2018/10/18 INITIAL REVISION: DRWN: JMARSZALEK 2013/02/08 APPR: MIWASIECZKO 2013/02/12											
▽ = 0	GENERAL TOLERANCES (UNLESS SPECIFIED)														
▽ = 0	ANGULAR TOL ± °														
▽ = 0	4 PLACES	±													
▽ = 0	3 PLACES	±													
▽ = 0	2 PLACES	±													
▽ = 0	1 PLACE	±													
▽ = 0	0 PLACES	±													
▽ = 0	DRAFT WHERE APPLICABLE MUST REMAIN WITHIN DIMENSIONS									THIRD ANGLE PROJECTION		DRAWING		SERIES	
▽ = 0										A4-SIZE		121001			
				DOCUMENT NUMBER		DOC TYPE		DOC PART		REVISION					
				SD-121001-003		PSD		001		A1					
				MATERIAL NUMBER		CUSTOMER		SHEET NUMBER							
				SEE SHEET 2		GENERAL MARKET		2 OF 2							



A03XXX ADAPTORS
SERIES A03XXX FOR DIN INDUSTRIAL

PRODUCT CUSTOMER DRAWING