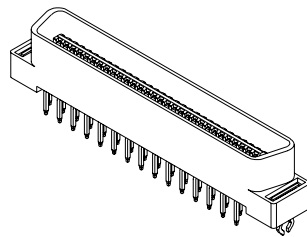
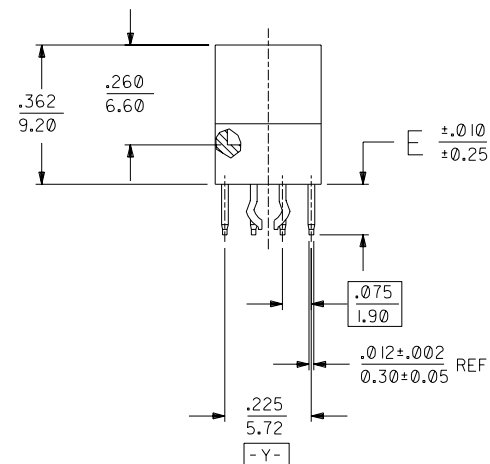
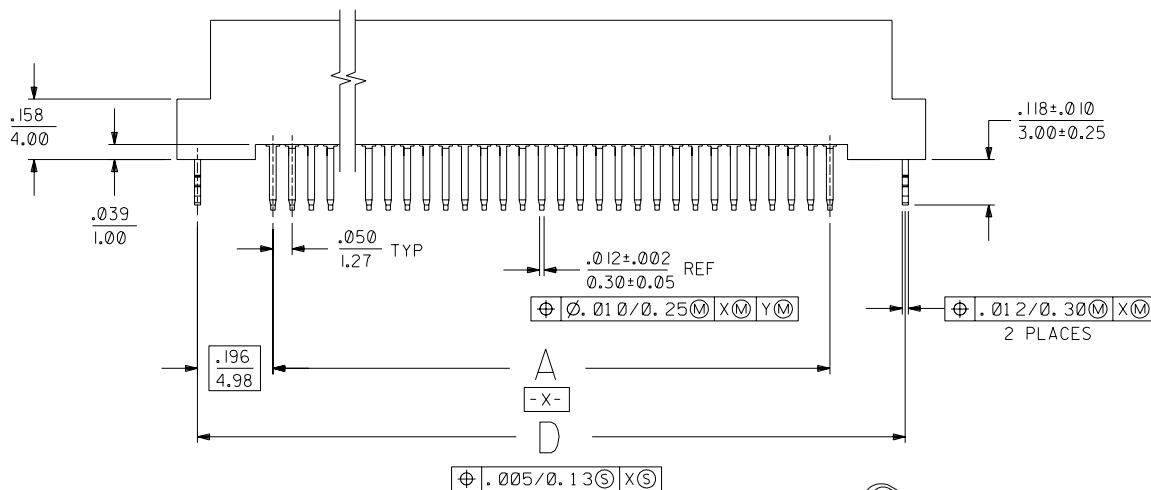
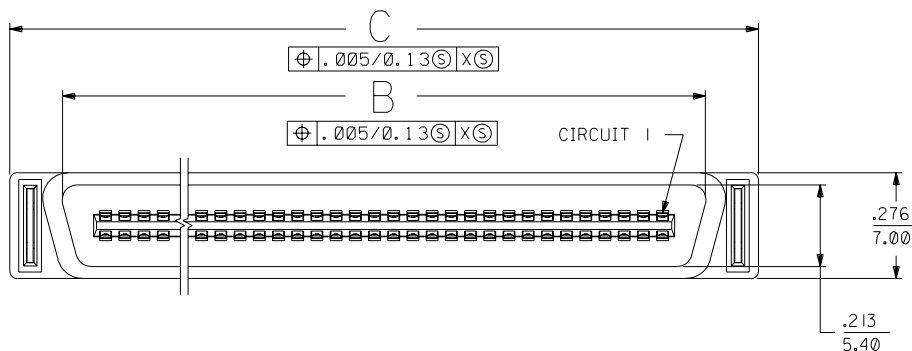


**NOTES:**

- 1) MATERIALS:  
 HOUSING - LIQUID CRYSTAL POLYMER (LCP), GLASS FILLED, UL94V-0, COLOR: BLACK  
 TERMINALS - COPPER ALLOY  
 METAL PEGS - COPPER ALLOY
- 2) TERMINAL FINISH:  
 30 MICROINCH/0.76 MICROMETER MINIMUM GOLD IN CONTACT AREA AND 100 MICROINCH/2.54 MICROMETER MINIMUM TIN IN SOLDER TAIL AREA. NICKEL UNDERPLATE OVER ENTIRE TERMINAL.
- 3) ASSEMBLY MATES WITH MOLEX P/N SDA-71660-\*\*\*\*. CONFORMS TO PRODUCT SPECIFICATION PS-71660.
- 4) PRODUCT IS PACKAGED PER SPECIFICATION PK-71660.

**NOTE FOR LEAD FREE CONVERSION:**

THE PRIMARY SHIPPING CARTON WILL BE LABELED "COMPLIANT TO ROHS DIRECTIVE 2002/95/EC AND ELV ANNEX II OF DIRECTIVE 2000/53/EC". CARTONS WITHOUT THIS LABEL MAY CONTAIN PRODUCT WITH LEAD.



60 CIRCUIT ASSEMBLY SHOWN  
SCALE - 2:1

E	LEAD FREE CONV ECN UCP2004-2096 RKADAMS 04/04/26
D	REVISED PER ECN U60641 11-28-95 DRS
C	REVISED PER ECN U40506 4-15-94 RAN
B	REVISED PER ECN U31755 12-3-93 RAN
A	INITIAL RELEASE PER ECN U30874 5-18-93 RAN

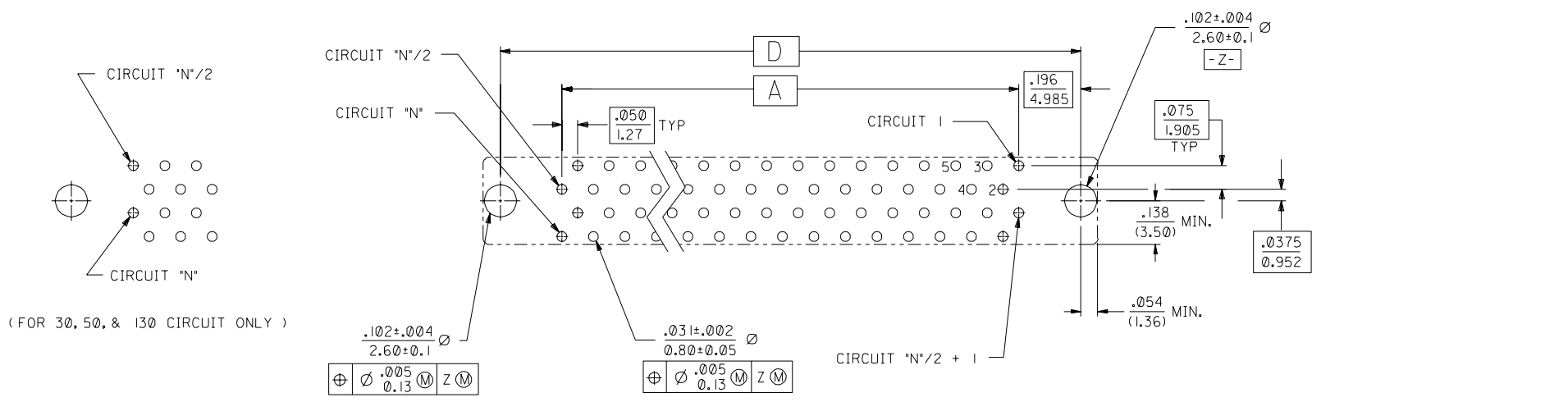
2	D			
1	E			
MFG.	SH.	REV.	LTR.	REVISIONS

DIMENSIONS SHOWN (METRIC) INCH UNLESS OTHERWISE SPECIFIED TOLERANCES: ANGULAR ± 1/2°		▽ = 0    ▽ = 0    REVERSE ONLY ON CAD SYSTEM	
3 PLACE	± .005	---	---
2 PLACE	± .01	± 0.13	---
1 PLACE	---	± 0.25	---
DRAFT WHERE APPLICABLE MUST REMAIN WITHIN DIMENSIONS		SEE TABLE	
DRWG. BY RAN	CHK'D. BY RAN	FILE NAME 571661K9	SHEET NO. DATE 1 OF 2 4/23/93
APP'D. BY CAB	SCALE 4: 1	THIS DRAWING CONTAINS INFORMATION THAT IS PROPRIETARY TO MOLEX INC. AND SHOULD NOT BE USED WITHOUT WRITTEN PERMISSION.	

71661

A

I3 I2 I1 I0 9 8 7 6 71661 4 3 2 I



RECOMMENDED PC BOARD LAYOUT  $\Delta$   
 COMPONENT SIDE  
 (FOR 40, 60, 68, 80, 100, & 120 ONLY)

D	.110 (2.79)	3.592 (91.25)	3.699 (93.95)	3.426 (87.02)	3.200 (81.28)	130	71661-9430
	.110 (2.79)	3.342 (84.90)	3.449 (87.60)	3.176 (80.67)	2.950 (74.93)	120	71661-9420
	.110 (2.79)	2.842 (72.20)	2.949 (74.90)	2.676 (67.97)	2.450 (62.23)	100	71661-9400
	.110 (2.79)	2.342 (59.50)	2.449 (62.20)	2.176 (55.27)	1.950 (49.53)	80	71661-9380
	.110 (2.79)	2.042 (51.88)	2.149 (54.58)	1.875 (47.65)	1.650 (41.91)	68	71661-9368
C	.110 (2.79)	1.842 (46.80)	1.949 (49.50)	1.676 (42.57)	1.450 (36.83)	60	71661-9360
	.110 (2.79)	1.592 (40.45)	1.699 (43.15)	1.426 (36.22)	1.200 (30.48)	50	71661-9350
	.110 (2.79)	1.342 (34.10)	1.449 (36.80)	1.176 (29.87)	.950 (24.13)	40	71661-9340
	.110 (2.79)	1.092 (27.75)	1.199 (30.45)	.925 (23.52)	.700 (17.78)	30	71661-9330
	.134 (3.40)	3.592 (91.25)	3.699 (93.95)	3.426 (87.02)	3.200 (81.28)	130	71661-9130
	.134 (3.40)	3.342 (84.90)	3.449 (87.60)	3.176 (80.67)	2.950 (74.93)	120	71661-9120
B	.134 (3.40)	2.842 (72.20)	2.949 (74.90)	2.676 (67.97)	2.450 (62.23)	100	71661-9100
	.134 (3.40)	2.342 (59.50)	2.449 (62.20)	2.176 (55.27)	1.950 (49.53)	80	71661-9080
	.134 (3.40)	2.042 (51.88)	2.149 (54.58)	1.875 (47.65)	1.650 (41.91)	68	71661-9068
	.134 (3.40)	1.842 (46.80)	1.949 (49.50)	1.676 (42.57)	1.450 (36.83)	60	71661-9060
	.134 (3.40)	1.592 (40.45)	1.699 (43.15)	1.426 (36.22)	1.200 (30.48)	50	71661-9050
A	.134 (3.40)	1.342 (34.10)	1.449 (36.80)	1.176 (29.87)	.950 (24.13)	40	71661-9040
	.134 (3.40)	1.092 (27.75)	1.199 (30.45)	.925 (23.52)	.700 (17.78)	30	71661-9030
	E	D	C	B	A	CKT ("N")	ITEM NUMBER

---D--- SEE SHEET ---  
 ---C--- SEE SHEET ---

DIMENSIONS SHOWN (METRIC) INCH		UNLESS OTHERWISE SPECIFIED TOLERANCES ANGULAR $\pm 1/2^\circ$		REVISIONS	
3 PLACE $\pm .005$	INCH	METRIC	---	MFG. SH.	REV. LTR.
2 PLACE $\pm .01$	$\pm 0.13$				
1 PLACE ---	$\pm 0.25$				
DRAFT WHERE APPLICABLE MUST REMAIN WITHIN DIMENSIONS				TITLE: SALES_ASSEMBLY_EBBI 50D VERTICAL PLUG W/O CENTER BOARD LOCK & POLAR PEG FROM: MOLEX INCORPORATED L15LE.ILL. 60532 U.S.A. SHEET NO. 2 DATE 4/23/93 PART NO. SEE TABLE DRWG. NO. SDA-71661-9***	
DRWG. BY: RAN	CHK'D. BY: RAN	FILE NAME: 57166189	SCALE: 4:1	THIS DRAWING CONTAINS INFORMATION THAT IS PROPRIETARY TO MOLEX INC. AND SHOULD NOT BE USED WITHOUT WRITTEN PERMISSION.	

I3 I2 I1 I0 9 8 7 6 5 4 3 2 I