

MODEL: CES-39209-28PM | **DESCRIPTION:** SPEAKER**FEATURES**

- 2 W rated power
- 8 ohm rated impedance
- panel mount

**SPECIFICATIONS**

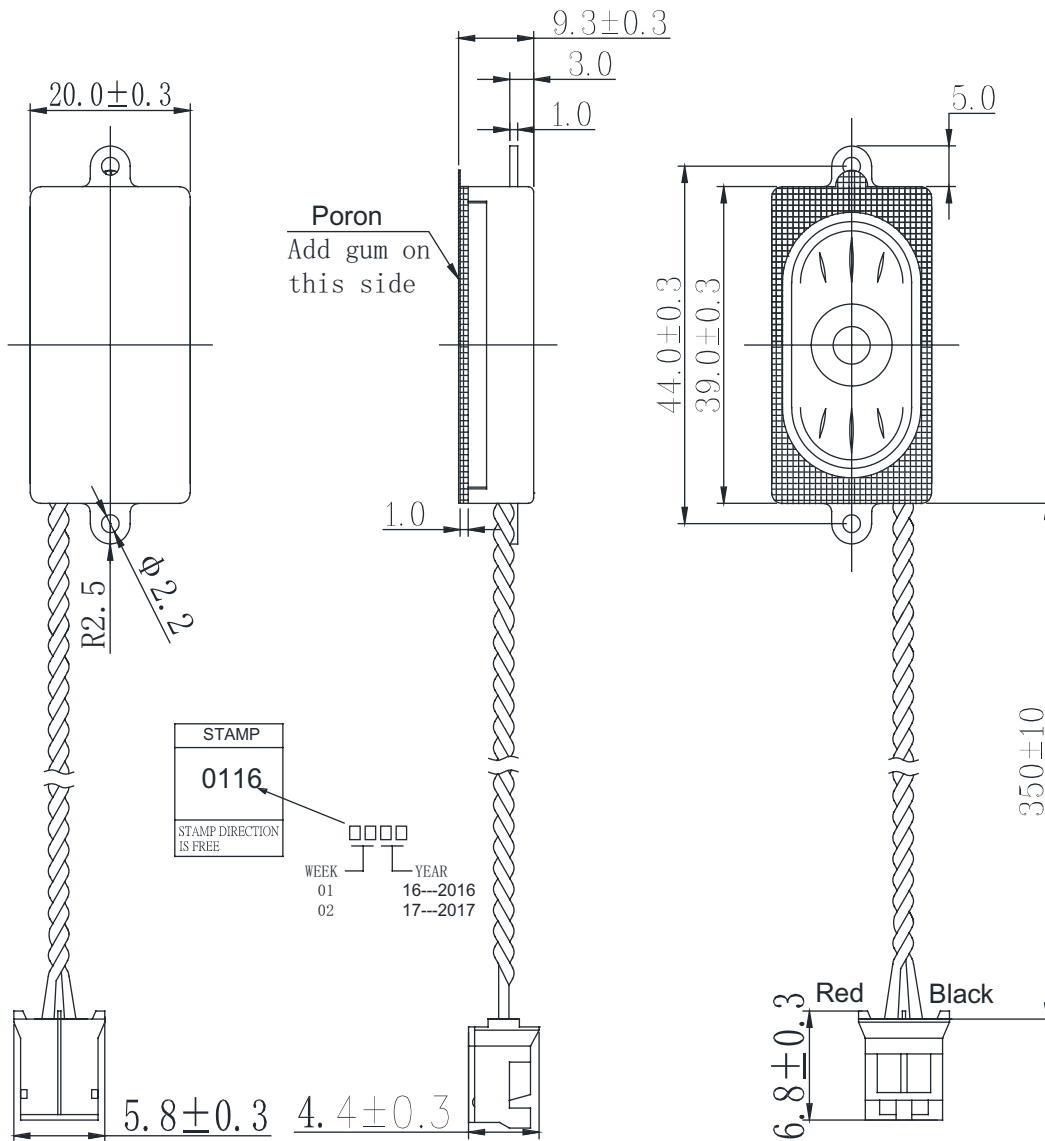
parameter	conditions/description	min	typ	max	units
input power	max power: IEC-60268-5, filter 60 seconds on, 120 seconds off, 10 cycles (room temp)		2.0	2.5	W
impedance	at 2.0 kHz	6.8	8	9.2	Ω
resonant frequency (Fo)	at 1.0 V	960	1,200	1,440	Hz
frequency response		Fo		20,000	Hz
sound pressure level	at 0.1 W, 0.1 m, avg at 1.2, 1.5, 2.0, 2.5 kHz at 2.0 W, 0.1 m, avg at 1.2, 1.5, 2.0, 2.5 kHz	85 94	88 97	91 100	dB dB
distortion	at 2.0 kHz, 0.1 W, 10 cm			10	%
buzz, rattle, etc.	must be normal at sine wave, frequency range			4.0	V
polarity	cone moves forward w/ positive dc current to "+" terminal				
dimensions	39.0 x 20.0 x 9.3				mm
magnet	Nd-Fe-B				
enclosure material	PBT				
cone material	cloth				
terminal	wire leads with connector				
weight			8.0		g
operating temperature		-20		60	$^{\circ}$ C
storage temperature		-30		70	$^{\circ}$ C
RoHS	yes				

Notes: 1. All specifications measured at 25-75 $^{\circ}$ C, humidity at 45-85%, under 86-106 kPa pressure, unless otherwise noted.

MECHANICAL DRAWING

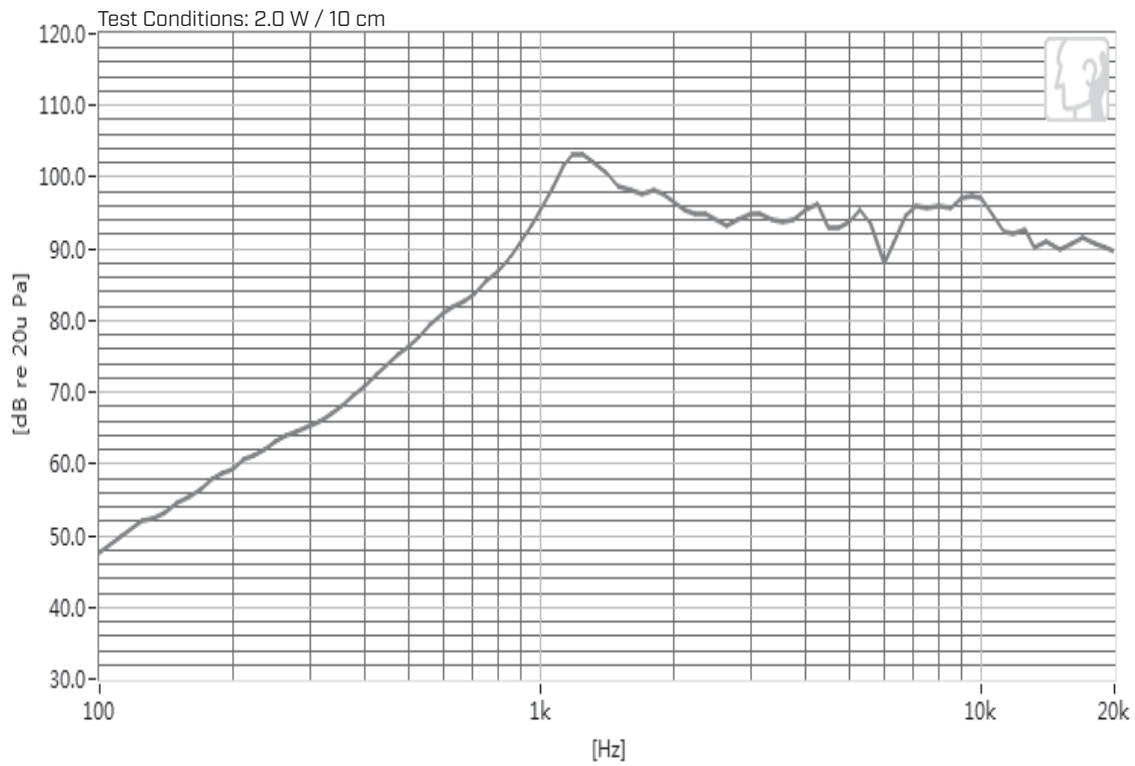
units: mm
tolerance: ± 0.2 mm

wire: UL1571 30 AWG
internal speaker: CMS-35206-158
connector: JVT 1124HND-02 P=2.0

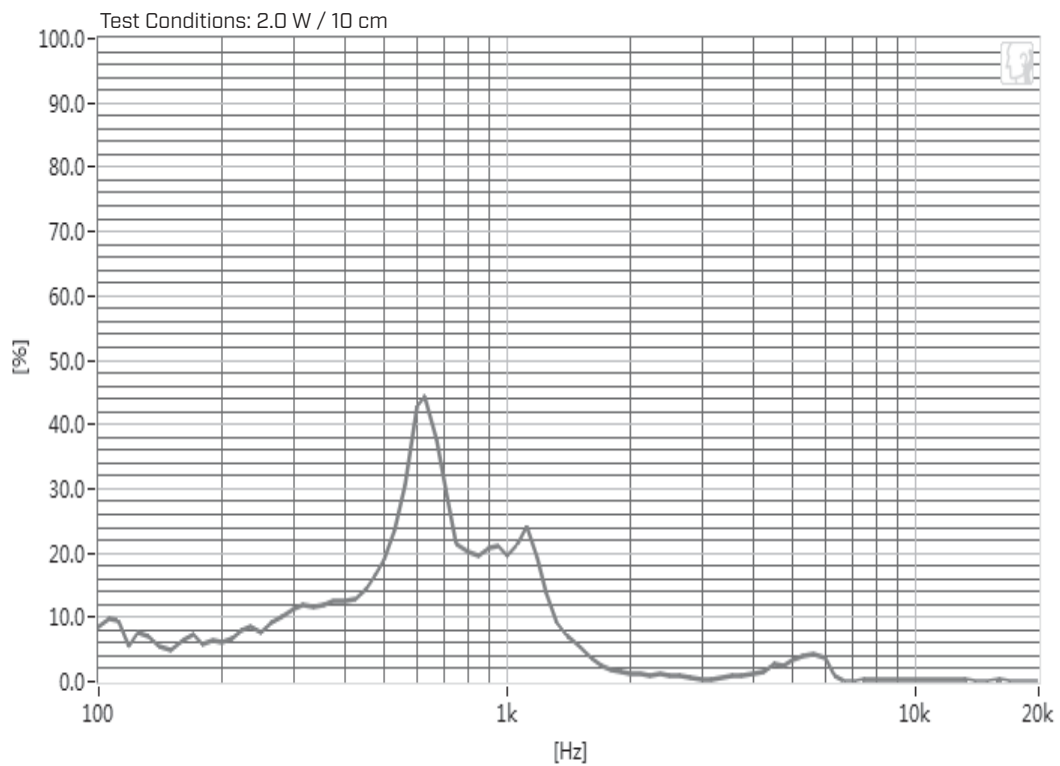


RESPONSE CURVES

Frequency Response Curve



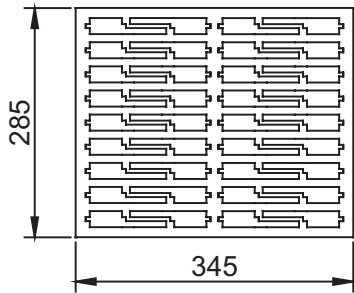
Total Harmonic Distortion Curve



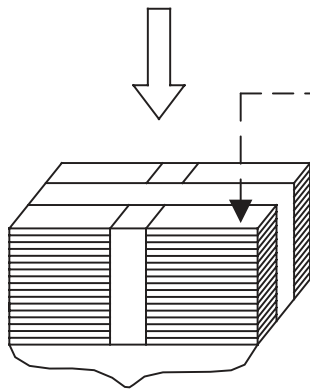
PACKAGING

units: mm

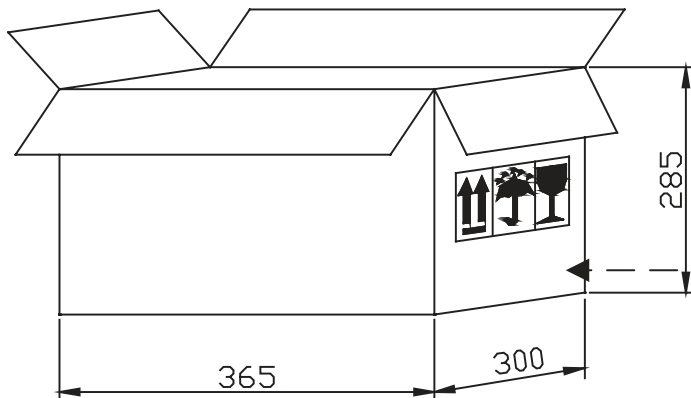
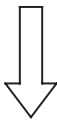
Tray Size: 345 x 285 mm
 Tray QTY: 36 pcs per tray
 Carton Size: 365 x 300 x 285 mm
 Carton QTY: 540 pcs per carton



36pcs



540pcs



Lot No.	XXXXXXXXXX
Part No.	CUI Inv#. CUI Part#.
Quantity.	XXXX Pcs
Date:	DD MM YY
MADE IN CHINA	

RoHs Compliant

REVISION HISTORY

rev.	description	date
1.0	initial release	06/08/2020
1.01	logo, datasheet style update	08/05/2022

The revision history provided is for informational purposes only and is believed to be accurate.



CUI Devices offers a one (1) year limited warranty. Complete warranty information is listed on our website.

CUI Devices reserves the right to make changes to the product at any time without notice. Information provided by CUI Devices is believed to be accurate and reliable. However, no responsibility is assumed by CUI Devices for its use, nor for any infringements of patents or other rights of third parties which may result from its use.

CUI Devices products are not authorized or warranted for use as critical components in equipment that requires an extremely high level of reliability. A critical component is any component of a life support device or system whose failure to perform can be reasonably expected to cause the failure of the life support device or system, or to affect its safety or effectiveness.

cuidevices.com