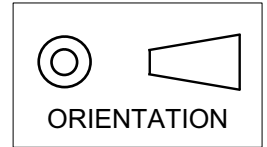


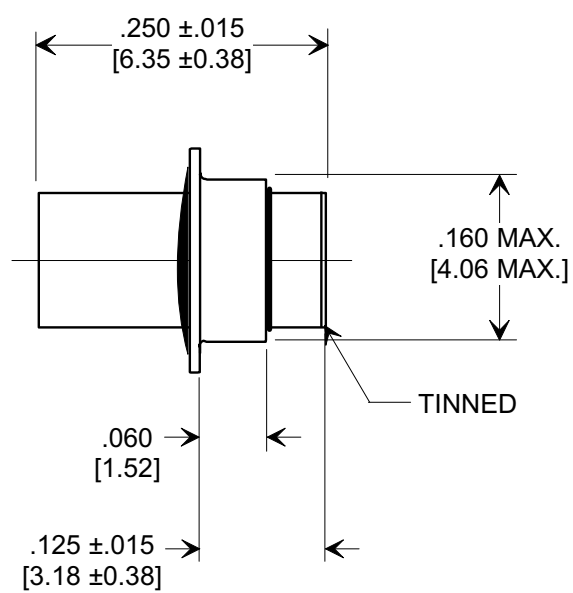
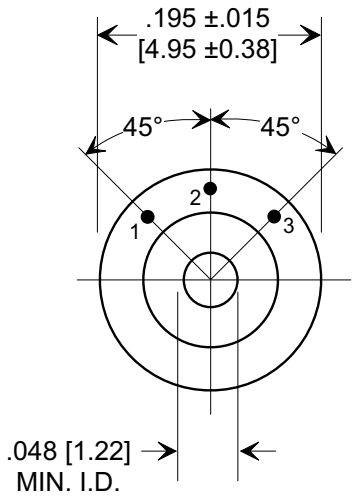
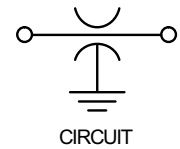
MARKETING SALES DRAWING

DIMENSIONS IN INCHES - DO NOT SCALE THIS DRAWING
DIMENSIONS IN METRIC - []

This drawing is the property of Tusonix, Inc., and may not be used, reproduced, published or disclosed to others without expressed authorization by Tusonix Inc.



Electrical Testing
per Tusonix standard
test plans and Mil-Std-202
Test Methods.



NOTES:

1. TUSONIX STANDARD PART NUMBER: 2482-012-X5U0-101M.
 TUSONIX RoHS COMPLIANT PART NUMBER: 2482-012-X5U0-101M LF.
 CUSTOMER MUST SPECIFY STANDARD OR RoHS PART NUMBER WHEN ORDERING.
2. EYELET FINISH: STANDARD PART #: 60/40 SOLDER PLATED. RoHS PART #: SILVER PLATED.
3. PART MARKING: STANDARD PART 3 DOT COLOR CODE. RoHS PART 3 DOT COLOR CODE AND GREEN DOT.

SPECIFICATIONS

TUSONIX STYLE:	2482-012
CAP. VALUE:	100 pF
CAP. TOL.:	± 20 %
TEMP. CHAR.:	X5U
OPERATING TEMP.:	-55° TO +85°C
OPERATING VOLT.:	300 WVDC
DIEL. WITHSTANDING VOLTAGE:	900 VDC FOR 2 SEC.

X-2015 Rev-0 REVISION RECORD Original Release C.O. 20060818-3-02	0

--TOLERANCES-- Unless Otherwise Specified	Title FEED-THRU CAPACITOR	
DECIMAL ± .015 [0.38]	Drawn	S.M. 08-21-06
ANGLES ±	Approved	T.C. 08-21-06
TUSONIX TUCSON, ARIZONA	A	2482-012-X5U0-101M

Scale 6 X